

MSD ... K

Protective motor switches



Attention!

Motor protection switches must not be mounted in an Ex area!



Motor protection switches

Motor protection switches with on-off switch, mains contactor and monitor lamp. The motor protection switches are standard designs in model D (3-phase) for 2.5 kW absorbed motor power.

Motor protection

If the maximum temperature of the motor's winding gets exceeded, the mounted PTC opens the circuit. The mains contactor drops and disconnect the motor. After the removal of the reason of disturbance the fan can only be restarted by using the 0-step of the controller.

After power failure

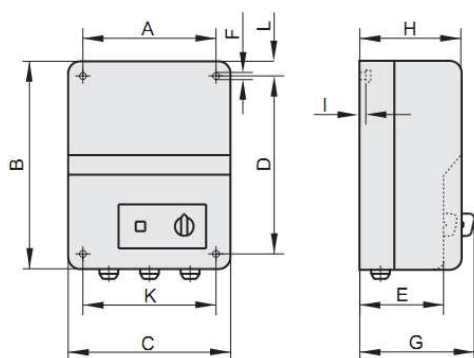
Switch on again is only possible after a first switch to the 0-step.

Design

Sturdy light grey plastic enclosure in protection class IP54.

Technical Data:

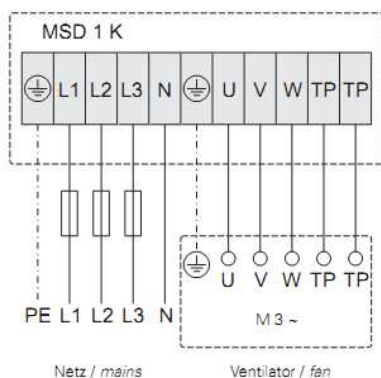
Dimensions:



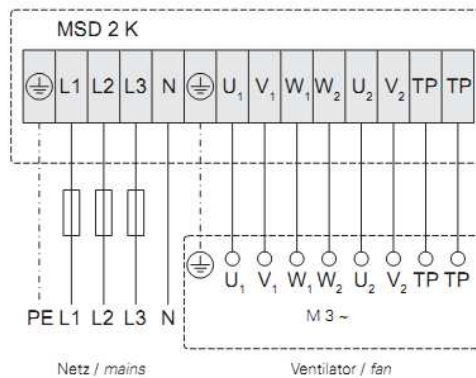
Type	Art.-No.	max. P [kW]	Weight [kg]	Protection class	A	B	C	D	E	F	G	H	I	K	L
MSD 1 K	H80-38033	2.5	0.7	IP 54	130	220	168	180	---	6	145	120	5	130	20
MSD 1 K 5.5	H80-38036	5.5	1.4	IP 54	130	220	168	180	---	6	145	120	5	130	20
MSD 2 K	H80-38034	2.5	0.7	IP 54	130	220	168	180	---	6	145	120	5	130	20

Wiring diagram:

01.102b



01.118b



Scope of delivery:

- Protective motor switches (MSD ... K)
- Documentation