

ABH-ME – Outlet Cover

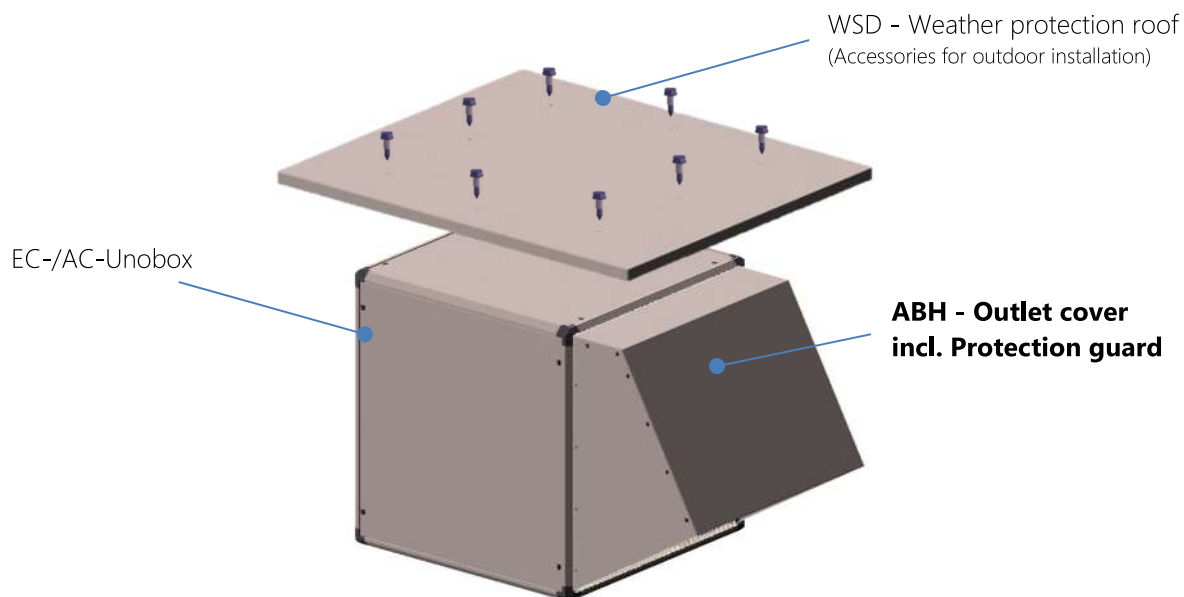
Accessories for Unobox-ME

Rain safe outlet cover made of corrosion-resistant aluminium, for installation in free-blowing unit e.g. for outdoor installation on the roof of buildings. The protection guard against ingress of small animals, leaves and other things.

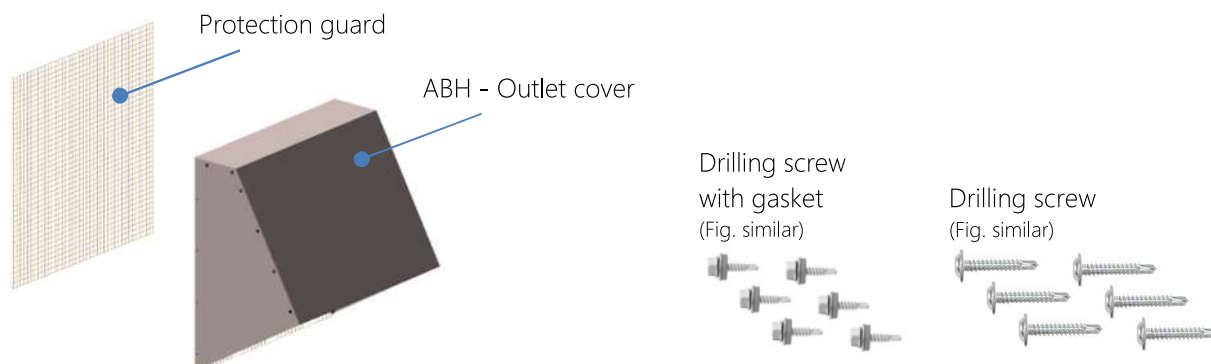


Delivery Information:

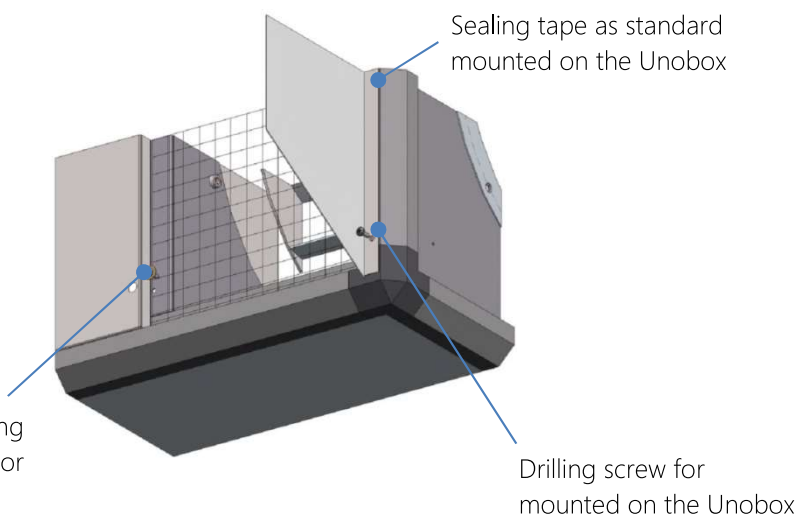
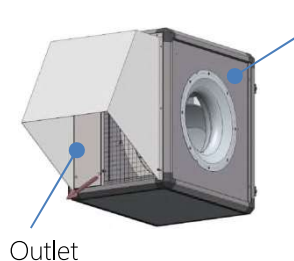
Outlet cover supplied **mounted** on the box:
(Specify when ordering)



Outlet cover supplied **loose**:



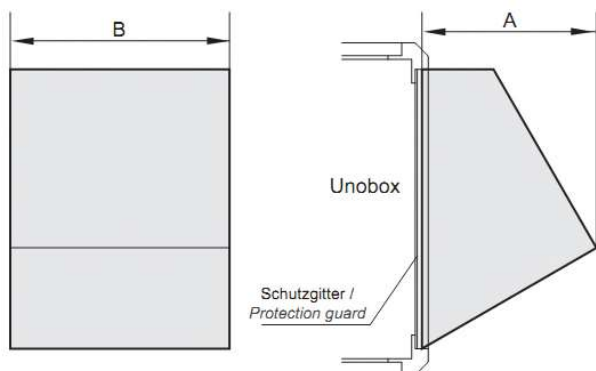
Installation Notes:



Drilling screw with gasket for mounting the protection guard on the Unobox or air damper.

Technical Data:

Dimensions:



Size	Type	Art.-No.	A [mm]	B [mm]	Weight [kg]
UNO-ME 50-355	ABH-ME 50	HAB500-0002N	300	340	1,4
UNO-ME 67-400	ABH-ME 67	HAB670-0002N	380	420	3,2
UNO-ME 67-450	ABH-ME 67	HAB670-0002N	380	420	3,2
UNO-ME 80-500	ABH-ME 80	HAB800-0002N	430	510	3,9
UNO-ME 80-560	ABH-ME 80	HAB800-0002N	430	510	3,9
UNO-ME 80-630	ABH-ME 80	HAB800-0002N	430	510	3,9
UNO-ME 102-630	ABH-ME 102	HAB100-0002N	520	800	4,8

Scope of Delivery:

- Outlet cover (ABH-ME)
- Protection guard (loose)
- Fixing material