

JKL-ME – Air damper

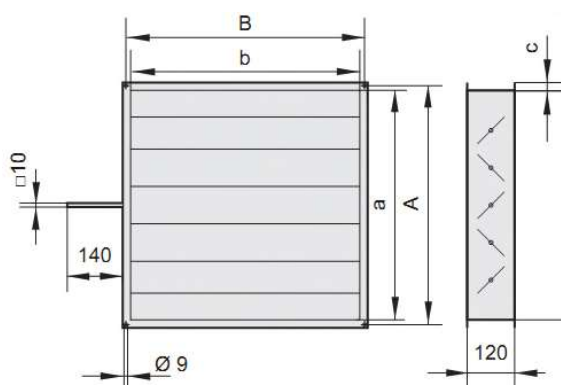
Accessories for Unobox-ME

For mounting on Unoboxes-ME. Casings made of galvanized sheet steel, lamellas of aluminium. Exterior adjusting lever for regulating mechanism of lamellas.



Technical Data:

Dimensions:



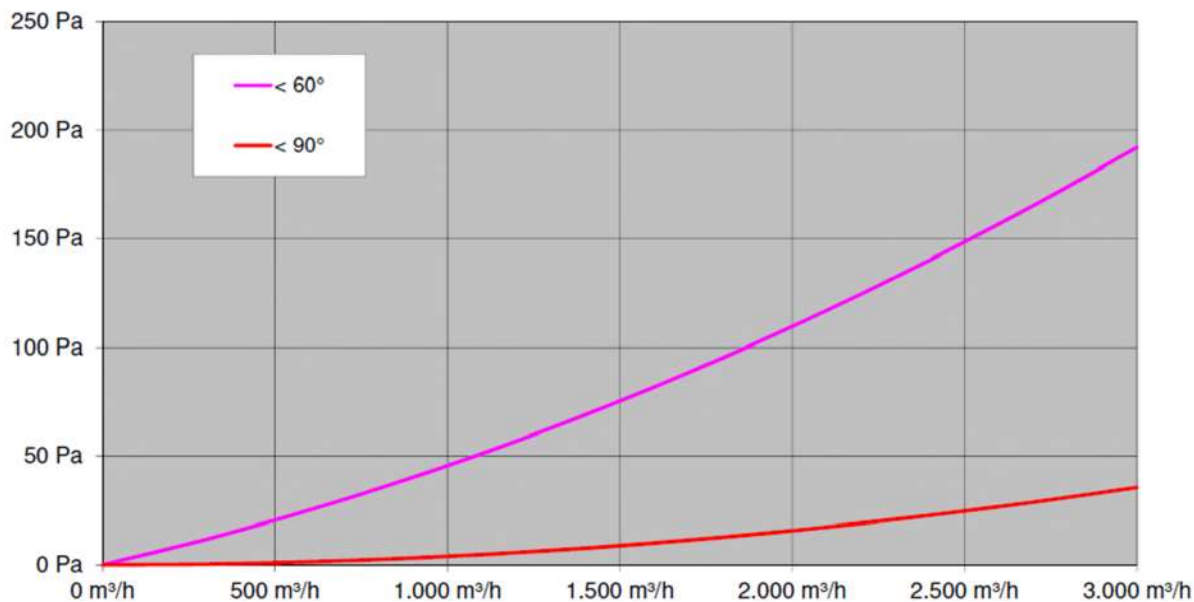
Size	Type	Art.-No.	a [mm]	b [mm]	A [mm]	B [mm]	c [mm]	Weight [kg]
ME 50-355	JKL-ME 50	JKL500-0004N	359	180	397	218	30	2,1
ME 67-400	JKL-ME 67	JKL670-0004N	529	220	567	258	30	3,8
ME 67-450	JKL-ME 67	JKL670-0004N	529	220	567	258	30	3,8
ME 80-500	JKL-ME 80	JKL800-0004N	659	300	697	338	30	5,8
ME 80-560	JKL-ME 80	JKL800-0004N	659	300	697	338	30	5,8
ME 80-630	JKL-ME 80	JKL800-0004N	659	300	697	338	30	5,8
ME 102-630	JKL-ME 102	JKL100-0003N	879	359	917	397	30	9,4

Scope of delivery:

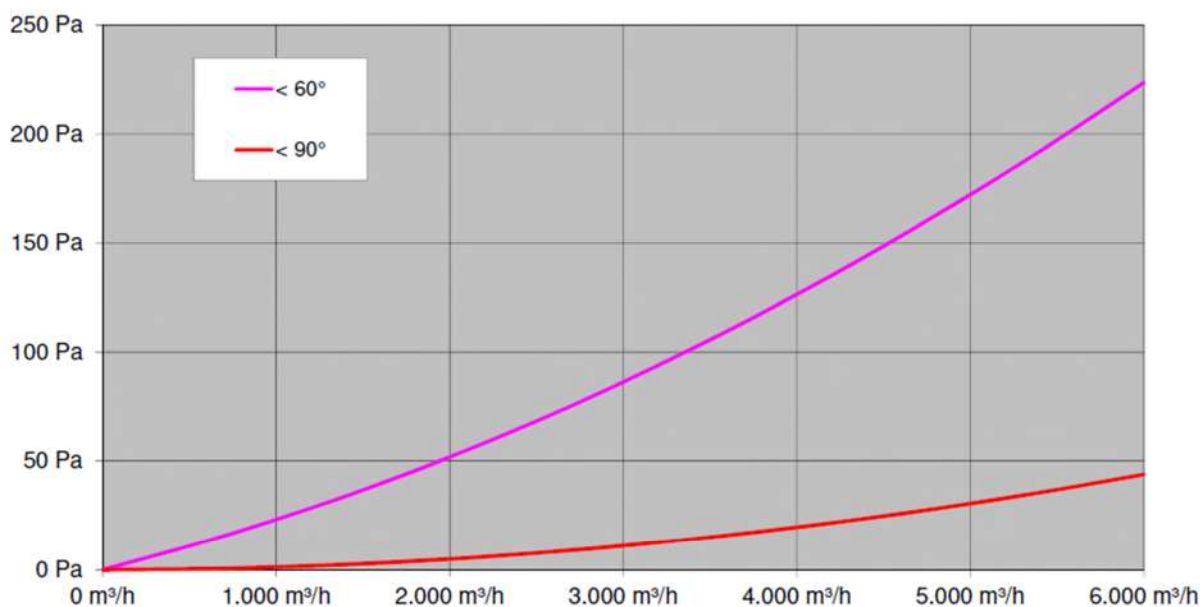
- Air damper (JKL-ME)

Pressure losses:

JKL 50

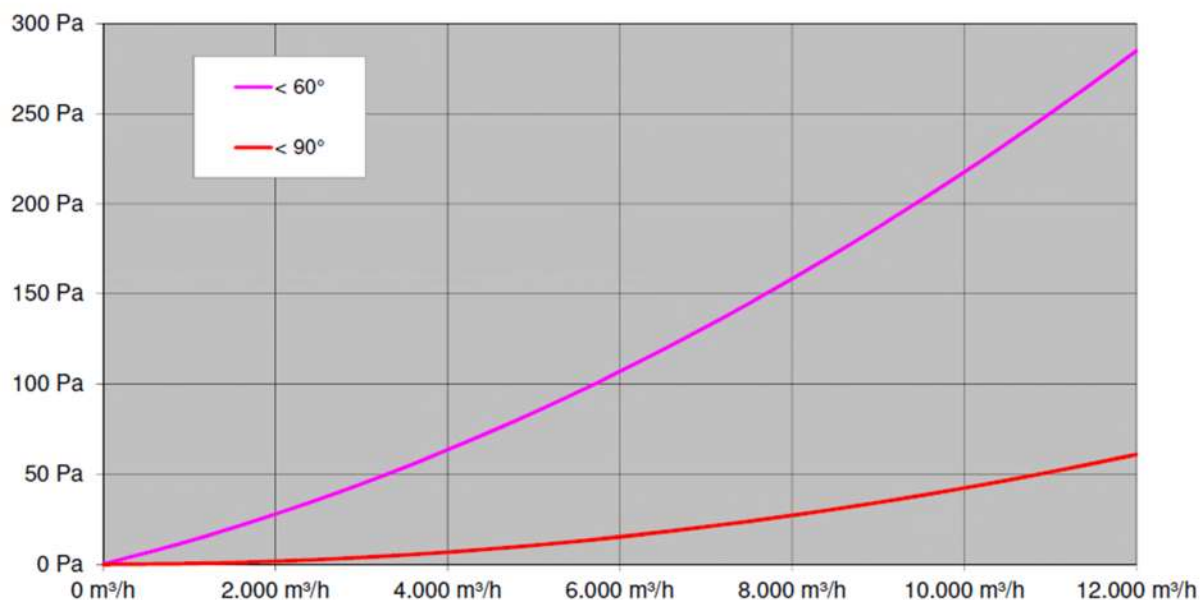


JKL 67



Pressure losses:

JKL 80



JKL 102

