

UGS – Adapter piece

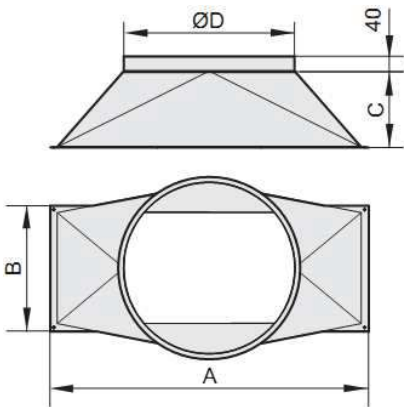
Accessories for Unobox-ME

Allows seamless intersection on outlet side on a standard diameter, made of galvanized sheet steel.



Technical Data:

Dimensions:



Size	Type	Art.-No.	A [mm]	B [mm]	C [mm]	Ø D [mm]	Hole [Pcs.]	Weight [kg]
ME 50-355	UGS 50	I21-05001	418	238	250	355	4	2,5
ME 67-400	UGS 67	I21-06701	588	278	280	450	6	2,9
ME 67-450	UGS 67	I21-06701	588	278	280	450	6	2,9
ME 80-500	UGS 80	I21-08001	718	358	320	560	6	3,8
ME 80-560	UGS 80	I21-08001	718	358	320	560	6	3,8
ME 80-630	UGS 80	I21-08001	718	358	320	560	6	3,8
ME 102-630	UGS 102	I21-10001	938	418	400	630	8	5,5

Scope of delivery:

- Adapter piece (UGS)