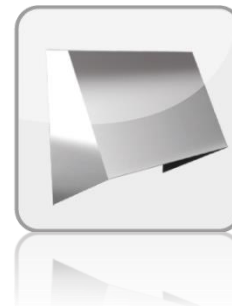


## ABH – Outlet cover

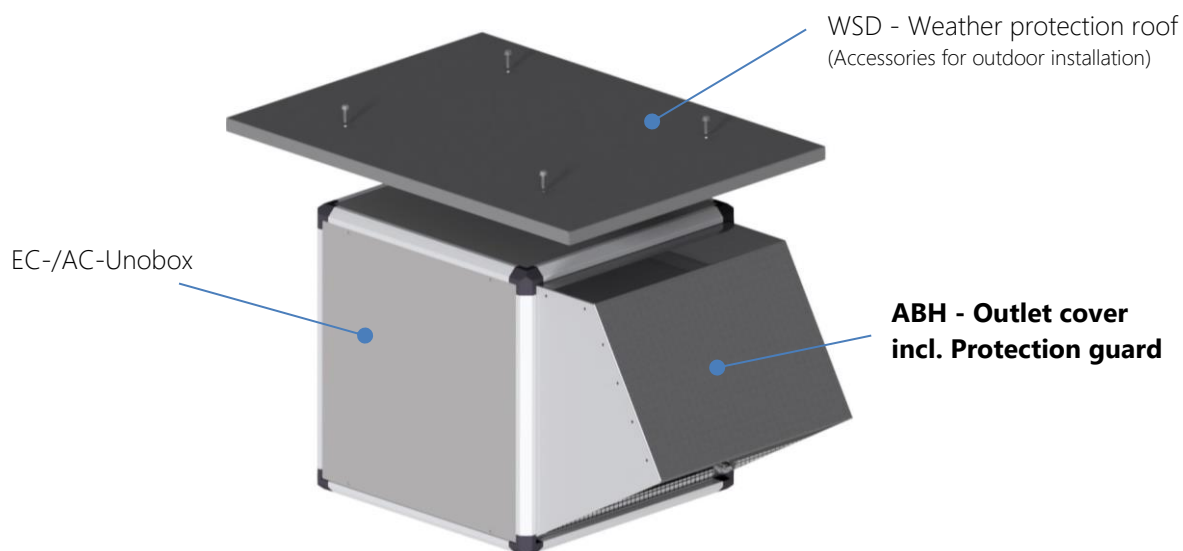
Accessories for Unoboxes

Rain safe outlet cover made of corrosion resistant aluminium, for installation in free-blowing unit e.g. for outdoor installation on the roof of buildings. The protection guard against ingress of small animals, leaves and other things.

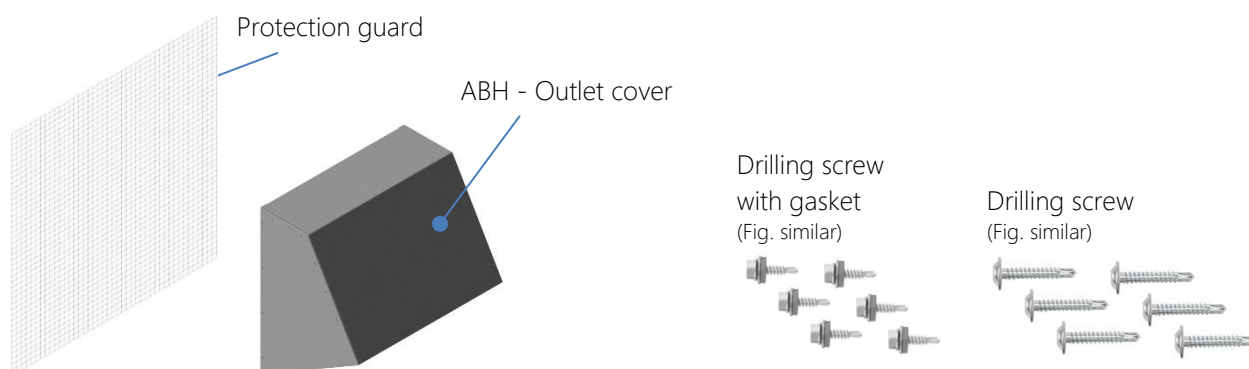


### Delivery information:

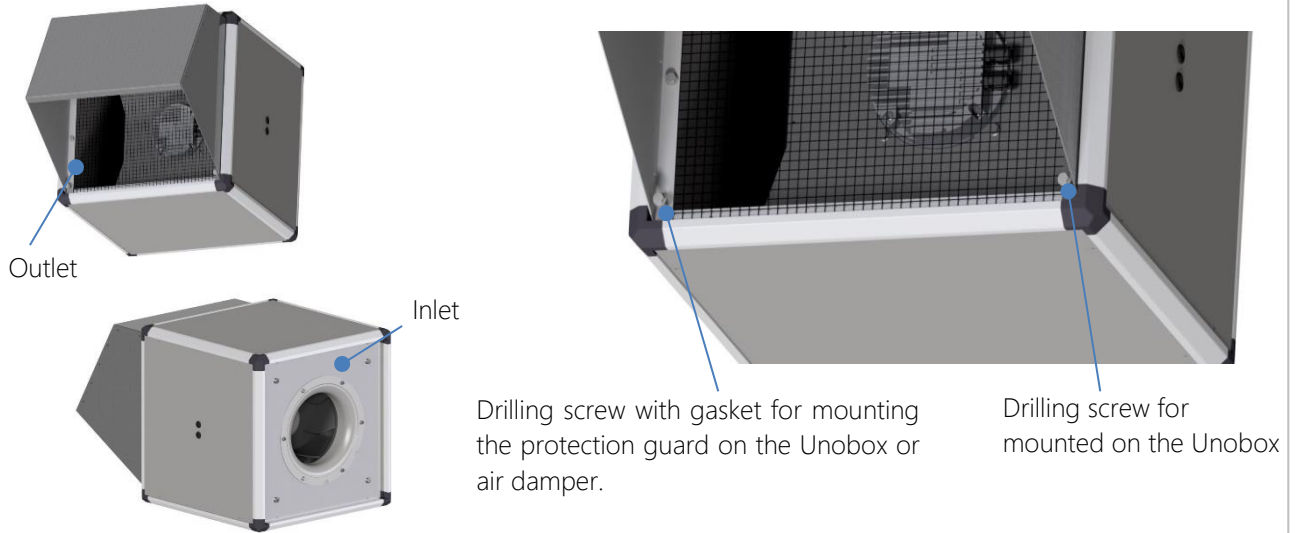
Outlet cover supplied **mounted** on the box:  
(Specify when ordering)



Outlet cover supplied **loose**:

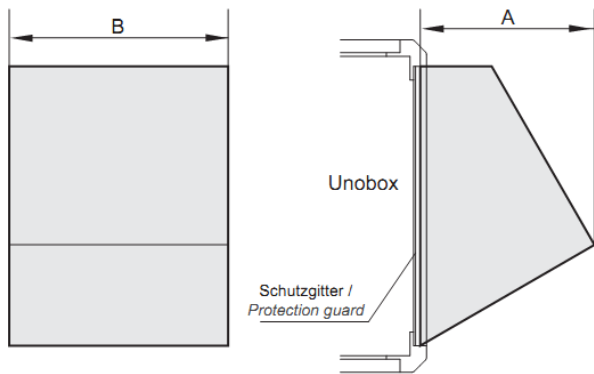


**Installation notes:**



**Technical Data:**

Dimensions:



Size	Type	Art.-No.	A [mm]	B [mm]	Weight [kg]
<b>UNO 50-355</b>	<b>ABH 50</b>	HAB501-0001N	300	450	1,6
<b>UNO 67-400</b>	<b>ABH 67</b>	HAB671-0001N	380	620	2,8
<b>UNO 67-500</b>	<b>ABH 67</b>	HAB671-0001N	380	620	2,8
<b>UNO 80-560</b>	<b>ABH 80</b>	HAB800-0001N	430	720	3,9
<b>UNO 80-630</b>	<b>ABH 80</b>	HAB800-0001N	430	720	3,9
<b>UNO 102-710</b>	<b>ABH 102</b>	HAB100-0001N	520	940	5,2

**Scope of delivery:**

- Outlet cover (ABH)
- Protection guard (loose)
- Fixing material