

RKD

5-Stage control Unit



Attention!

Controllers must not be mounted in an Ex area!



5-Stage control unit

Three-phase, 5-speed controller with mains contactor and monitor light for speed regulation with transformer of voltage controlled motors / fans. With the step switch, which is built into the controller, five different speeds can be adjusted on the connected motor / fan. Thus switch step 1 corresponds to the lowest, respectively switch step 5 corresponds to the highest speed. The controller's control circuit is protected by a fuse of 2A.

Motor protection

If the maximum temperature of the motor's winding gets exceeded, the mounted PTC opens the circuit. The mains contactor drops and disconnects the motor / fan from the mains power supply. After the cause of the interruption has been remedied, restarting is only possible at the 0-position on the 5-step switch.

After power failure

Switch on again is only possible after a first switch to the 0-step.

Design

RKD 1 / RKD 2 / RKD 3

Enclosure with aluminium die cast base and light grey plastic lid in protection class IP54.

RKD 5

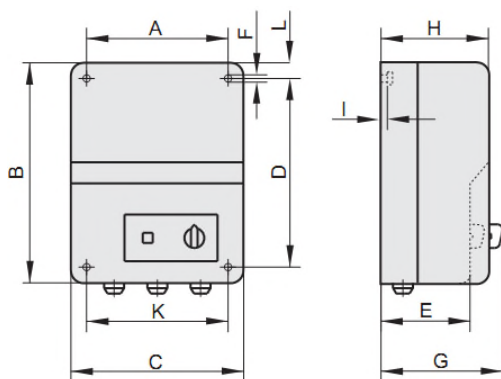
Plastic coated white sheet steel in enclosure in protection class IP54.

RKD 7 / RKD 10 / RKD 14

plastic coated grey sheet steel in enclosure in protection class IP54.

Technical Data:

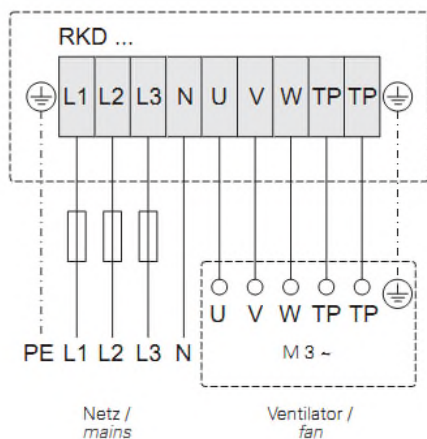
Dimensions:



Type	Art.-No.	max. current [A]	Weight [kg]	Protection class	A	B	C	D	E	F	G	H	I	K	L
RKD 1.2	H00-01208	1.2	6.5	IP 54	180	290	230	253	120	7	140	145	3.5	205	10
RKD 3.0	H00-03008	3.0	16.5	IP 54	180	290	230	253	120	7	140	145	3.5	205	10
RKD 5.0	H00-05008	5.0	18	IP 54	216	315	245	285	---	7	151	133	---	216	15
RKD 7.0	H00-07008	7.0	27	IP 54	315	410	380	345	---	7	173	155	---	315	33
RKD 10	H00-10008	10.0	32	IP 54	315	410	380	345	---	7	173	155	---	315	33
RKD 14	H00-14008	14.0	48	IP 21	357	600	400	557	---	7	220	200	---	357	21

Wiring Diagram:

01.208



Scope of Delivery:

- 5-Stage control unit (RKD)
- Documentation

Voltage Specification:

Current type	Input	Level	Voltage
Three phase	3~400V / 50Hz	1	140V
		2	180V
		3	230V
		4	280V
		5	400V