

TD

5-Stage transformer



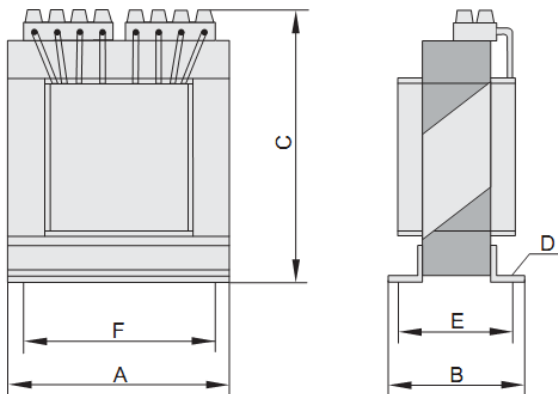
TD
Transformers for switch cabinet installation
(Three phase) 6 Tappings without case.

Design

- Non short circuit proof
- Installation feet and connection terminals
- Max. permitted ambient temperature +40°C
- Insulation class B
- Protection class IP20
- Mains frequency 50/60Hz

Technical Data:

Dimensions:

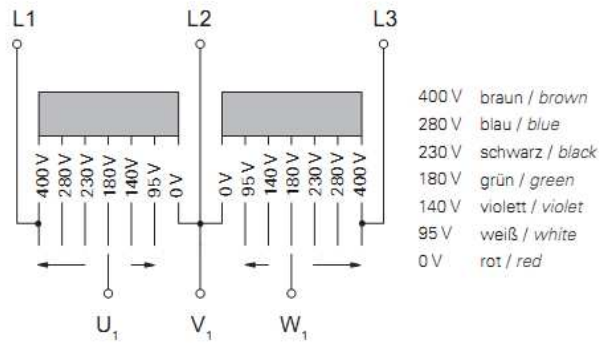


Type	Art.-No.	max. current [A]	Weight [kg]	Protection class	A	B	C	D	E	F	Remark
TD 1.0	H60-01000	1.0	4.0	IP 20	66	76	109	4.5x6.5	63	50	primary 400V
TD 3.0	H60-03000	3.0	10.0	IP 20	120	94	122	5.5x10.5	78	90	
TD 5.0	H60-05000	5.0	14.0	IP 20	135	102	130	5.5x10.5	86	110	
TD 7.0	H60-07001	7.0	18.0	IP 20	135	121	126	5.5x10.5	104	110	
TD 10	H60-10001	10.0	25.0	IP 20	135	150	130	5.5x10.5	133	110	
TD 14	H60-14001	14.0	34.0	IP 20	175	136	155	5.5x10.5	114	135	
TD 19	H60-19000	19.0	35.0	IP 20	180	163	180	11x6.5	130	155	secondary 400, 280, 230 , 180, 140, 95 V
TD20	H60-20000	20	Technical data on request								
TD 30	H60-30000	30									

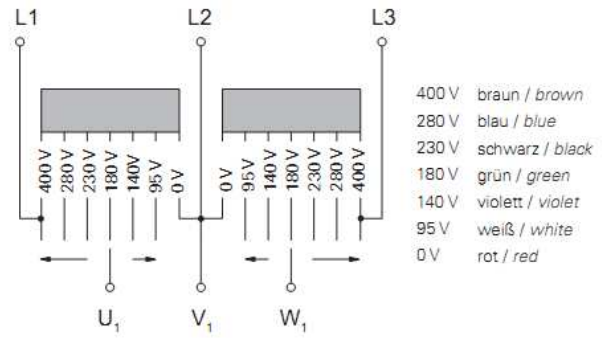
Wiring diagram:

01.214

3 ~ Transformator / 3 ~ Transformer



3 ~ Transformator / 3 ~ Transformer



Scope of delivery:

- 5-Stage transformer (TD)
- Documentation
- TD (Art.-No. H60-...) already contain two transformers