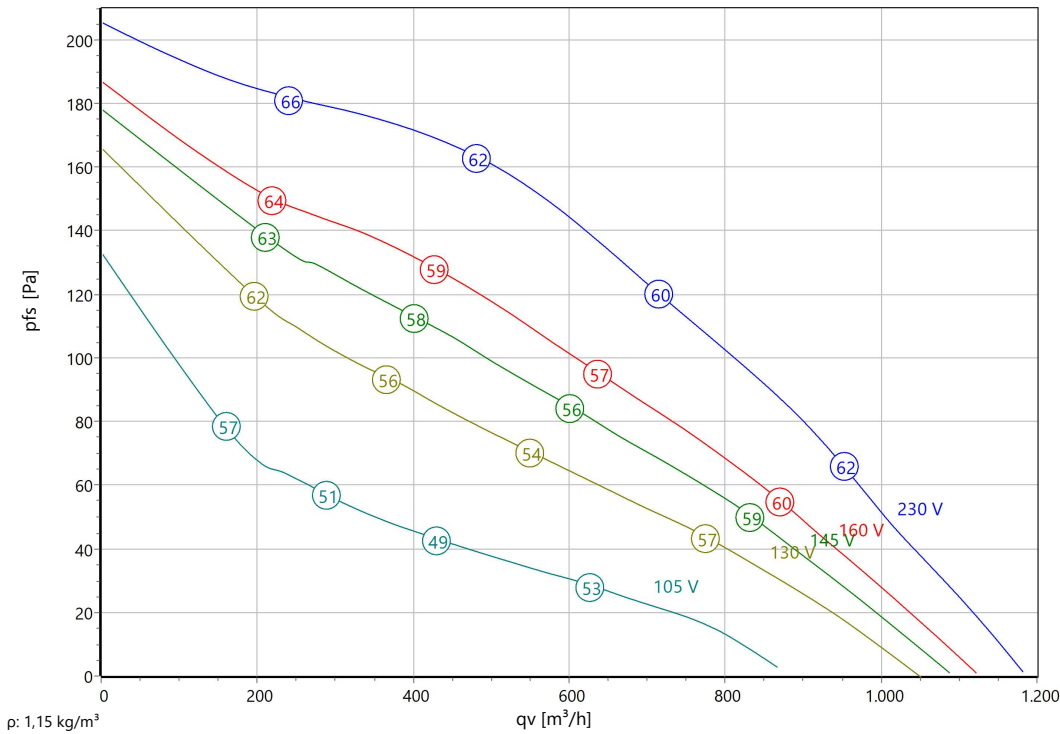




Type: **DV 280-4 E.3EF GS4**
Part no.: A01-28008



Curve:



ErP-Data:

(EU) Nr. 1253/2014	(Lot6)
qV	674 m³/h
pfs	129 Pa
ηfs	27,1 %
Pe	0,09 kW
n	1356 r/min
N	42
v	1,33 m/s
ηfs Lot11	24,5 %

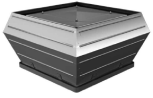
Nominal Data:

U [V]	f [Hz]	C [μF]	Pe [kW]	IN [A]	nN [r/min]	tR [°C]	k10 [m²s/h]	IA / IN	IP	m [kg]
1~ 230	50	3	0,09	0,43	1350	-25 .. +70	-	2	IP 44	14,5

ΔI 8 %

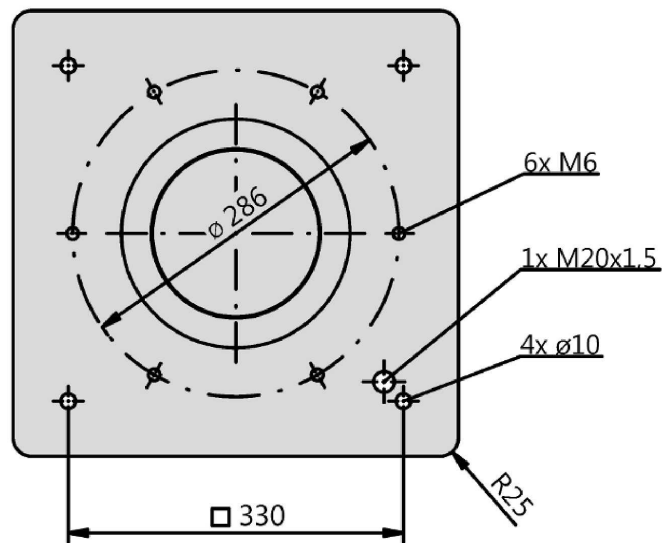
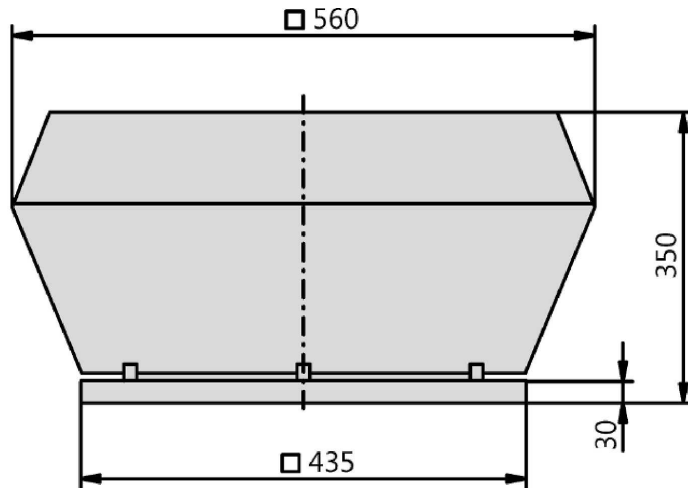
Sound Data:

Frequency	Σ	63Hz	125Hz	250Hz	500Hz	1kHz	2kHz	4kHz	8kHz	Distances	1 m	5 m
LwA(A,in) [dB(A)]	-4	-39	-29	-14	-11	-8	-11	-15	-22	LpA(A,in) [dB(A)]	-11	-22
LwA(A,out) [dB(A)]		-37	-29	-11	-7	-5	-5	-11	-21	LpA(A,out) [dB(A)]	-7	-18



Type: **DV 280-4 E.3EF GS4**

Part no.: A01-28008





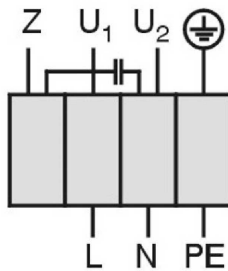
Type: **DV 280-4 E.3EF GS4**
 Part no.: A01-28008



Einphasenwechselstrommotor mit Betriebskondensator und Thermostatschalter.
 Thermostatschalter intern mit der Wicklung in Reihe geschaltet.

Single phase A.C. motor with operating capacitor and thermostatic switch.
Thermostatic switch internal wired in series with windings.

Moteur monophasé avec condensateur permanent et interrupteur
thermostatique en série avec le bobinage en cas de branchement



U₁ blau / blue / bleu
 U₂ schwarz / black / noir
 Z braun / brown / brun
 PE gelb-grün
 yellow-green
 jaun-vert

TK3-20005

01.009

Roof fan

vertical outlet

Rain protection cover and square housing made of aluminium. Base frame equipped with threaded bolts for tightening accessories on suction side and a bended inlet cone, manufactured of galvanized sheet metal. Impeller made of Polypropylene (PP) UL94 V-0 with backward curved blades. Direct-driven single-phase alternating current motor and three-phase motor with class F insulation system. For single-phase motors, motor protection is provided by thermal contacts built into the winding and connected in series. Three-phase motors have no internal protection system and must be connected to an external protection system. When using an electronic voltage control unit or a frequency converter, a sine filter must be used. Maintenance-free ball bearings, closed on both sides, with long-term lubrication. Motorized Impeller statically and dynamically balanced according to DIN ISO 21940-11 with quality level G2.5. The electrical connection is possible over the mounted ON/OFF-switch. Air volume control is possible by the use of a step transformer (accessory).

Fan complies with the guidelines required (Machinery-, EMC- and Low Voltage Directive) to comply with installation and conformity declaration as well as CE marking.

Nominal Data:

Voltage

1~ 230 V

Frequency

50 Hz

Input power

0,09 kW

Current

0,43 A

Speed

1350 r/min

Medium temperature

70 °C

Protection Mode

IP 44

Weight

14,5 kg

Dimensions

560 mm / 560 mm / 330 mm

Contact:

Rosenberg Ventilatoren BV

Elandlaan 8

NL - 3734 CP Den Dolder

www.rosenberg.nl

Type:

DV 280-4 E.3EF GS4

Article-No.:

A01-28008