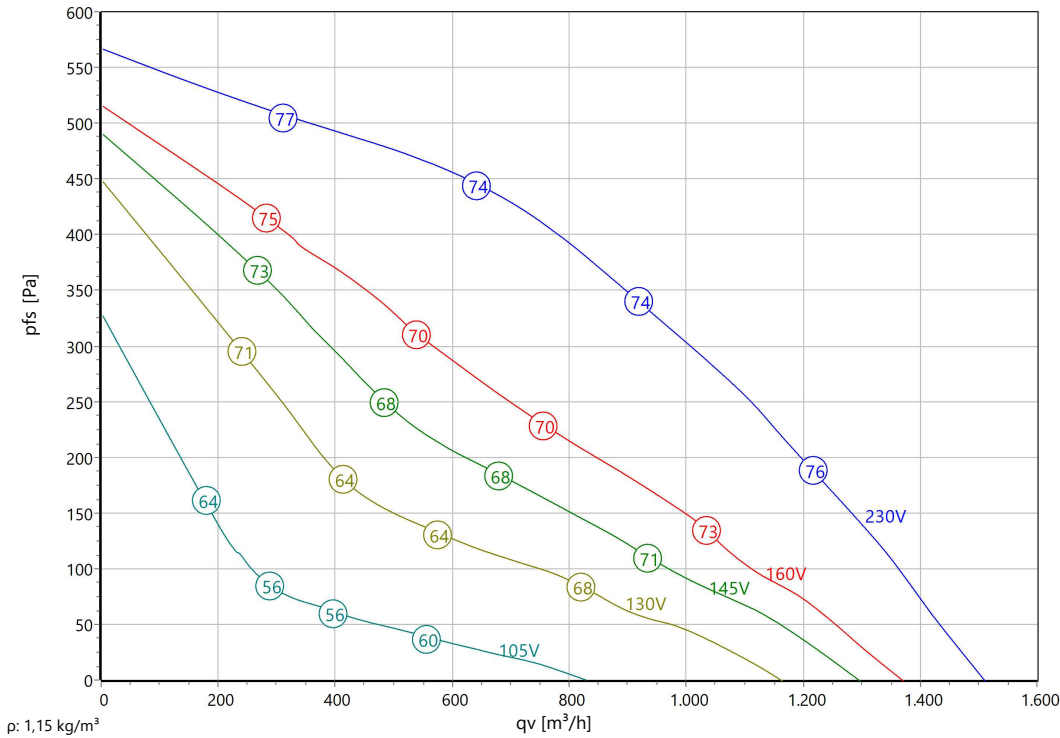




Type: **DVE 280-2 E.3EF GS4**
Part no.: A01-28009



Curve:



ErP-Data:

	(EU) Nr. 1253/2014	(Lot6)
qV	902	m³/h
pfs	347	Pa
ηfs	44,7	%
Pe	0,195	kW
n	2663	r/min
N	55	
v	3,93	m/s
ηfs Lot11	46,6	%

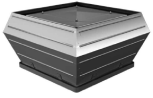
Nominal Data:

U [V]	f [Hz]	C [μF]	Pe [kW]	IN [A]	nN [r/min]	tR [°C]	k10 [m²s/h]	IA / IN	IP	m [kg]
1~ 230	50	6	0,195	0,85	2665	-25 .. +70	-	2	IP 44	13,5

ΔI 16 %

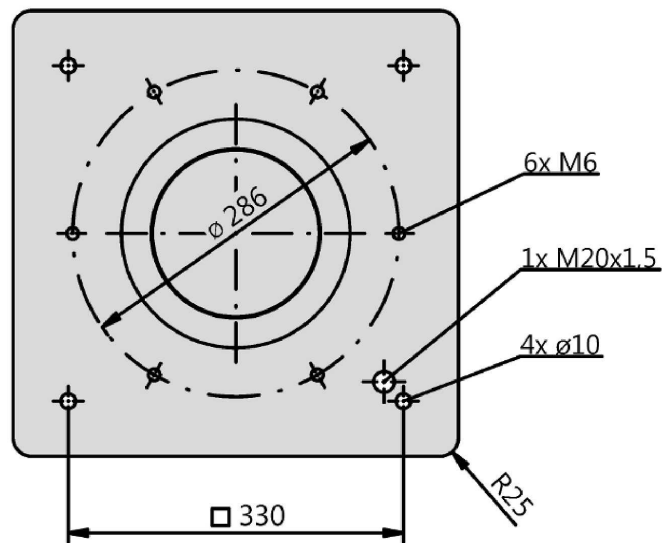
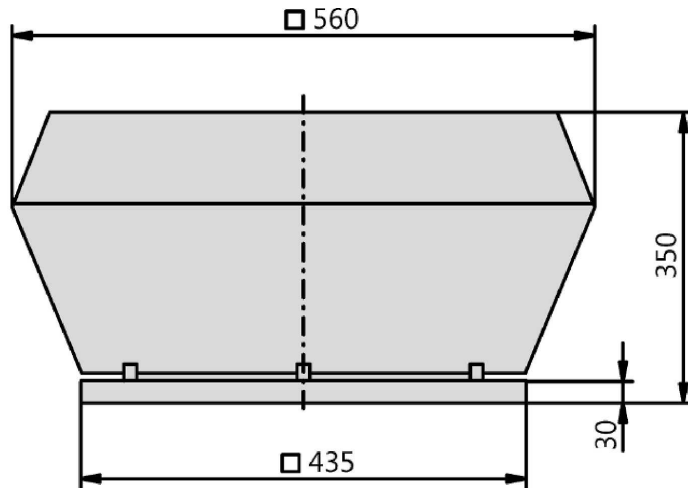
Sound Data:

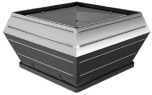
Frequency	Σ	63Hz	125Hz	250Hz	500Hz	1kHz	2kHz	4kHz	8kHz	Distances	1 m	5 m
LwA(A,in) [dB(A)]	-4	-39	-29	-14	-11	-8	-11	-15	-22	LpA(A,in) [dB(A)]	-11	-22
LwA(A,out) [dB(A)]		-37	-29	-11	-7	-5	-5	-11	-21	LpA(A,out) [dB(A)]	-7	-18



Type: **DVE 280-2 E.3EF GS4**

Part no.: A01-28009





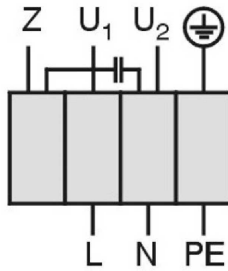
Type: **DVE 280-2 E.3EF GS4**
 Part no.: A01-28009



Einphasenwechselstrommotor mit Betriebskondensator und Thermostatschalter.
 Thermostatschalter intern mit der Wicklung in Reihe geschaltet.

Single phase A.C. motor with operating capacitor and thermostatic switch.
Thermostatic switch internal wired in series with windings.

Moteur monophasé avec condensateur permanent et interrupteur
thermostatique en série avec le bobinage en cas de branchement



U₁ blau / blue / bleu
 U₂ schwarz / black / noir
 Z braun / brown / brun
 PE gelb-grün
 yellow-green
 jaun-vert

TK3-20005

01.009

Roof fan

vertical outlet

Rain protection cover and square housing made of aluminium. Base frame equipped with threaded bolts for tightening accessories on suction side and a bended inlet cone, manufactured of galvanized sheet metal. Impeller of the E-series (Revolution) made of black, UV-stabilized and long glass fibre reinforced Polypropylene (PP) with 7 backward curved, profiled blades and narrow efficiency optimized circumferential diffusor. Sound and weight optimized. Corrosion resistant and compact design. Air Flow orientated behaviour. Direct-driven single-phase alternating current motor and three-phase motor with class F insulation system. For single-phase motors, motor protection is provided by thermal contacts built into the winding and connected in series. Three-phase motors have no internal protection system and must be connected to an external protection system. When using an electronic voltage control unit or a frequency converter, a sine filter must be used. Maintenance-free ball bearings, closed on both sides, with long-term lubrication. Motorized Impeller statically and dynamically balanced according to DIN ISO 21940-11 with quality level G2.5. The electrical connection is possible over the mounted ON/OFF-switch. Air volume control: possible by the use of an electronic speed controller or a step transformer (accessory).

Fan complies with the guidelines required (Machinery-, EMC- and Low Voltage Directive) to comply with installation and conformity declaration as well as CE marking.

Nominal Data:

Voltage

1~ 230 V

Frequency

50 Hz

Input power

0,195 kW

Current

0,85 A

Speed

2665 r/min

Medium temperature

70 °C

Protection Mode

IP 44

Weight

13,5 kg

Dimensions

560 mm / 560 mm / 330 mm

Contact:

Rosenberg Ventilatoren BV

Elandlaan 8

NL - 3734 CP Den Dolder

www.rosenberg.nl

Type:

DVE 280-2 E.3EF GS4

Article-No.:

A01-28009

