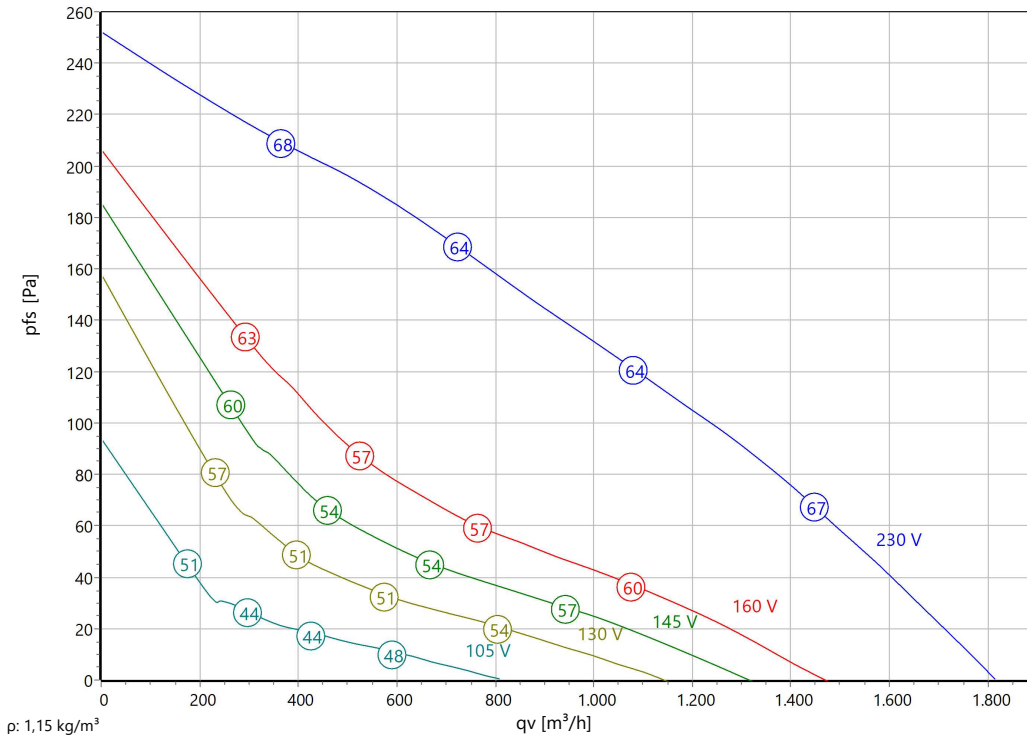


Type: **DVE 310-4 E.3EF GS4**

Part no.: A42-31050



**Curve:**



**ErP-Data:**

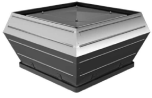
(EU) Nr. 1253/2014	(Lot6)
qV	1031 m³/h
pfs	133 Pa
ηfs	30,6 %
Pe	0,12 kW
n	1197 r/min
N	44
v	4,27 m/s

**Nominal Data:**

U [V]	f [Hz]	C [μF]	Pe [kW]	IN [A]	nN [r/min]	tR [°C]	k10 [m²s/h]	IA / IN	IP	m [kg]
1~230	50	3,5	0,124	0,55	1200	-25 .. +60	-	1,6	IP 44	14

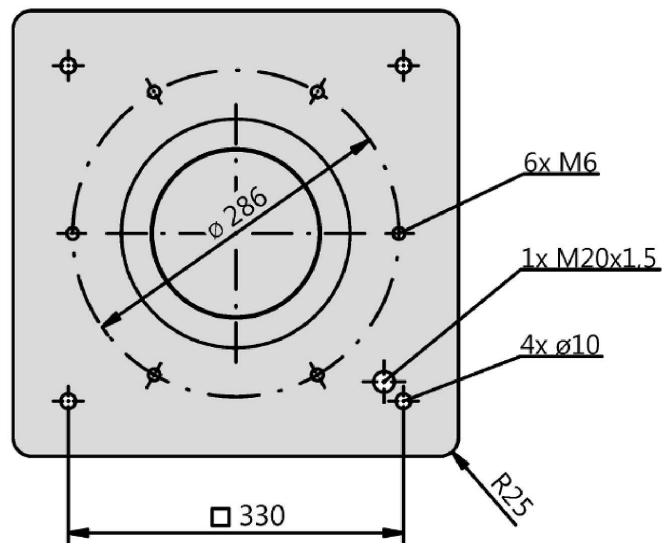
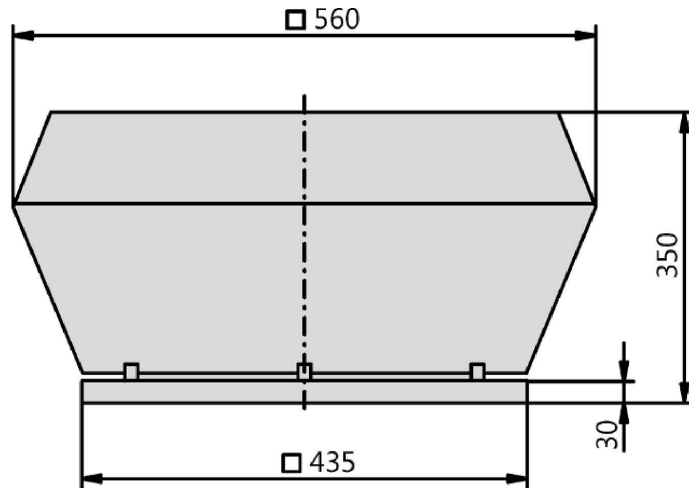
**Sound Data:**

Frequency	Σ	125Hz	250Hz	500Hz	1kHz	2kHz	4kHz	8kHz	Distances	1 m	5 m
LwA(A,in) [dB(A)]	-5	-25	-13	-10	-11	-12	-18	-24	LpA(A,in) [dB(A)]	-12	-23
LwA(A,out) [dB(A)]		-24	-11	-5	-4	-8	-15	-22	LpA(A,out) [dB(A)]	-7	-18



Type: **DVE 310-4 E.3EF GS4**

Part no.: A42-31050





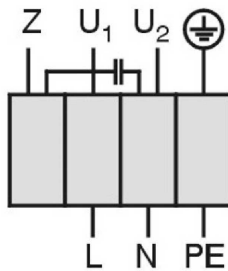
Type: **DVE 310-4 E.3EF GS4**  
 Part no.: A42-31050



Einphasenwechselstrommotor mit Betriebskondensator und Thermostatschalter.  
 Thermostatschalter intern mit der Wicklung in Reihe geschaltet.

**Single phase A.C. motor with operating capacitor and thermostatic switch.**  
**Thermostatic switch internal wired in series with windings.**

**Moteur monophasé avec condensateur permanent et interrupteur**  
**thermostatique en série avec le bobinage en cas de branchement**



U<sub>1</sub> blau / blue / bleu  
 U<sub>2</sub> schwarz / black / noir  
 Z braun / brown / brun  
 PE gelb-grün  
 yellow-green  
 jaun-vert

TK3-20005

01.009

### Roof fan

vertical outlet

Rain protection cover and square housing made of aluminium. Base frame equipped with threaded bolts for tightening accessories on suction side and a bended inlet cone, manufactured of galvanized sheet metal. Impeller of the E-series (Revolution) made of black, UV-stabilized and long glass fibre reinforced Polypropylene (PP) with 7 backward curved, profiled blades and narrow efficiency optimized circumferential diffusor. Sound and weight optimized. Corrosion resistant and compact design. Air Flow orientated behaviour. Direct-driven single-phase alternating current motor and three-phase motor with class F insulation system. For single-phase motors, motor protection is provided by thermal contacts built into the winding and connected in series. Three-phase motors have no internal protection system and must be connected to an external protection system. When using an electronic voltage control unit or a frequency converter, a sine filter must be used. Maintenance-free ball bearings, closed on both sides, with long-term lubrication. Motorized Impeller statically and dynamically balanced according to DIN ISO 21940-11 with quality level G2.5. The electrical connection is possible over the mounted ON/OFF-switch. Air volume control: possible by the use of an electronic speed controller or a step transformer (accessory).

Fan complies with the guidelines required (Machinery-, EMC- and Low Voltage Directive) to comply with installation and conformity declaration as well as CE marking.

### Nominal Data:

Voltage

1~230 V

Frequency

50 Hz

Input power

0,124 kW

Current

0,55 A

Speed

1200 r/min

Medium temperature

60 °C

Protection Mode

IP 44

Weight

14 kg

Dimensions

560 mm / 560 mm / 350 mm

### Contact:

Rosenberg Ventilatoren BV

Elandlaan 8

NL - 3734 CP Den Dolder

[www.rosenberg.nl](http://www.rosenberg.nl)

### Type:

DVE 310-4 E.3EF GS4

### Article-No.:

A42-31050

