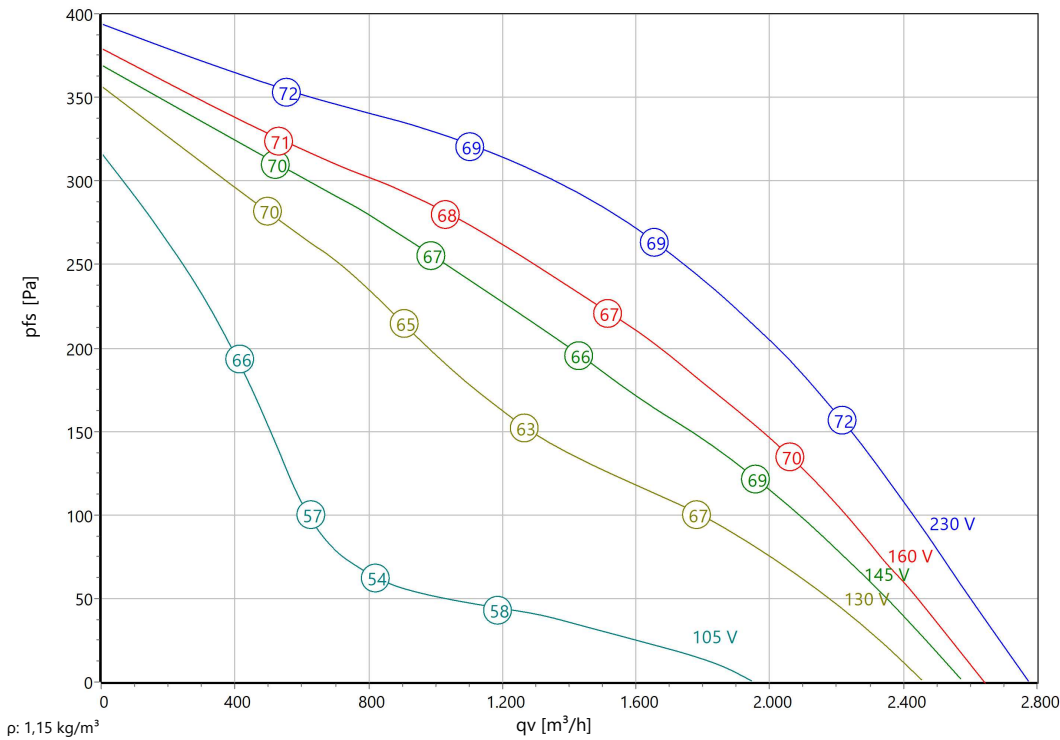




Type: **DVE 355-4 E.5FA GS1**
Part no.: A42-35550



Curve:



ErP-Data:

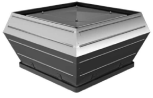
(EU) Nr. 1253/2014	(Lot6)	
qV	1639	m³/h
pfs	278	Pa
ηfs	43,8	%
Pe	0,29	kW
n	1414	r/min
N	51	
v	3,56	m/s
ηfs Lot11	46,6	%

Nominal Data:

U [V]	f [Hz]	C [μF]	Pe [kW]	IN [A]	nN [r/min]	tR [°C]	k10 [m²s/h]	IA / IN	IP	m [kg]	ΔI
1~230	50	6	0,29	1,4	1415	-25 .. +60	-	3,3	IP 54	27,5	39 %

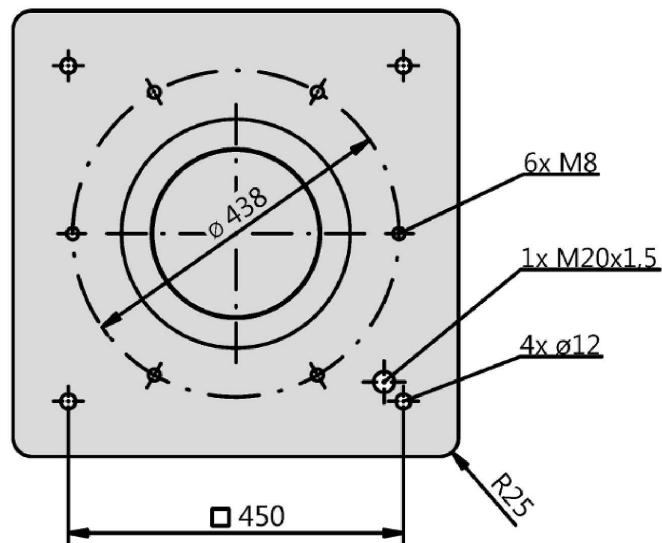
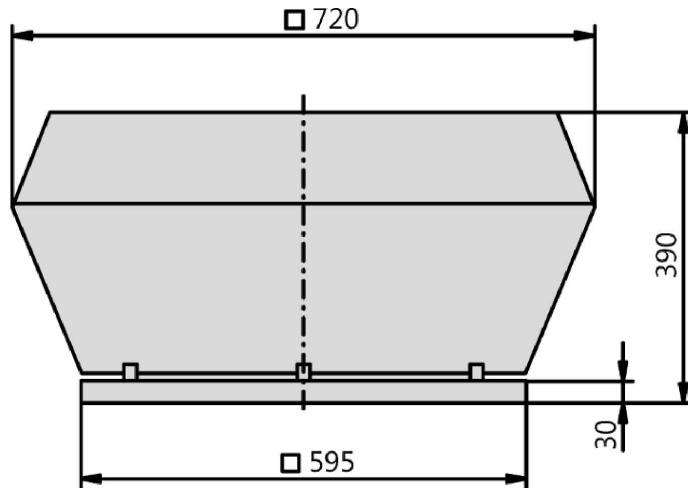
Sound Data:

Frequency	Σ	125Hz	250Hz	500Hz	1kHz	2kHz	4kHz	8kHz	Distances	1 m	5 m
LwA(A,in) [dB(A)]	-4	-21	-13	-10	-10	-10	-15	-22	LpA(A,in) [dB(A)]	-11	-22
LwA(A,out) [dB(A)]		-16	-6	-6	-6	-8	-13	-21	LpA(A,out) [dB(A)]	-7	-18



Type: **DVE 355-4 E.5FA GS1**

Part no.: A42-35550





Type: **DVE 355-4 E.5FA GS1**
 Part no.: A42-35550

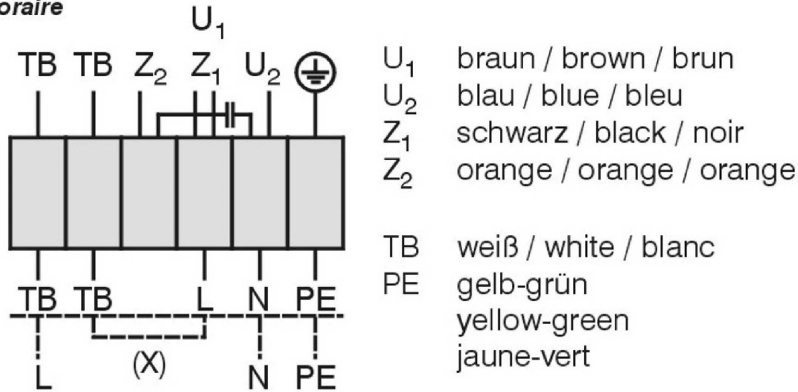


Einphasenwechselstrommotor mit Betriebskondensator und Thermostatschalter.
 Bei Verwendung von RE Steuergeräten TB mit der Wicklung in Reihe schalten.
 Hierfür Brücke (x) einlegen und gestrichelt gezeichnete Anschlüsse belegen.

Single phase A.C. motor with operating capacitor and thermostatic switch.
Thermostatic switch wired in series with windings if RE controllers are used.
Insert bridge (x) and wire connections shown as dash-line on the drawing.

Moteur monophasé avec condensateur permanent et interrupteur thermo-
statique branché en série avec le bobinage en cas de branchement avec des
régulateurs RE. Mettre un pont (x) et brancher toutes les connexions
dessinées en hachuré.

Rechtslauf
 clockwise
 rotation horaire



01.024

TK3-20010

Roof fan

vertical outlet

Rain protection cover and square housing made of aluminium. Base frame equipped with threaded bolts for tightening accessories on suction side and a bended inlet cone, manufactured of galvanized sheet metal. Impeller of the E-series (Revolution) made of black, UV-stabilized and long glass fibre reinforced Polypropylene (PP) with 7 backward curved, profiled blades and narrow efficiency optimized circumferential diffusor. Sound and weight optimized. Corrosion resistant and compact design. Air Flow orientated behaviour. Voltage controllable AC external rotor motor.

Maintenance free ball bearings, closed on both sides with long-term lubrication. Motor coated black and/or die casted aluminum. Standard configuration with cable. Motor protection is guaranteed by thermal contacts, which are inlaid into the motor windings. These contacts protect the motor from being overloaded through phase failure, too high medium temperature or locked rotor. Isolation Class F. Motorized Impeller statically and dynamically balanced according to DIN ISO 21940-11 at least with quality level G6.3. The electrical connection is possible over the mounted ON/OFF-switch. Air volume control is possible by the use of a step transformer (accessory).

Fan complies with the guidelines required (Machinery-, EMC- and Low Voltage Directive) to comply with installation and conformity declaration as well as CE marking.

Nominal Data:

Voltage

1~230 V

Frequency

50 Hz

Input power

0,29 kW

Current

1,4 A

Speed

1415 r/min

Medium temperature

60 °C

Protection Mode

IP 54

Weight

27,5 kg

Dimensions

720 mm / 720 mm / 390 mm

Contact:

Rosenberg Ventilatoren BV

Elandlaan 8

NL - 3734 CP Den Dolder

www.rosenberg.nl

Type:

DVE 355-4 E.5FA GS1

Article-No.:

A42-35550

