

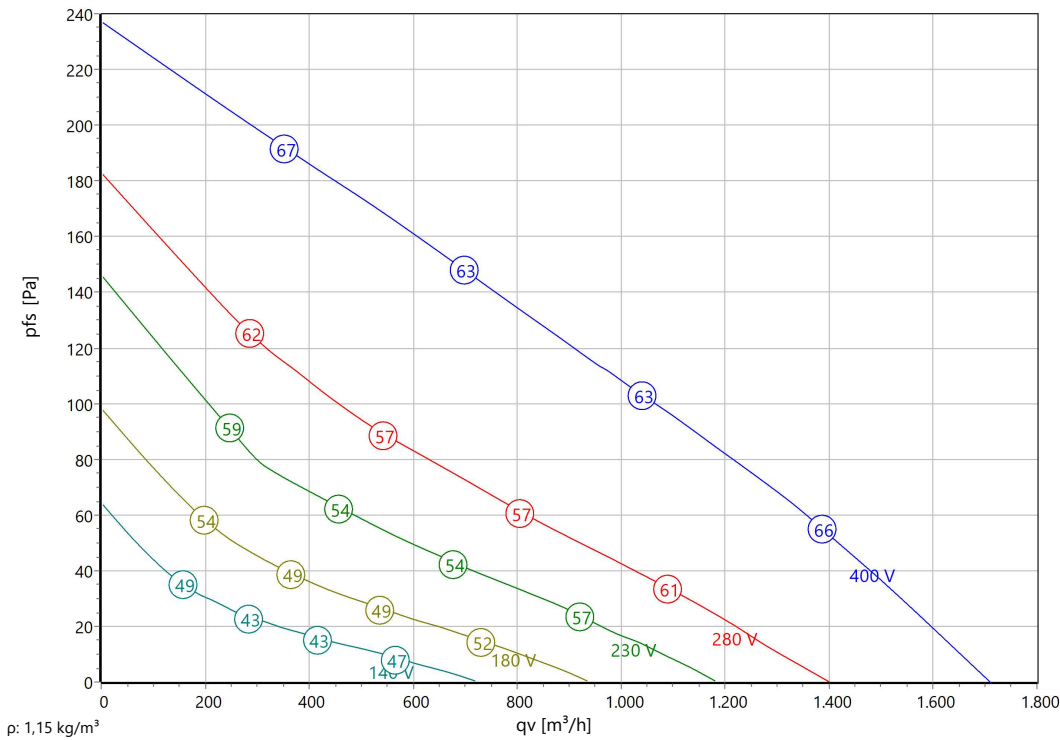


Type: **DVE 310-4 D.3EF GS2**

Part no.: A42-31051



Curve:



ErP-Data:

	(EU) Nr. 1253/2014	(Lot6)
qV	804	m³/h
pfs	141	Pa
ηfs	28,4	%
Pe	0,11	kW
n	1140	r/min
N	42	
v	3,51	m/s

Nominal Data:

U [V]	f [Hz]	C [μF]	Pe [kW]	IN [A]	nN [r/min]	tR [°C]	k10 [m²s/h]	IA / IN	IP	m [kg]
400 D	50	-	0,113	0,21	1145	-25 .. +60	-	2,1	IP 44	14

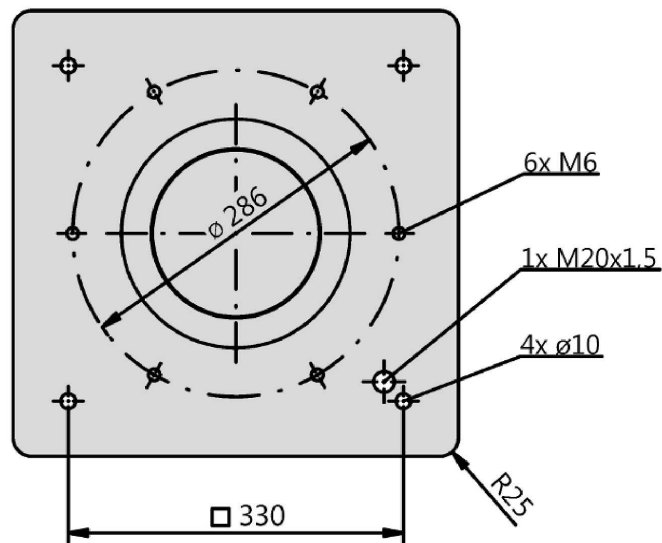
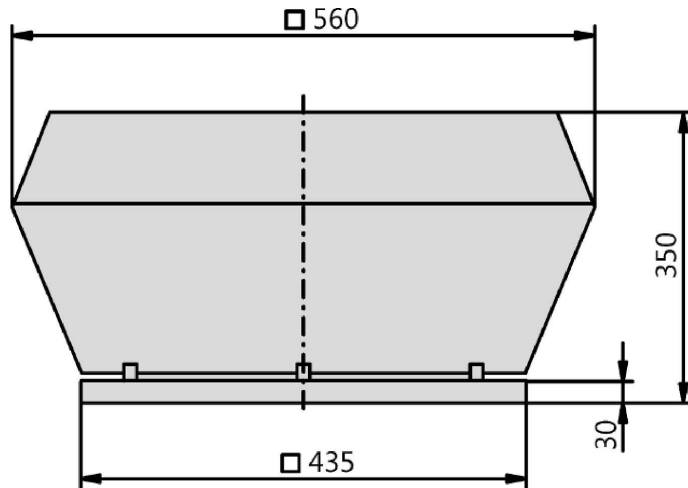
Sound Data:

Frequency	Σ	125Hz	250Hz	500Hz	1kHz	2kHz	4kHz	8kHz	Distances	1 m	5 m
LwA(A,in) [dB(A)]	-5	-25	-13	-10	-11	-12	-18	-24	LpA(A,in) [dB(A)]	-12	-23
LwA(A,out) [dB(A)]		-24	-11	-5	-4	-8	-15	-22	LpA(A,out) [dB(A)]	-7	-18



Type: **DVE 310-4 D.3EF GS2**

Part no.: A42-31051





Type: **DVE 310-4 D.3EF GS2**
 Part no.: A42-31051

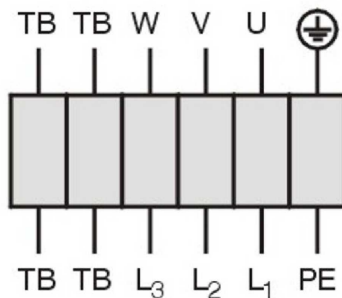


Drehstrommotor mit Thermostatschalter (TB).
 Drehrichtungsänderung durch Vertauschen von 2 Phasen.

Three phase motor with thermostatic switch (TB). Changing of rotation direction by interchanging of 2 phases.

Moteur triphasé avec interrupteur thermostatique (TB). Changement de sens de rotation par inversion de deux phases.

TK3-20035



U	braun / brown / brun
V	blau oder grau blue or grey bleu or gris
W	schwarz / black / noir
TB	weiß / white / blanc
PE	gelb-grün yellow-green jaune-vert

01.019

Roof fan

vertical outlet

Rain protection cover and square housing made of aluminium. Base frame equipped with threaded bolts for tightening accessories on suction side and a bended inlet cone, manufactured of galvanized sheet metal. Impeller of the E-series (Revolution) made of black, UV-stabilized and long glass fibre reinforced Polypropylene (PP) with 7 backward curved, profiled blades and narrow efficiency optimized circumferential diffusor. Sound and weight optimized. Corrosion resistant and compact design. Air Flow orientated behaviour. Voltage controllable AC external rotor motor.

Maintenance free ball bearings, closed on both sides with long-term lubrication. Motor coated black and/or die casted aluminum. Standard configuration with cable. Motor protection is guaranteed by thermal contacts, which are inlaid into the motor windings. These contacts protect the motor from being overloaded through phase failure, too high medium temperature or locked rotor. Isolation Class F. Motorized Impeller statically and dynamically balanced according to DIN ISO 21940-11 at least with quality level G6.3. The electrical connection is possible over the mounted ON/OFF-switch. Air volume control is possible by the use of an frequency converter (max. 50Hz) or a step transformer (accessory).

Fan complies with the guidelines required (Machinery-, EMC- and Low Voltage Directive) to comply with installation and conformity declaration as well as CE marking.

Nominal Data:

Voltage

400 D V

Frequency

50 Hz

Input power

0,113 kW

Current

0,21 A

Speed

1145 r/min

Medium temperature

60 °C

Protection Mode

IP 44

Weight

14 kg

Dimensions

560 mm / 560 mm / 350 mm

Contact:

Rosenberg Ventilatoren BV

Elandlaan 8

NL - 3734 CP Den Dolder

www.rosenberg.nl

Type:

DVE 310-4 D.3EF GS2

Article-No.:

A42-31051

