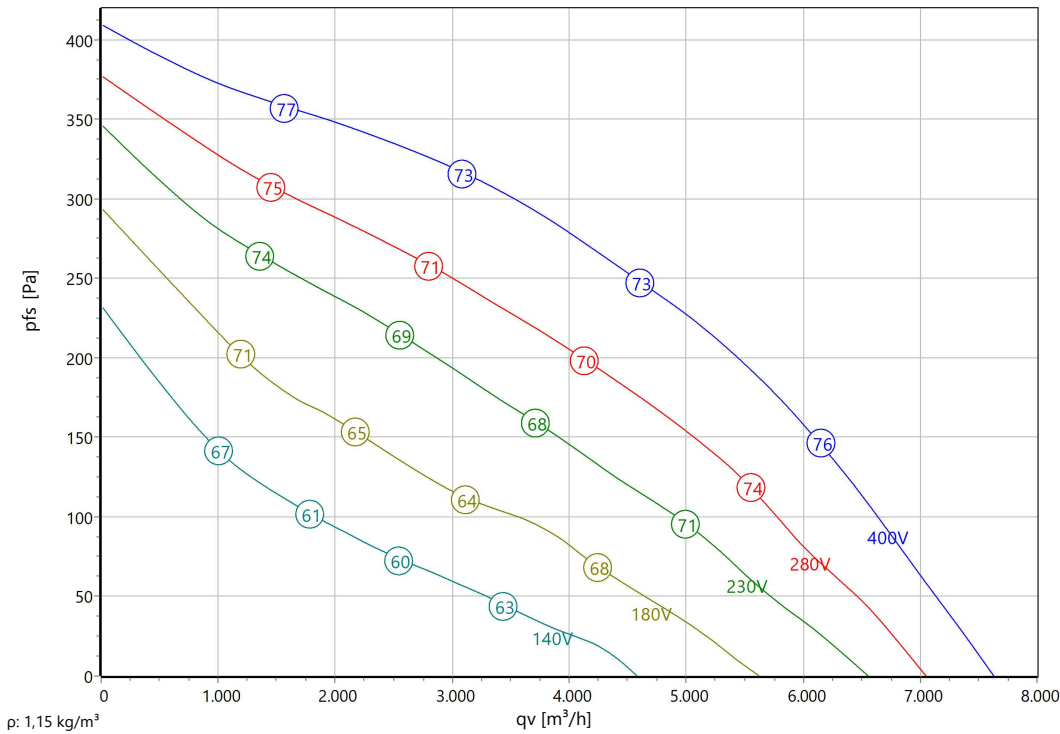




Type: **DVE 560-6 D.6FA GS2**
Part no.: A42-56051



Curve:



ErP-Data:

	(EU) Nr. 1253/2014	(Lot6)
qV	4452	m³/h
pfs	267	Pa
ηfs	48,8	%
Pe	0,68	kW
n	885	r/min
N	51	
v	4,38	m/s
ηfs Lot11	50,1	%

Nominal Data:

U [V]	f [Hz]	C [μF]	Pe [kW]	IN [A]	nN [r/min]	tR [°C]	k10 [m²s/h]	IA / IN	IP	m [kg]
400 D	50	-	0,68	1,55	885	-25 .. +50	-	3,3	IP 54	66

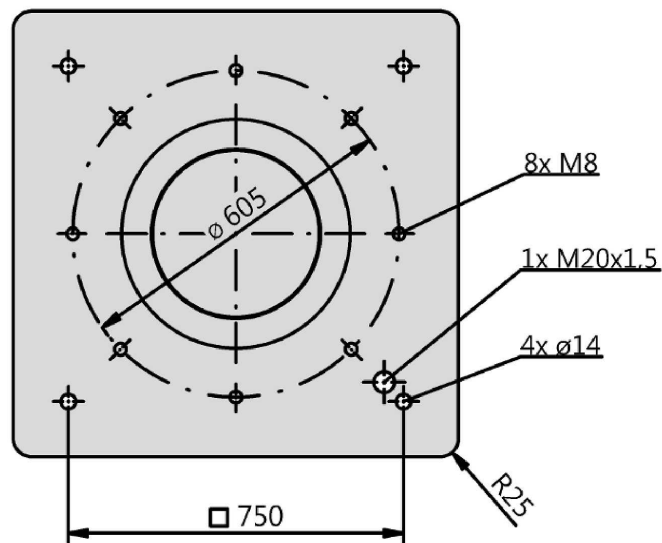
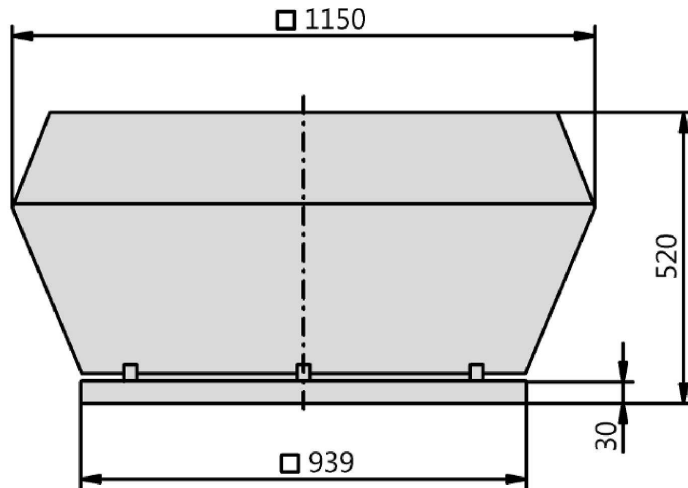
Sound Data:

Frequency	Σ	125Hz	250Hz	500Hz	1kHz	2kHz	4kHz	8kHz	Distances	1 m	5 m
LwA(A,in) [dB(A)]	-5	-14	-10	-12	-12	-15	-19	-23	LpA(A,in) [dB(A)]	-12	-23
LwA(A,out) [dB(A)]		-8	-7	-7	-5	-10	-19	-26	LpA(A,out) [dB(A)]	-7	-18



Type: **DVE 560-6 D.6FA GS2**

Part no.: A42-56051





Type: **DVE 560-6 D.6FA GS2**
 Part no.: A42-56051

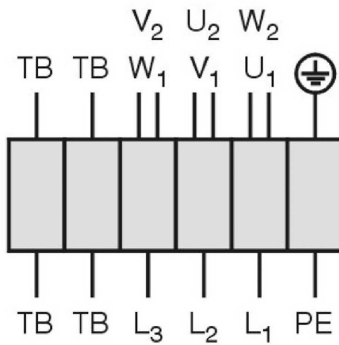


Drehstrommotor in Δ -Schaltung mit Thermostatschalter (TB).
 Drehrichtungsänderung durch Vertauschen von 2 Phasen.

Three phase motor in delta connection with thermostatic switch (TB). Changing of rotation direction by interchanging of 2 phases.

Moteur triphasé branché en triangle avec interrupteur thermostatique (TB). Changement de sens de rotation par inversion de deux phases.

TK3-20004



U ₁	braun / brown / brun
V ₁	blau / blue / bleu
W ₁	schwarz / black / noir
U ₂	rot / red / rouge
V ₂	grau / grey / gris
W ₂	orange / orange / orange
TB	weiß / white / blanc
PE	gelb-grün yellow-green jaune-vert

01.006

Roof fan

vertical outlet

Rain protection cover and square housing made of aluminium. Base frame equipped with threaded bolts for tightening accessories on suction side and a bended inlet cone, manufactured of galvanized sheet metal. Impeller of the E-series (Revolution) made of black, UV-stabilized and long glass fibre reinforced Polypropylene (PP) with 7 backward curved, profiled blades and narrow efficiency optimized circumferential diffusor. Sound and weight optimized. Corrosion resistant and compact design. Air Flow orientated behaviour. Voltage controllable AC external rotor motor.

Maintenance free ball bearings, closed on both sides with long-term lubrication. Motor coated black and/or die casted aluminum. Standard configuration with cable. Motor protection is guaranteed by thermal contacts, which are inlaid into the motor windings. These contacts protect the motor from being overloaded through phase failure, too high medium temperature or locked rotor. Isolation Class F. Motorized Impeller statically and dynamically balanced according to DIN ISO 21940-11 at least with quality level G6.3. The electrical connection is possible over the mounted ON/OFF-switch. Air volume control is possible by the use of an frequency converter (max. 50Hz) or a step transformer (accessory).

Fan complies with the guidelines required (Machinery-, EMC- and Low Voltage Directive) to comply with installation and conformity declaration as well as CE marking.

Nominal Data:

Voltage

400 D V

Frequency

50 Hz

Input power

0,68 kW

Current

1,55 A

Speed

885 r/min

Medium temperature

50 °C

Protection Mode

IP 54

Weight

66 kg

Dimensions

1150 mm / 1150 mm / 570 mm

Contact:

Rosenberg Ventilatoren BV

Elandlaan 8

NL - 3734 CP Den Dolder

www.rosenberg.nl

Type:

DVE 560-6 D.6FA GS2

Article-No.:

A42-56051

