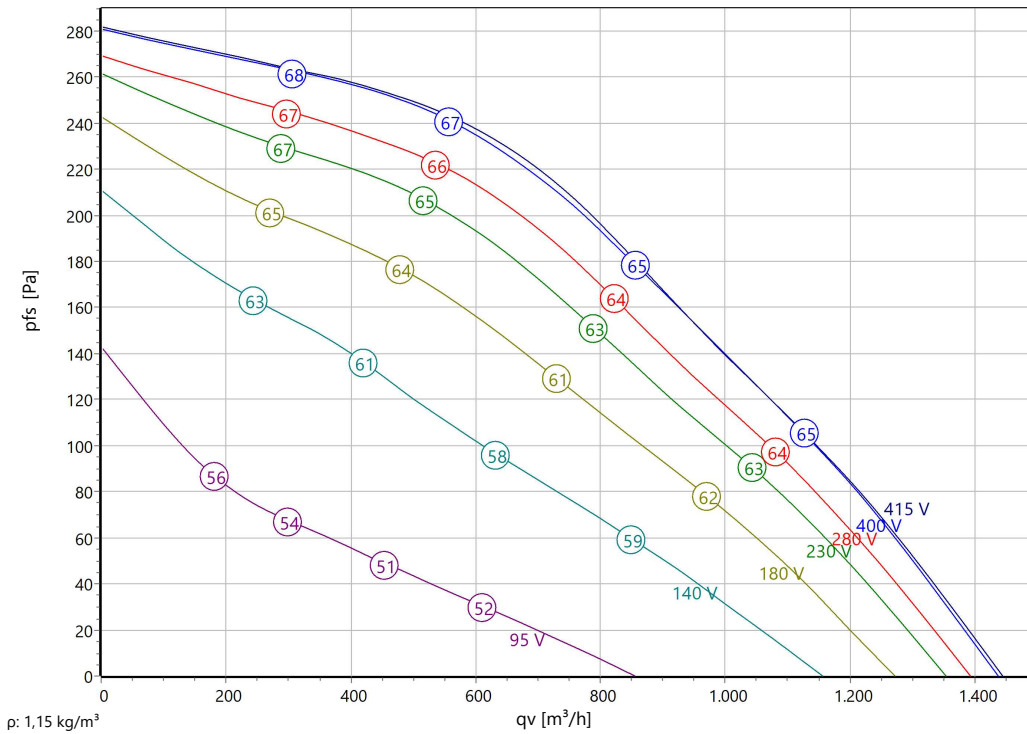




Type: **DV 310 L-4 D Ex II 2G Ex h IIB T3 Gb X**  
Part no.: A00-31083



**Curve:**



**Nominal Data:**

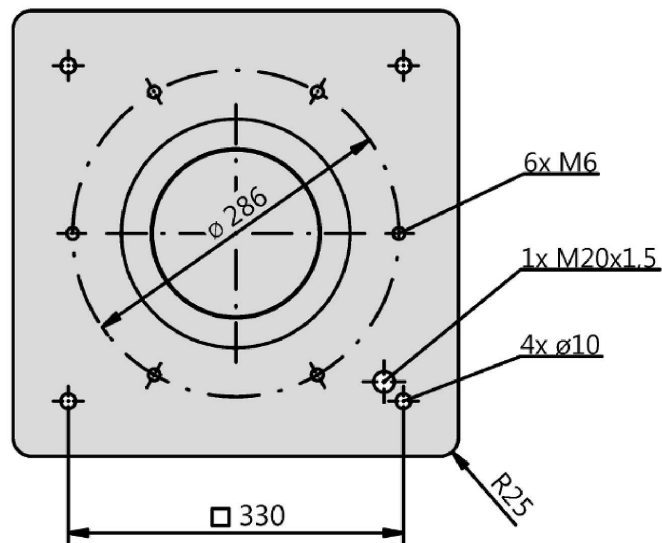
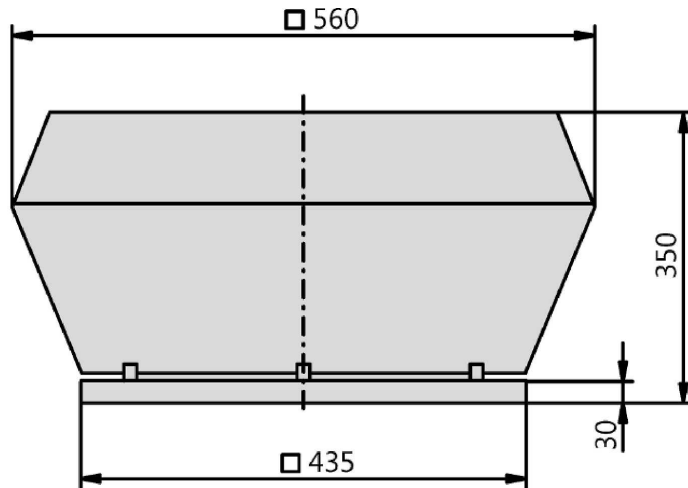
U [V]	f [Hz]	C [μF]	Pe [kW]	IN [A]	nN [r/min]	tR [°C]	k10 [m²s/h]	IA / IN	IP	m [kg]
400 D	50	-	0,14	0,45	1440	40	-	4,2	IP 44	16

**Sound Data:**

Frequency	Σ	125Hz	250Hz	500Hz	1kHz	2kHz	4kHz	8kHz	Distances	1 m	4 m
LwA(A,in) [dB(A)]	-3	-19	-13	-13	-10	-11	-17	-24	LpA(A,in) [dB(A)]	-10	-20
LwA(A,out) [dB(A)]		-20	-11	-6	-4	-7	-13	-19	LpA(A,out) [dB(A)]	-7	-17



Type: **DV 310 L-4 D Ex II 2G Ex h IIB T3 Gb X**  
Part no.: A00-31083





Type: **DV 310 L-4 D Ex II 2G Ex h IIB T3 Gb X**  
 Part no.: A00-31083

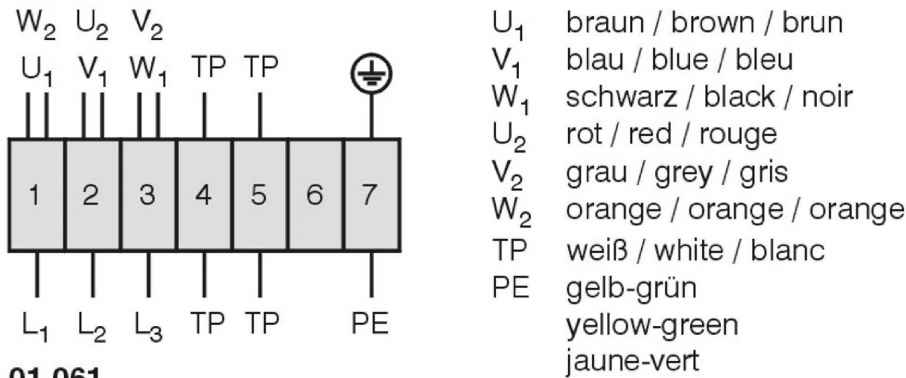


Drehstrommotor, explosionsgeschützt in  $\Delta$ -Schaltung mit Temperaturfühler (TP). Drehrichtungsänderung durch Vertauschen von 2 Phasen.

**Three phase motor, explosion-proof in delta ( $\Delta$ ) connection with temperature sensor (TP). Changing of rotation direction by interchanging of 2 phases.**

**Moteur triphasé protégé contre les explosions et branché en delta ( $\Delta$ ) avec sonde de température (TP). Changement de sens de rotation par inversion de deux phases.**

TK3-20066



01.061

### Roof fan (explosion proof)

Equipment category 2 - Zone 1

Rain protection cover and square housing made of seawater-resistant aluminium. Base frame equipped with threaded bolts for tightening accessories on suction side. Impeller blades made of conductive plastic. Support disk made of galvanized sheet steel. Inlet cone made from galvanized steel. Voltage controllable explosion proof AC external rotor motor. Protection class IP44. Maintenance free ball bearings, closed on both sides with long-term lubrication. Motor coated black and/or die casted aluminum. Standard configuration with cable. Positive Temperature Coefficient (PTC) thermistors in accordance to DIN 44082 are inlaid into the motor windings. To function as a protective motor switch, the PTC resistors must be connected to a triggering device with the identification Ex II(2)G. Isolation Class F. Ignition protection Ex eb or Ex ec. Motorized Impeller statically and dynamically balanced according to DIN ISO 21940-11 at least with quality level G6.3. The electrical connection via lead out connection cable.

Fan complies with the guidelines required (Machinery-, Atex- and EMC Directive) to comply with installation and conformity declaration as well as CE marking.

Those fans are designed and manufactured to be operated in vaporous explosive atmosphere. They are marked in accordance with the Atex directive 2014/34/EU: **II 2G Ex h IIB T3 Gb X**

### Nominal Data:

Voltage  
400 D V  
Frequency  
50 Hz  
Input power  
0,14 kW  
Current  
0,45 A  
Speed  
1440 r/min  
Medium temperature  
40 °C  
Protection Mode  
IP 44  
Weight  
16 kg

### Contact:

Rosenberg Ventilatoren BV  
Elandlaan 8  
NL - 3734 CP Den Dolder  
[www.rosenberg.nl](http://www.rosenberg.nl)

### Type:

DV 310 L-4 D Ex II 2G Ex h IIB T3 Gb X

### Article-No.:

A00-31083