

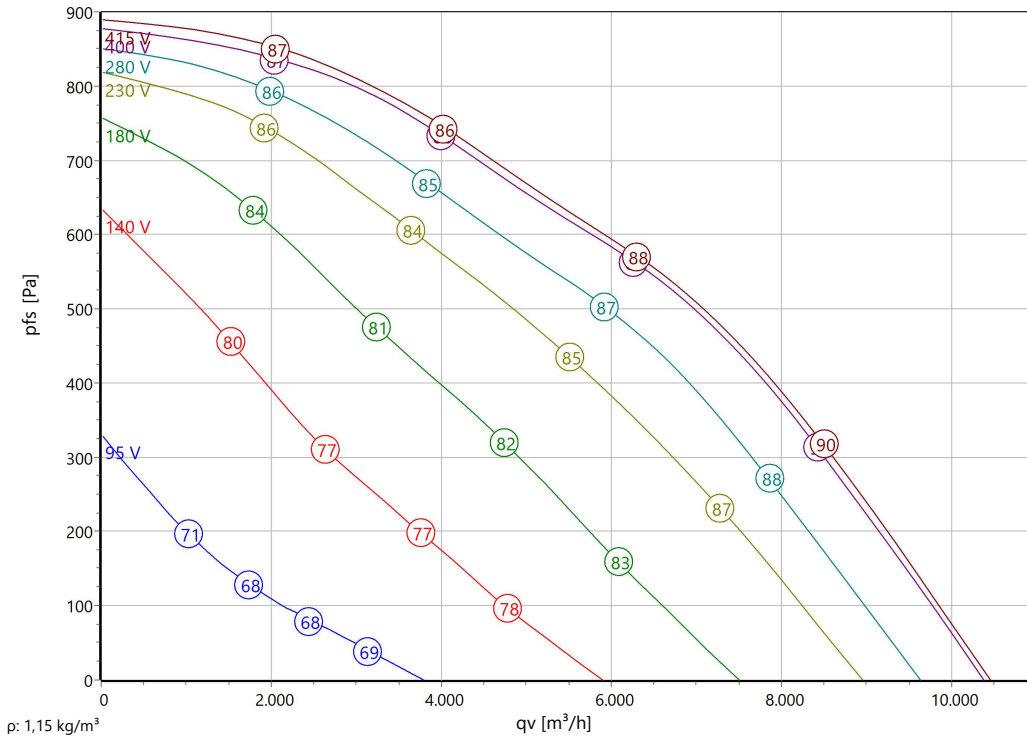


Type: **EHAD 500-4 Ex II 3G Ex h IIB T3 Gc X**

Part no.: B33-50070



Curve:



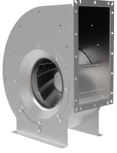
Nominal Data:

ΔI 26 %

U [V]	f [Hz]	C [μF]	Pe [kW]	IN [A]	nN [r/min]	tR [°C]	k10 [m ² s/h]	IA / IN	IP	m [kg]
400 D	50	-	2,25	4,5	1410	40	-	4,8	IP 44	-

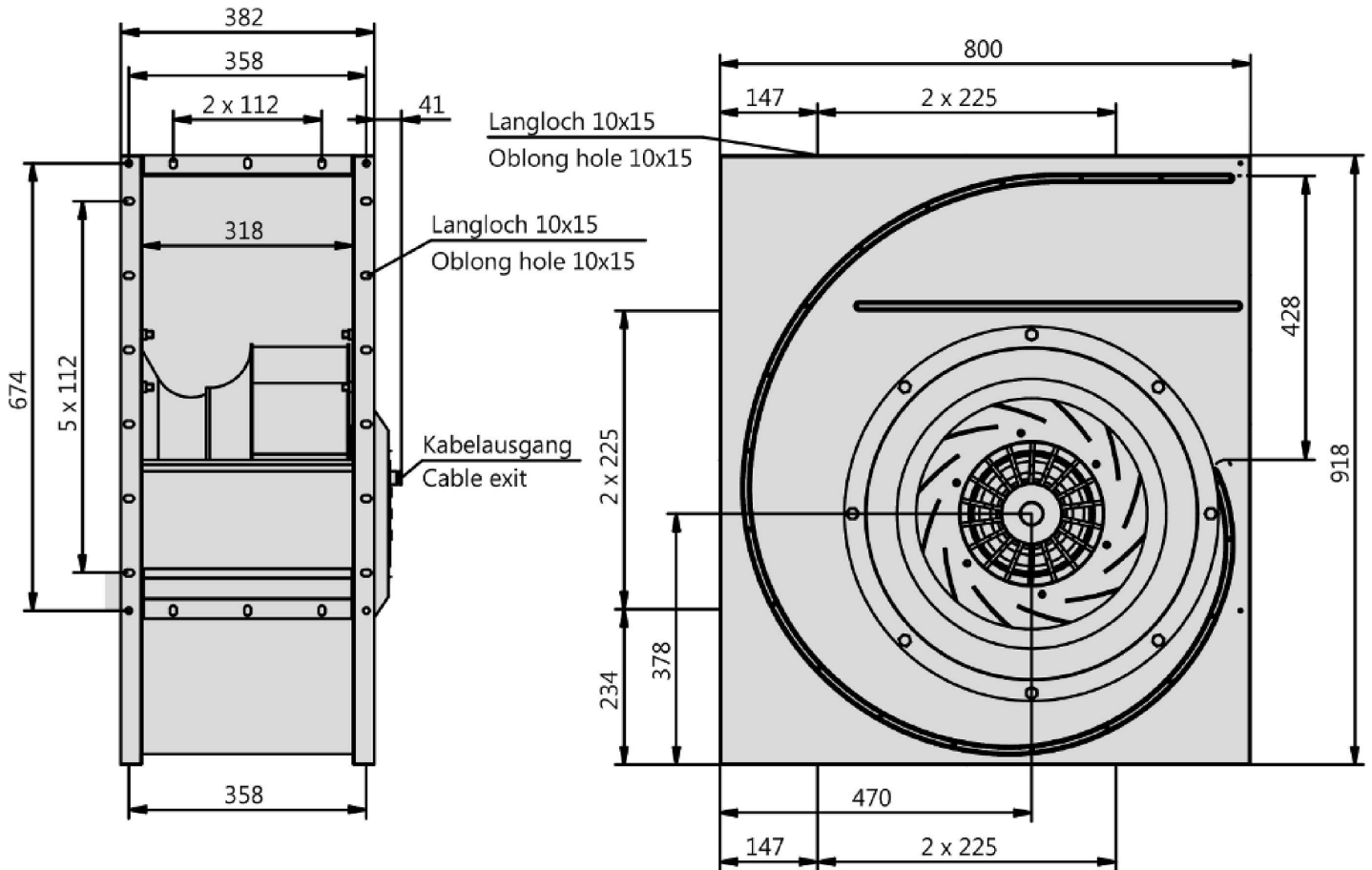
Sound Data:

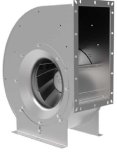
Frequency	Σ	125Hz	250Hz	500Hz	1kHz	2kHz	4kHz	8kHz	Distances	1 m	4 m
LwA(B,in) [dB(A)]	-6	-24	-14	-6	-12	-12	-18	-27	LpA(B,in) [dB(A)]	-13	-23
LwA(B,out) [dB(A)]		-19	-6	-6	-5	-8	-18	-25	LpA(B,out) [dB(A)]	-7	-17



Type: **EHAD 500-4 Ex II 3G Ex h IIB T3 Gc X**

Part no.: B33-50070





Type: **EHAD 500-4 Ex II 3G Ex h IIB T3 Gc X**
 Part no.: B33-50070

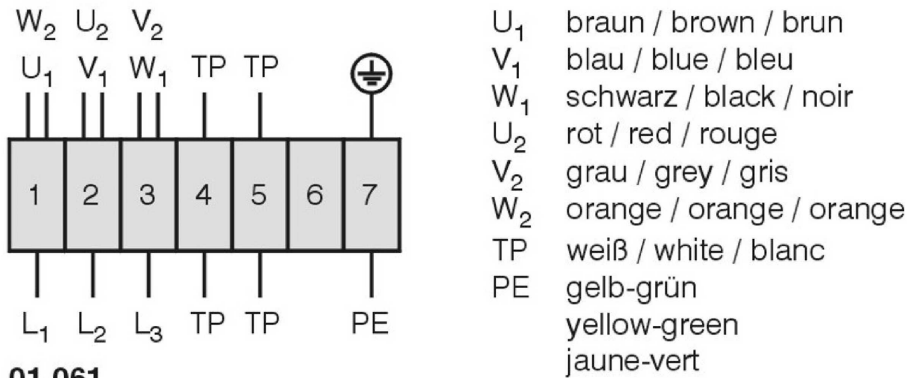


Drehstrommotor, explosionsgeschützt in Δ -Schaltung mit Temperaturfühler (TP). Drehrichtungsänderung durch Vertauschen von 2 Phasen.

Three phase motor, explosion-proof in delta (Δ) connection with temperature sensor (TP). Changing of rotation direction by interchanging of 2 phases.

Moteur triphasé protégé contre les explosions et branché en delta (Δ) avec sonde de température (TP). Changement de sens de rotation par inversion de deux phases.

TK3-20066



01.061

Centrifugal fan (explosion proof)

Equipment category 3 - Zone 2

Fluidic optimized scroll casing made from galvanised sheet metal. Single inlet. Stands respectively casing mountable in all 90° positions. Impeller made of steel with backward curved blades. Inlet cone made from copper. Voltage controllable explosion proof AC external rotor motor. Protection class IP44. Maintenance free ball bearings, closed on both sides with long-term lubrication. Motor coated black and/or die casted aluminum. Standard configuration with cable. Positive Temperature Coefficient (PTC) thermistors in accordance to DIN 44082 are inlaid into the motor windings. To function as a protective motor switch, the PTC resistors must be connected to a triggering device with the identification Ex II(2)G. Isolation Class F. Ignition protection Ex eb or Ex ec. Motorized Impeller statically and dynamically balanced according to DIN ISO 21940-11 with quality level G6.3. The electrical connection via lead out connection cable.

Those fans are designed and manufactured to be operated in vaporous explosive atmosphere. They are marked in accordance with the Atex directive 2014/34/EU: **II 3G Ex h IIB T3 Gc X**

Fan complies with the guidelines required (Machinery-, Atex- and EMC Directive) to comply with installation and conformity declaration as well as CE marking.

Nominal Data:

Voltage

400 D V

Frequency

50 Hz

Input power

2,25 kW

Current

4,5 A

Speed

1410 r/min

Medium temperature

40 °C

Protection Mode

IP 44

Dimensions

800 mm / 390 mm / 920 mm

Contact:

Rosenberg Ventilatoren BV

Elandlaan 8

NL - 3734 CP Den Dolder

www.rosenberg.nl

Type:

EHAD 500-4 Ex II 3G Ex h IIB T3 Gc X

Article-No.:

B33-50070