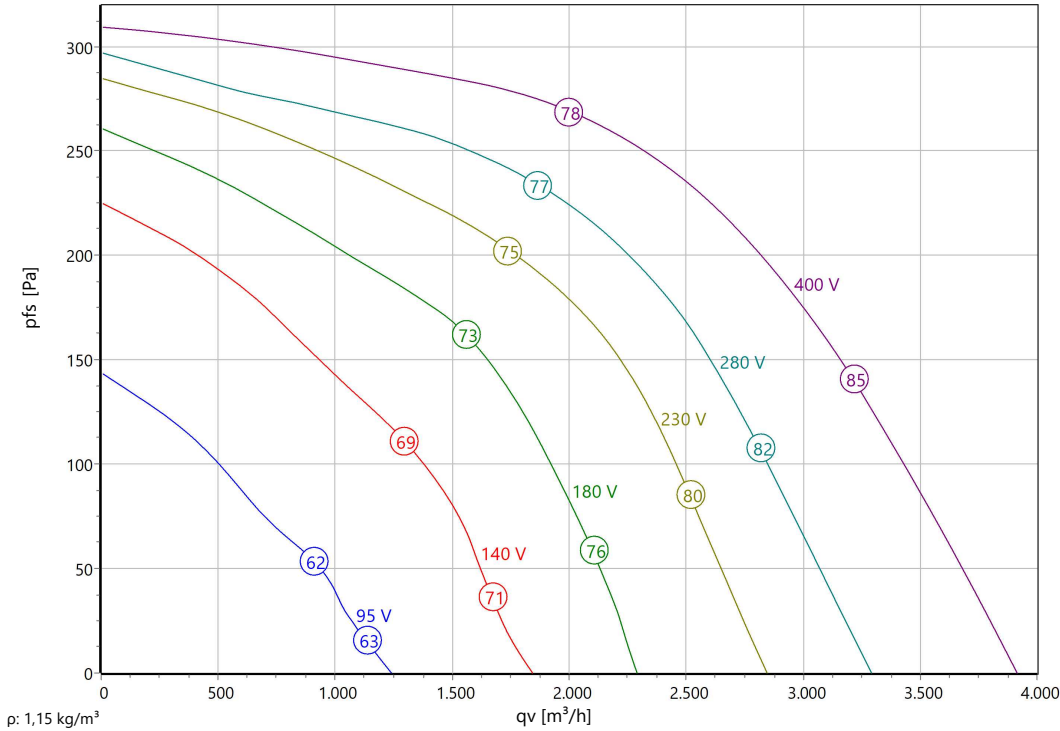




Type: **DRAD 225-4 Ex II 3G Ex h IIB T3 Gc X**
 Part no.: C81-22570



Curve:



Nominal Data:

U [V]	f [Hz]	C [µF]	Pe [kW]	IN [A]	nN [r/min]	tR [°C]	k10 [m²s/h]	IA / IN	IP	m [kg]
400 D	50	-	1	1,8	1245	-	-	-	IP 44	-

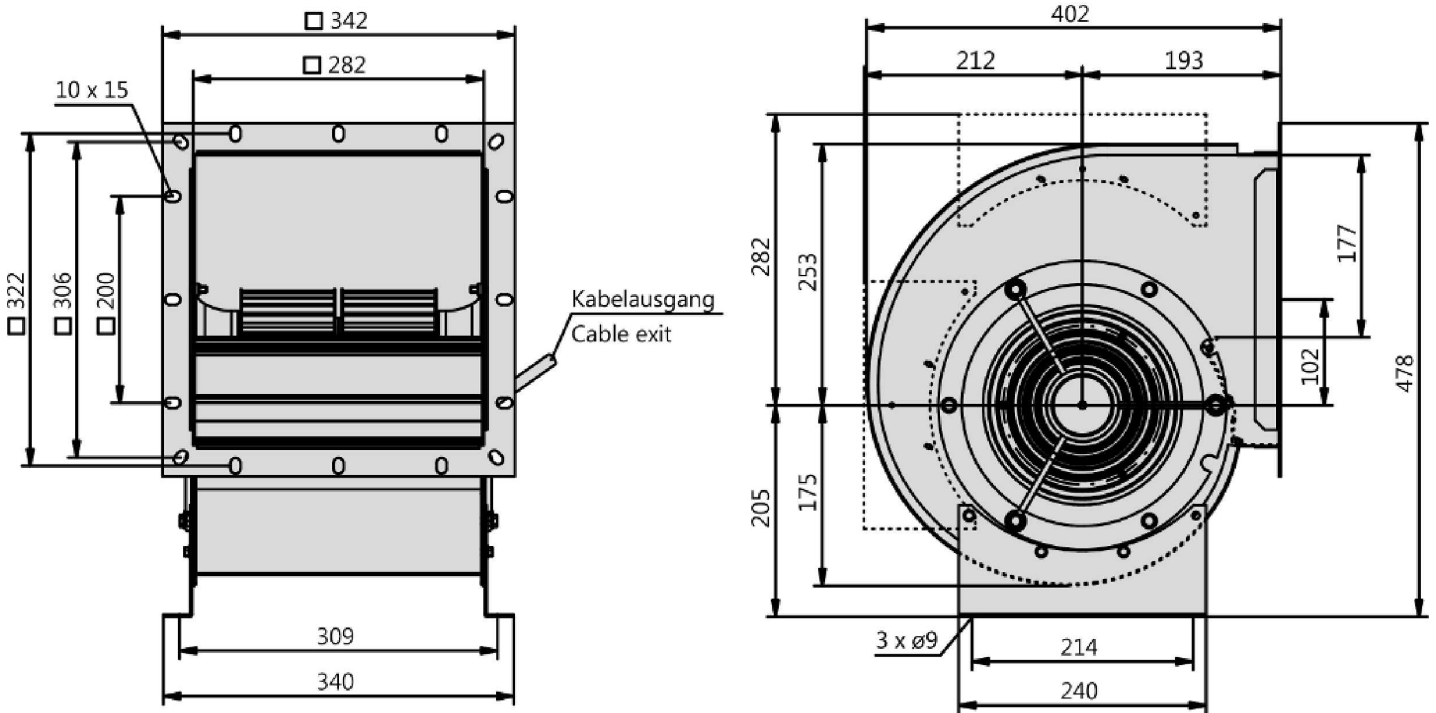
Sound Data:

Frequency	Σ	125Hz	250Hz	500Hz	1kHz	2kHz	4kHz	8kHz	Distances	1 m	4 m
LwA(B,in) [dB(A)]	-3	-21	-16	-13	-8	-7	-13	-19	LpA(B,in) [dB(A)]	-10	-20
LwA(B,out) [dB(A)]		-21	-13	-8	-4	-7	-8	-15	LpA(B,out) [dB(A)]	-7	-17



Type: **DRAD 225-4 Ex II 3G Ex h IIB T3 Gc X**

Part no.: C81-22570





Type: **DRAD 225-4 Ex II 3G Ex h IIB T3 Gc X**
 Part no.: C81-22570



Drehstrommotor, explosionsgeschützt mit Temperaturfühler (TP).
 Drehrichtungsänderung durch Vertauschen von 2 Phasen.

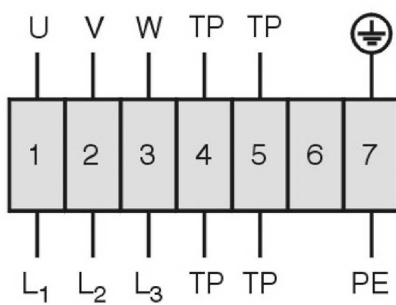
Three phase motor, explosion-proof with temperature sensor (TP).

Changing of rotation direction by interchanging of 2 phases.

Moteur triphasé protégé contre les explosions avec sonde de température (TP).

Changement de sens de rotation par inversion de deux phases.

TK3-20036



- U braun / brown / brun
- V blau oder grau
blue or grey
bleu or gris
- W schwarz / black / noir
- TP weiß / white / blanc
- PE gelb-grün
yellow-green
jaune-vert

01.063

Centrifugal fan (explosion proof)

Equipment category 3 - Zone 2

Fluidic optimized scroll casing made from galvanised sheet metal. Double inlet. Stands respectively casing mountable in all 90° positions. Double inlet impeller made of galvanized steel sheet with forward curved blades. Due to the high number of blades results in a sound optimized and at the same time compact design. Inlet cone made from conductive plastic. Voltage controllable explosion proof AC external rotor motor. Protection class IP44. Maintenance free ball bearings, closed on both sides with long-term lubrication. Motor coated black and/or die casted aluminum. Standard configuration with cable. Positive Temperature Coefficient (PTC) thermistors in accordance to DIN 44082 are inlaid into the motor windings. To function as a protective motor switch, the PTC resistors must be connected to a triggering device with the identification Ex II(2)G. Isolation Class F. Ignition protection Ex eb or Ex ec. Motorized Impeller statically and dynamically balanced according to DIN ISO 21940-11 with quality level G2.5. The electrical connection via lead out connection cable.

Those fans are designed and manufactured to be operated in vaporous explosive atmosphere. They are marked in accordance with the Atex directive 2014/34/EU: **II 3G Ex h IIB T3 Gc X**

Fan complies with the guidelines required (Machinery-, Atex- and EMC Directive) to comply with installation and conformity declaration as well as CE marking.

Nominal Data:

Voltage

400 D V

Frequency

50 Hz

Input power

1 kW

Current

1,8 A

Speed

1245 r/min

Medium temperature

°C

Protection Mode

IP 44

Dimensions

342 mm / 402 mm / 478 mm

Contact:

Rosenberg Ventilatoren BV

Elandlaan 8

NL - 3734 CP Den Dolder

www.rosenberg.nl

Type:

DRAD 225-4 Ex II 3G Ex h IIB T3 Gc X

Article-No.:

C81-22570

