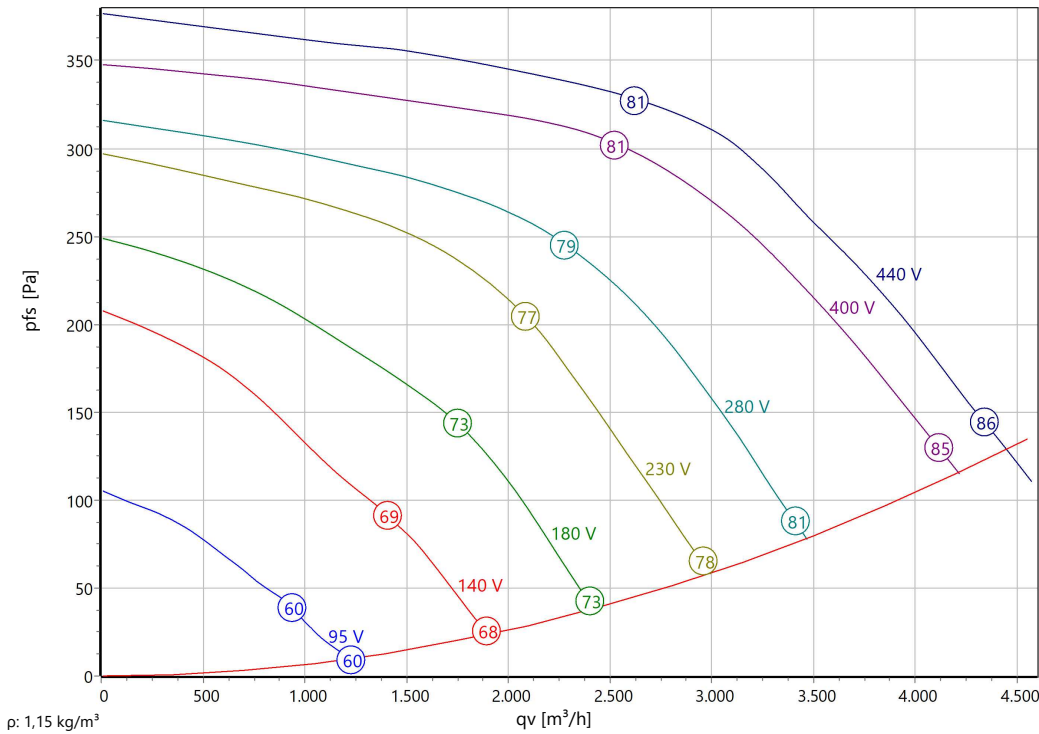




Type: **DRAD 250-4 Ex II 3G Ex h IIB T3 Gc X**  
 Part no.: C81-25070



**Curve:**



**Nominal Data:**

U [V]	f [Hz]	C [µF]	Pe [kW]	IN [A]	nN [r/min]	tR [°C]	pfs,min [Pa]	IA / IN	IP	m [kg]
400 D	50	-	1,2	2,15	1230	40	115	-	IP 44	-

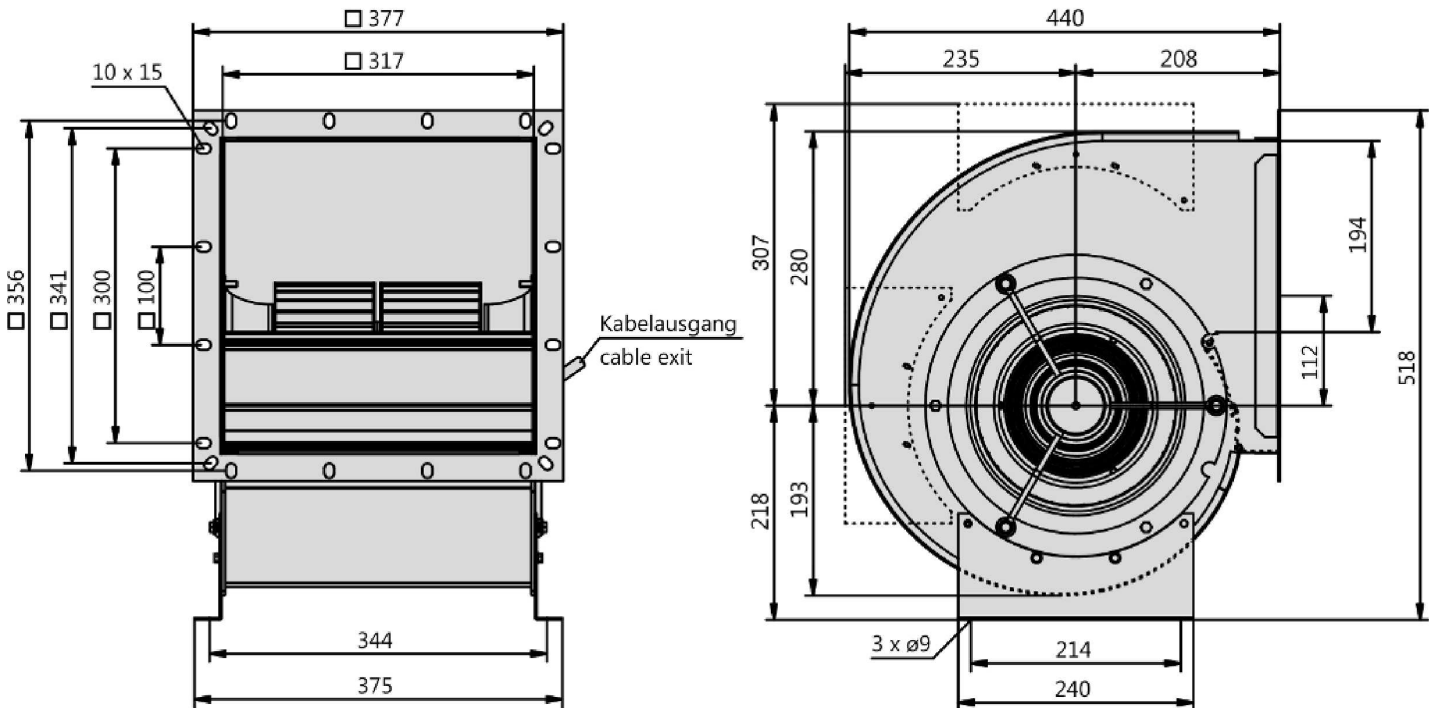
**Sound Data:**

Frequency	$\Sigma$	125Hz	250Hz	500Hz	1kHz	2kHz	4kHz	8kHz	Distances	1 m	4 m
LwA(B,in) [dB(A)]	-3	-21	-16	-13	-8	-7	-13	-19	LpA(B,in) [dB(A)]	-10	-20
LwA(B,out) [dB(A)]		-21	-13	-8	-4	-7	-8	-15	LpA(B,out) [dB(A)]	-7	-17



Type: **DRAD 250-4 Ex II 3G Ex h IIB T3 Gc X**

Part no.: C81-25070





Type: **DRAD 250-4 Ex II 3G Ex h IIB T3 Gc X**  
 Part no.: C81-25070



Drehstrommotor, explosionsgeschützt mit Temperaturfühler (TP).  
 Drehrichtungsänderung durch Vertauschen von 2 Phasen.

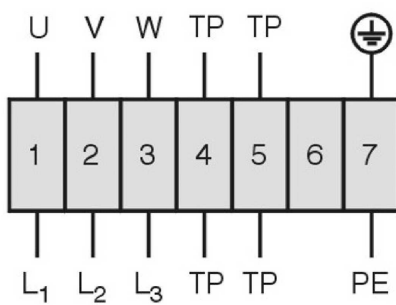
**Three phase motor, explosion-proof with temperature sensor (TP).**

**Changing of rotation direction by interchanging of 2 phases.**

*Moteur triphasé protégé contre les explosions avec sonde de température (TP).*

*Changement de sens de rotation par inversion de deux phases.*

TK3-20036



U braun / brown / brun  
 V blau oder grau  
 blue or grey  
 bleu or gris  
 W schwarz / black / noir  
 TP weiß / white / blanc  
 PE gelb-grün  
 yellow-green  
 jaune-vert

01.063

### Centrifugal fan (explosion proof)

Equipment category 3 - Zone 2

Fluidic optimized scroll casing made from galvanised sheet metal. Double inlet. Stands respectively casing mountable in all 90° positions. Double inlet impeller made of galvanized steel sheet with forward curved blades. Due to the high number of blades results in a sound optimized and at the same time compact design. Inlet cone made from conductive plastic. Voltage controllable explosion proof AC external rotor motor. Protection class IP44. Maintenance free ball bearings, closed on both sides with long-term lubrication. Motor coated black and/or die casted aluminum. Standard configuration with cable. Positive Temperature Coefficient (PTC) thermistors in accordance to DIN 44082 are inlaid into the motor windings. To function as a protective motor switch, the PTC resistors must be connected to a triggering device with the identification Ex II(2)G. Isolation Class F. Ignition protection Ex eb or Ex ec. Motorized Impeller statically and dynamically balanced according to DIN ISO 21940-11 with quality level G2.5. The electrical connection via lead out connection cable.

Those fans are designed and manufactured to be operated in vaporous explosive atmosphere. They are marked in accordance with the Atex directive 2014/34/EU: **II 3G Ex h IIB T3 Gc X**

Fan complies with the guidelines required (Machinery-, Atex- and EMC Directive) to comply with installation and conformity declaration as well as CE marking.

#### Nominal Data:

Voltage  
400 D V  
Frequency  
50 Hz  
Input power  
1,2 kW  
Current  
2,15 A  
Speed  
1230 r/min  
Medium temperature  
40 °C  
Protection Mode  
IP 44  
Dimensions  
440 mm / 377 mm / 518 mm

#### Contact:

Rosenberg Ventilatoren BV  
Elandlaan 8  
NL - 3734 CP Den Dolder  
[www.rosenberg.nl](http://www.rosenberg.nl)

#### Type:

DRAD 250-4 Ex II 3G Ex h IIB T3 Gc X

#### Article-No.:

C81-25070

