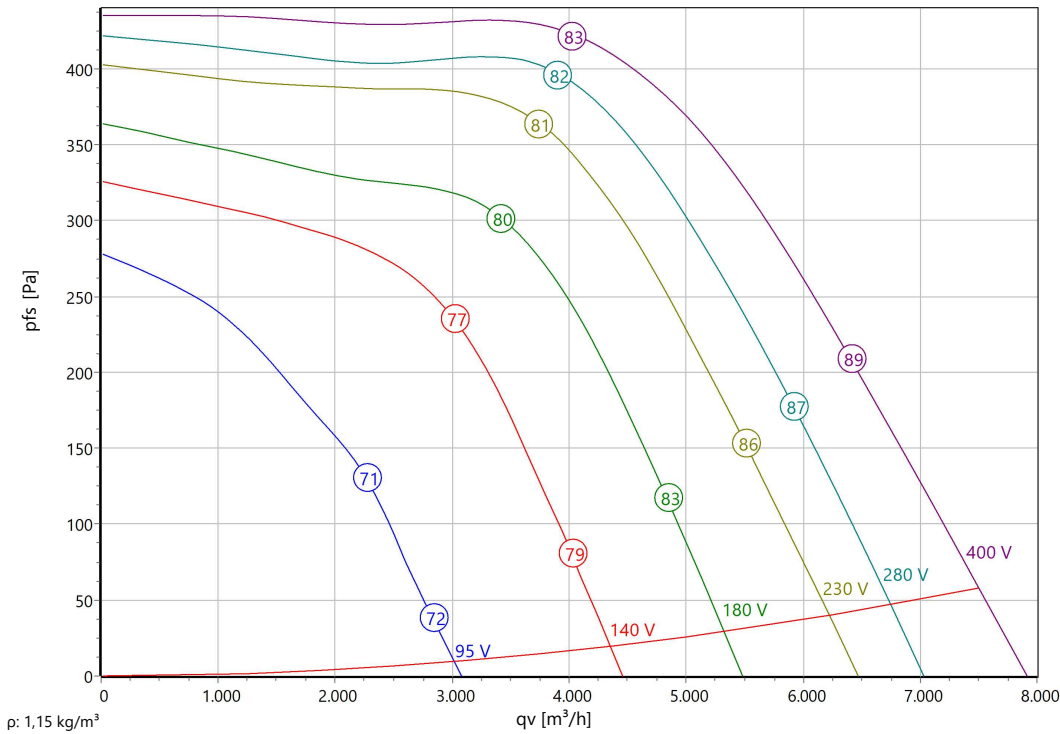




Type: **DRAD 280-4 Ex II 3G Ex h IIB T3 Gc X**
Part no.: C81-28070



Curve:



Nominal Data:

ΔI 12 %

U [V]	f [Hz]	C [μF]	Pe [kW]	IN [A]	nN [r/min]	tR [°C]	pfs,min [Pa]	IA / IN	IP	m [kg]
400 D	50	-	3,1	5,7	1360	40	60	5	IP 44	-

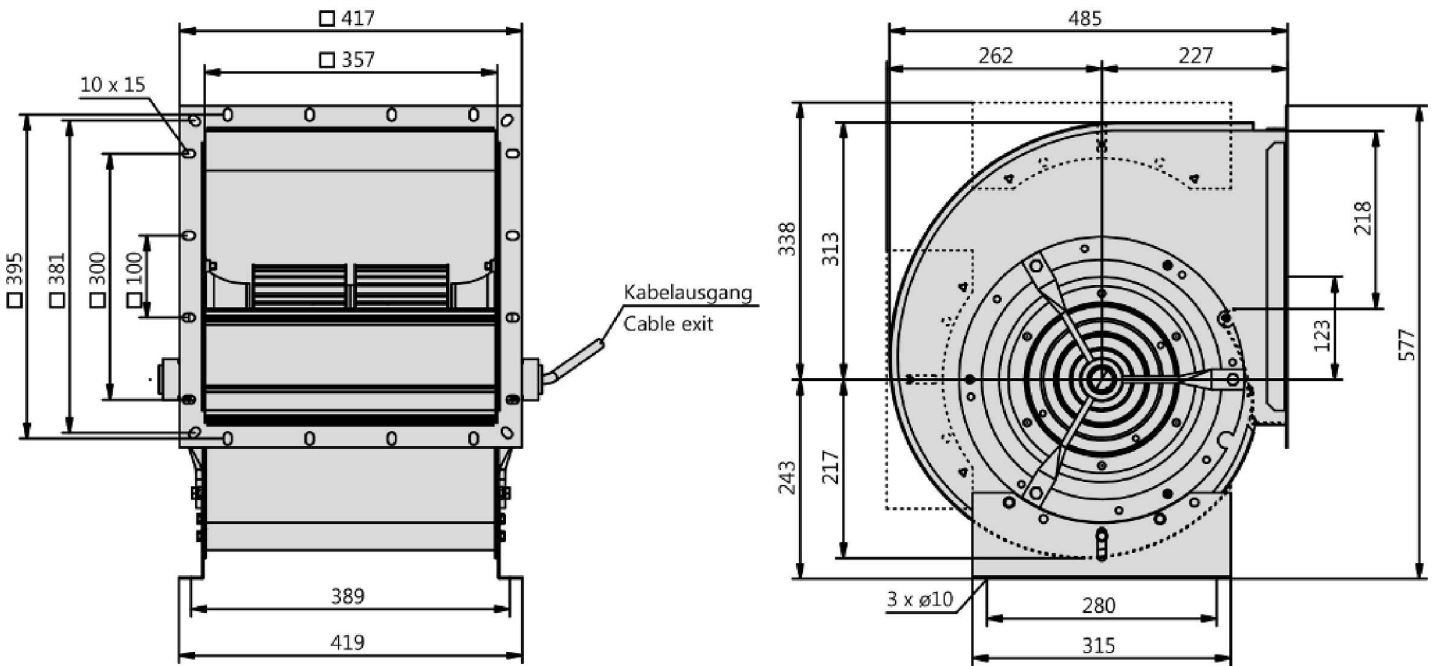
Sound Data:

Frequency	Σ	125Hz	250Hz	500Hz	1kHz	2kHz	4kHz	8kHz	Distances	1 m	4 m
LwA(B,in) [dB(A)]	-3	-21	-16	-13	-8	-7	-13	-19	LpA(B,in) [dB(A)]	-10	-20
LwA(B,out) [dB(A)]		-21	-13	-8	-4	-7	-8	-15	LpA(B,out) [dB(A)]	-7	-17



Type: **DRAD 280-4 Ex II 3G Ex h IIB T3 Gc X**

Part no.: C81-28070





Type: **DRAD 280-4 Ex II 3G Ex h IIB T3 Gc X**
 Part no.: C81-28070

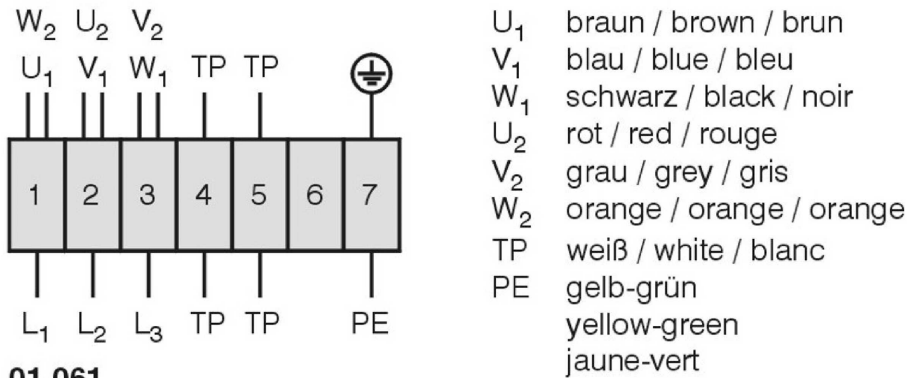


Drehstrommotor, explosionsgeschützt in Δ -Schaltung mit Temperaturfühler (TP). Drehrichtungsänderung durch Vertauschen von 2 Phasen.

Three phase motor, explosion-proof in delta (Δ) connection with temperature sensor (TP). Changing of rotation direction by interchanging of 2 phases.

Moteur triphasé protégé contre les explosions et branché en delta (Δ) avec sonde de température (TP). Changement de sens de rotation par inversion de deux phases.

TK3-20066



01.061

Centrifugal fan (explosion proof)

Equipment category 3 - Zone 2

Fluidic optimized scroll casing made from galvanised sheet metal. Double inlet. Stands respectively casing mountable in all 90° positions. Double inlet impeller made of galvanized steel sheet with forward curved blades. Due to the high number of blades results in a sound optimized and at the same time compact design. Inlet cone made from conductive plastic. Voltage controllable explosion proof AC external rotor motor. Protection class IP44. Maintenance free ball bearings, closed on both sides with long-term lubrication. Motor coated black and/or die casted aluminum. Standard configuration with cable. Positive Temperature Coefficient (PTC) thermistors in accordance to DIN 44082 are inlaid into the motor windings. To function as a protective motor switch, the PTC resistors must be connected to a triggering device with the identification Ex II(2)G. Isolation Class F. Ignition protection Ex eb or Ex ec. Motorized Impeller statically and dynamically balanced according to DIN ISO 21940-11 with quality level G2.5. The electrical connection via lead out connection cable.

Those fans are designed and manufactured to be operated in vaporous explosive atmosphere. They are marked in accordance with the Atex directive 2014/34/EU: **II 3G Ex h IIB T3 Gc X**

Fan complies with the guidelines required (Machinery-, Atex- and EMC Directive) to comply with installation and conformity declaration as well as CE marking.

Nominal Data:

Voltage
400 D V
Frequency
50 Hz
Input power
3,1 kW
Current
5,7 A
Speed
1360 r/min
Medium temperature
40 °C
Protection Mode
IP 44
Dimensions
485 mm / 417 mm / 577 mm

Contact:

Rosenberg Ventilatoren BV
Elandlaan 8
NL - 3734 CP Den Dolder
www.rosenberg.nl

Type:

DRAD 280-4 Ex II 3G Ex h IIB T3 Gc X

Article-No.:

C81-28070

