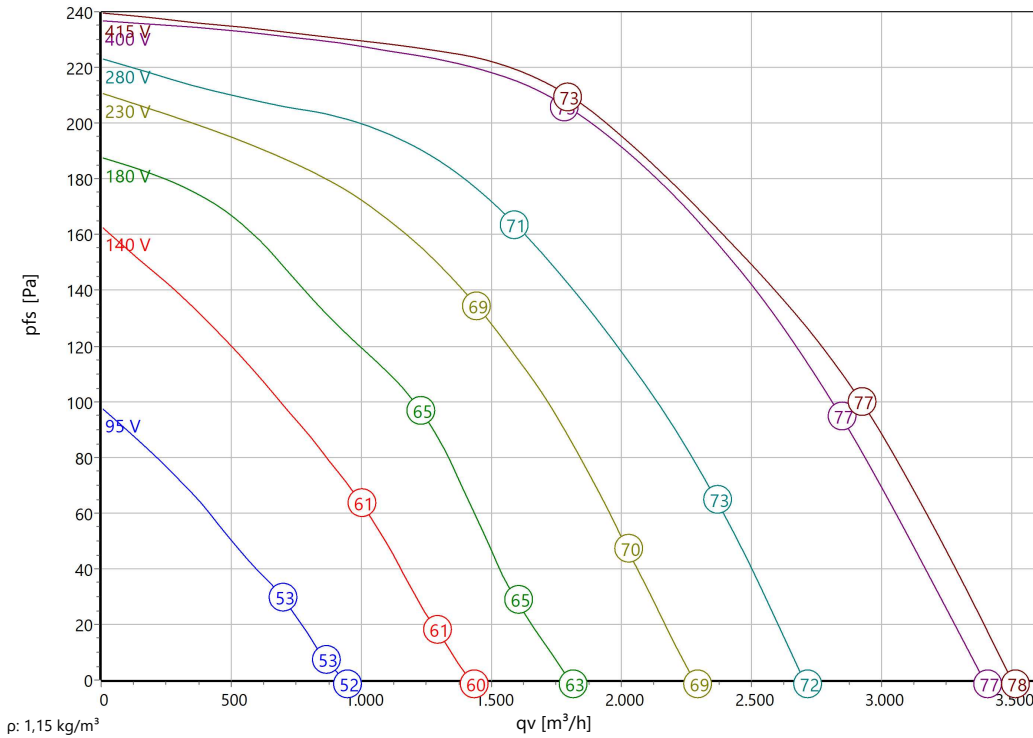




Type: **EKAD 315-6 Ex II 2G Ex h IIB T3 Gb X**
 Part no.: D80-31573



Curve:



Nominal Data:

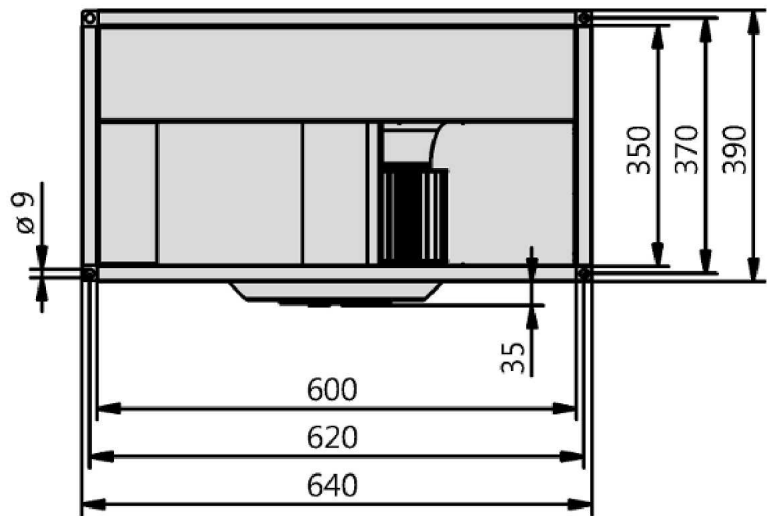
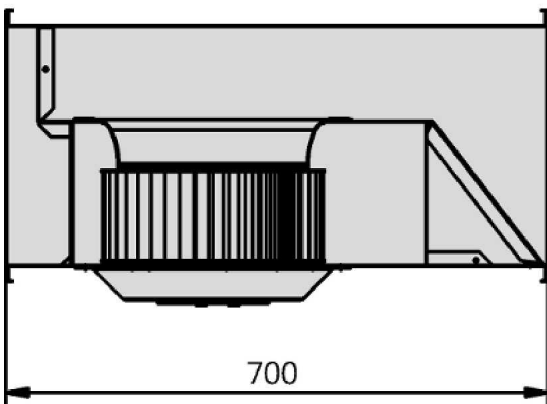
U [V]	f [Hz]	C [μF]	Pe [kW]	IN [A]	nN [r/min]	tR [°C]	k10 [m ² s/h]	IA / IN	IP	m [kg]
400 D	50	-	0,71	1,35	730	40	-	2	IP 44	37,5

Sound Data:

Frequency	Σ	125Hz	250Hz	500Hz	1kHz	2kHz	4kHz	8kHz	Distances	1 m	4 m
LwA(D,in) [dB(A)]	-6	-23	-21	-13	-12	-12	-13	-20	LpA(D,in) [dB(A)]	-13	-23
LwA(D,out) [dB(A)]		-22	-13	-7	-6	-5	-7	-15	LpA(D,out) [dB(A)]	-7	-17
LwA(D,cas) [dB(A)]	-17	-27	-26	-21	-24	-26	-31	-38	LpA(D,cas) [dB(A)]	-24	-34



Type: **EKAD 315-6 Ex II 2G Ex h IIB T3 Gb X**
Part no.: D80-31573





Type: **EKAD 315-6 Ex II 2G Ex h IIB T3 Gb X**
 Part no.: D80-31573

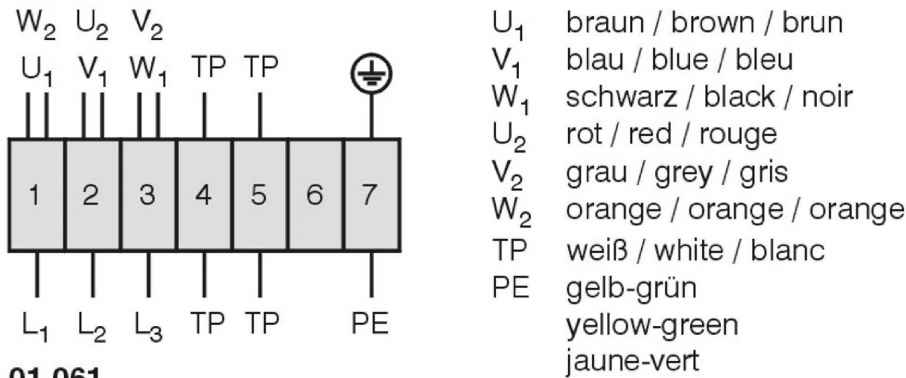


Drehstrommotor, explosionsgeschützt in Δ -Schaltung mit Temperaturfühler (TP). Drehrichtungsänderung durch Vertauschen von 2 Phasen.

Three phase motor, explosion-proof in delta (Δ) connection with temperature sensor (TP). Changing of rotation direction by interchanging of 2 phases.

Moteur triphasé protégé contre les explosions et branché en delta (Δ) avec sonde de température (TP). Changement de sens de rotation par inversion de deux phases.

TK3-20066



01.061

Duct fan (explosion proof)

Equipment category 2 - Zone 1

Casings are made of galvanized sheet steel, formed as a rectangular duct for direct installation into air ducts. Standard flanges are installed on inlet and outlet side. This allows simple and quick connection to the duct section. Mounting either with horizontal or vertical motor shaft. Single inlet impeller made of galvanized steel sheet with forward curved blades. Due to the high number of blades results in a sound optimized and at the same time compact design. Inlet cone made from copper. Voltage controllable explosion proof AC external rotor motor. Protection class IP44. Maintenance free ball bearings, closed on both sides with long-term lubrication. Motor coated black and/or die casted aluminum. Standard configuration with cable. Positive Temperature Coefficient (PTC) thermistors in accordance to DIN 44082 are inlaid into the motor windings. To function as a protective motor switch, the PTC resistors must be connected to a triggering device with the identification Ex II(2)G. Isolation Class F. Ignition protection Ex eb or Ex ec. Motorized Impeller statically and dynamically balanced according to DIN ISO 21940-11 at least with quality level G6.3. The electrical connection via lead out connection cable.

Fan complies with the guidelines required (Machinery-, Atex- and EMC Directive) to comply with installation and conformity declaration as well as CE marking.

Those fans are designed and manufactured to be operated in vaporous explosive atmosphere. They are marked in accordance with the Atex directive 2014/34/EU: **II 2G Ex h IIB T3 Gb X**

Nominal Data:

Voltage
400 D V
Frequency
50 Hz
Input power
0,71 kW
Current
1,35 A
Speed
730 r/min
Medium temperature
40 °C
Protection Mode
IP 44
Weight
37,5 kg
Dimensions
700 mm / 640 mm / 390 mm

Contact:

Rosenberg Ventilatoren BV
Elandlaan 8
NL - 3734 CP Den Dolder
www.rosenberg.nl

Type:

EKAD 315-6 Ex II 2G Ex h IIB T3 Gb X

Article-No.:

D80-31573
