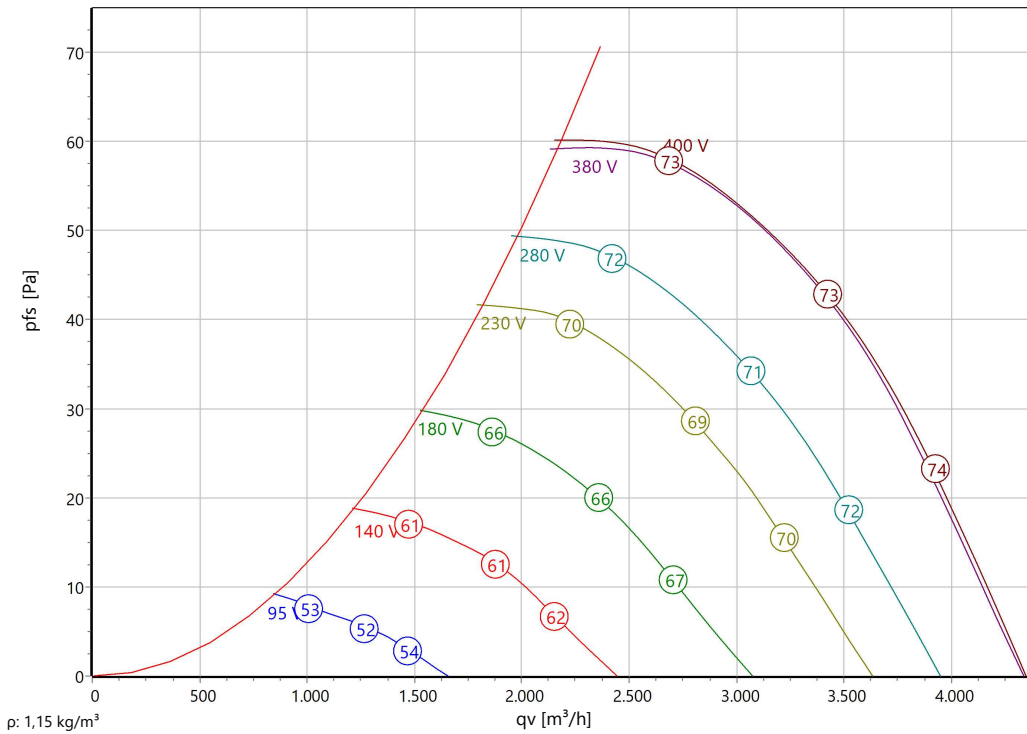




Type: **DQ 400-4 Ex II 3G Ex h IIB T3 Gc X**
 Part no.: E00-40075



Curve:



Nominal Data:

U [V]	f [Hz]	C [μF]	Pe [kW]	IN [A]	nN [r/min]	tR [°C]	k10 [m²s/h]	IA / IN	IP	m [kg]
400 D	50	-	0,19	0,4	1360	40	-	3,2	IP 44	-

Sound Data:

Frequency	Σ	125Hz	250Hz	500Hz	1kHz	2kHz	4kHz	8kHz	Distances	1 m	4 m
LwA(A,in) [dB(A)]		-20	-15	-6	-6	-5	-9	-18	LpA(A,in) [dB(A)]	-7	-17

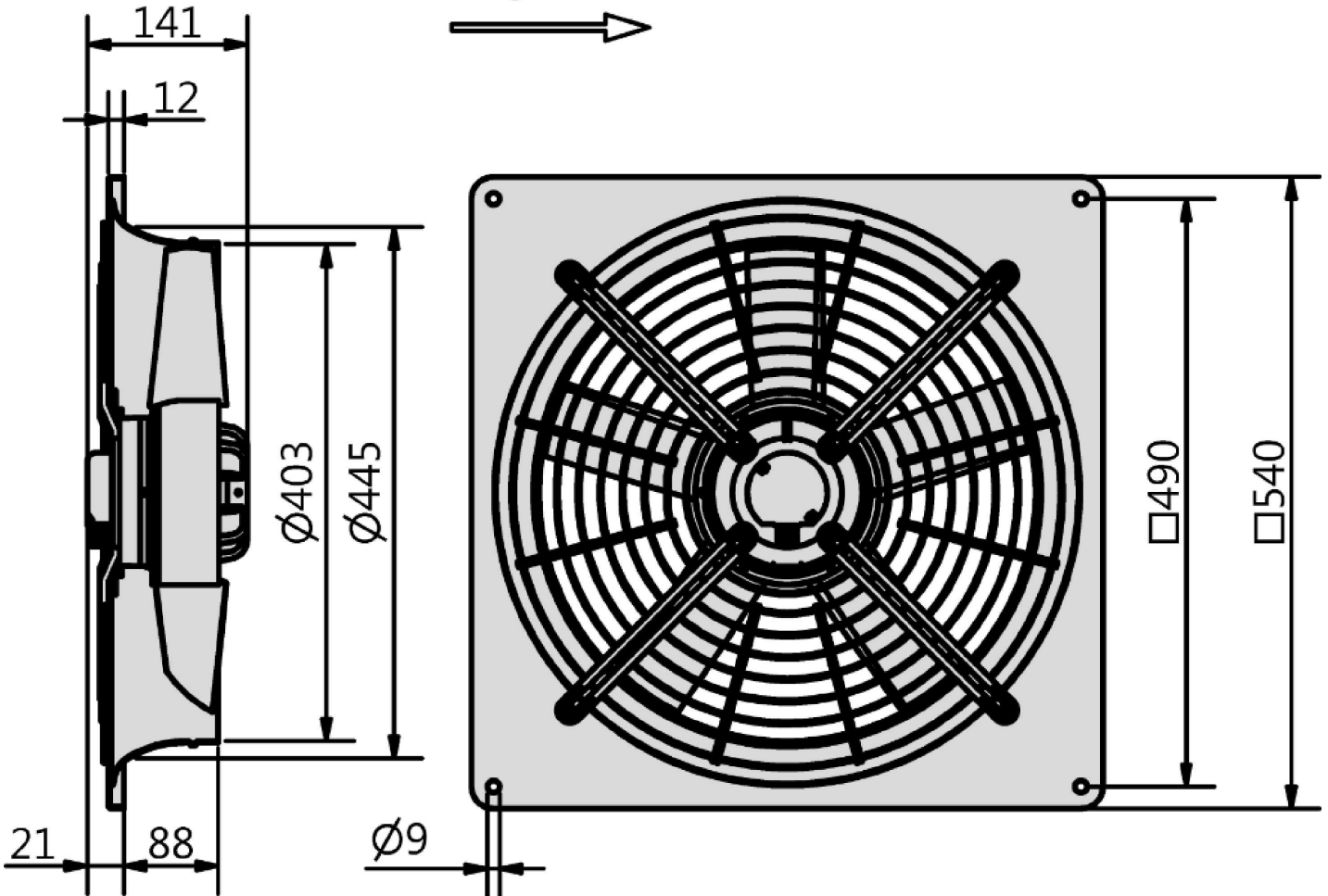


Type: **DQ 400-4 Ex II 3G Ex h IIB T3 Gc X**

Part no.: E00-40075



Förderrichtung / Air Direction "A"





Type: **DQ 400-4 Ex II 3G Ex h IIB T3 Gc X**
 Part no.: E00-40075

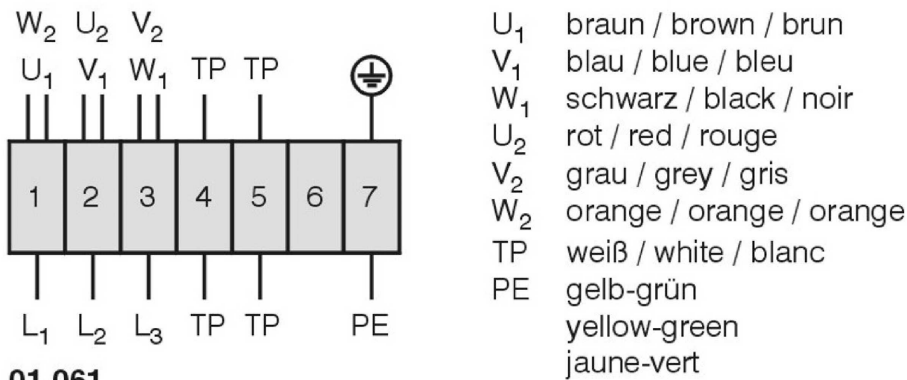


Drehstrommotor, explosionsgeschützt in Δ -Schaltung mit Temperaturfühler (TP). Drehrichtungsänderung durch Vertauschen von 2 Phasen.

Three phase motor, explosion-proof in delta (Δ) connection with temperature sensor (TP). Changing of rotation direction by interchanging of 2 phases.

Moteur triphasé protégé contre les explosions et branché en delta (Δ) avec sonde de température (TP). Changement de sens de rotation par inversion de deux phases.

TK3-20066



01.061

Axial fan (explosion proof)

Equipment category 3 - Zone 2

Blade made of plastic. Casing made from galvanized and plastic-coated steel, series plate mounted. Mounting either with horizontal or vertical motor shaft. Voltage controllable explosion proof AC external rotor motor. Protection class IP44. Maintenance free ball bearings, closed on both sides with long-term lubrication. Motor coated black and/or die casted aluminum. Standard configuration with cable. Positive Temperature Coefficient (PTC) thermistors in accordance to DIN 44082 are inlaid into the motor windings. To function as a protective motor switch, the PTC resistors must be connected to a triggering device with the identification Ex II(2)G. Isolation Class F. Ignition protection Ex ec. Motorized Impeller statically and dynamically balanced according to DIN ISO 21940-11 at least with quality level G6.3.

Fan complies with the guidelines required (Machinery-, Atex- and EMC Directive) to comply with installation and conformity declaration as well as CE marking.

Those fans are designed and manufactured to be operated in vaporous explosive atmosphere. They are marked in accordance with the Atex directive 2014/34/EU: **II 3G Ex h IIB T3 Gc X**

Nominal Data:

Voltage
400 D V
Frequency
50 Hz
Input power
0,19 kW
Current
0,4 A
Speed
1360 r/min
Medium temperature
40 °C
Protection Mode
IP 44

Contact:

Rosenberg Ventilatoren BV
Elandlaan 8
NL - 3734 CP Den Dolder
www.rosenberg.nl

Type:

DQ 400-4 Ex II 3G Ex h IIB T3 Gc X

Article-No.:

E00-40075