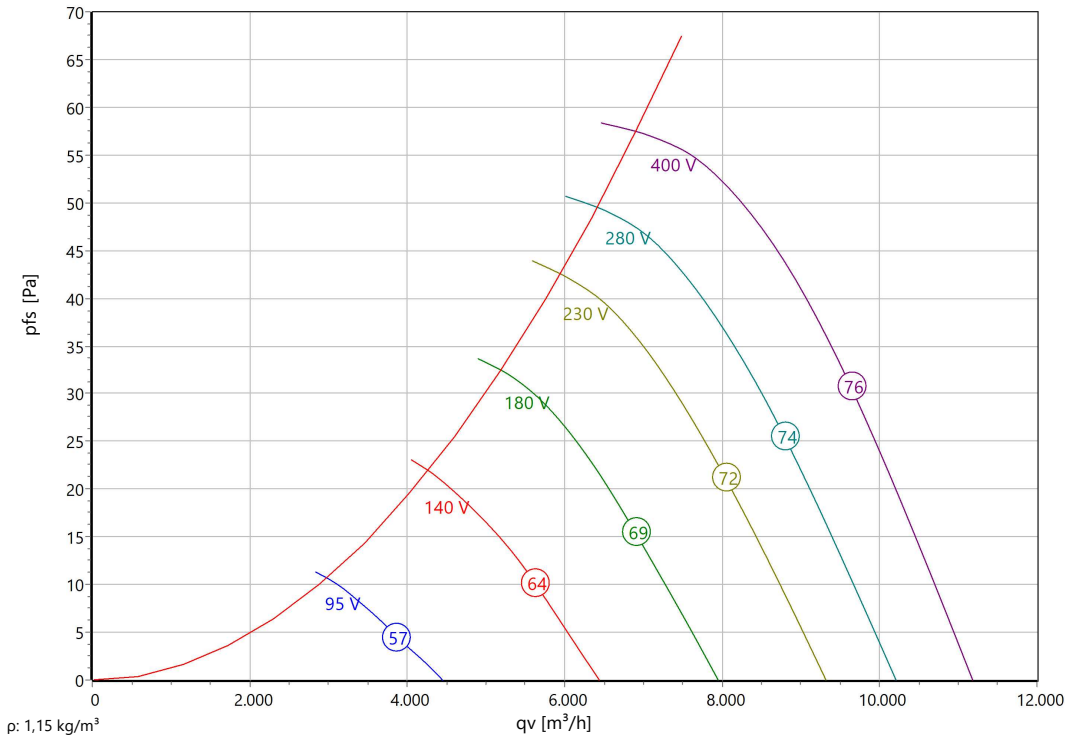




Type: **DQ 630-6 Ex II 3G Ex h IIB T3 Gc X**  
Part no.: E00-63075



**Curve:**



**Nominal Data:**

U [V]	f [Hz]	C [μF]	Pe [kW]	IN [A]	nN [r/min]	tR [°C]	k10 [m²s/h]	IA / IN	IP	m [kg]
400 D	50	-	0,51	1,2	910	40	-	3,2	IP 44	-

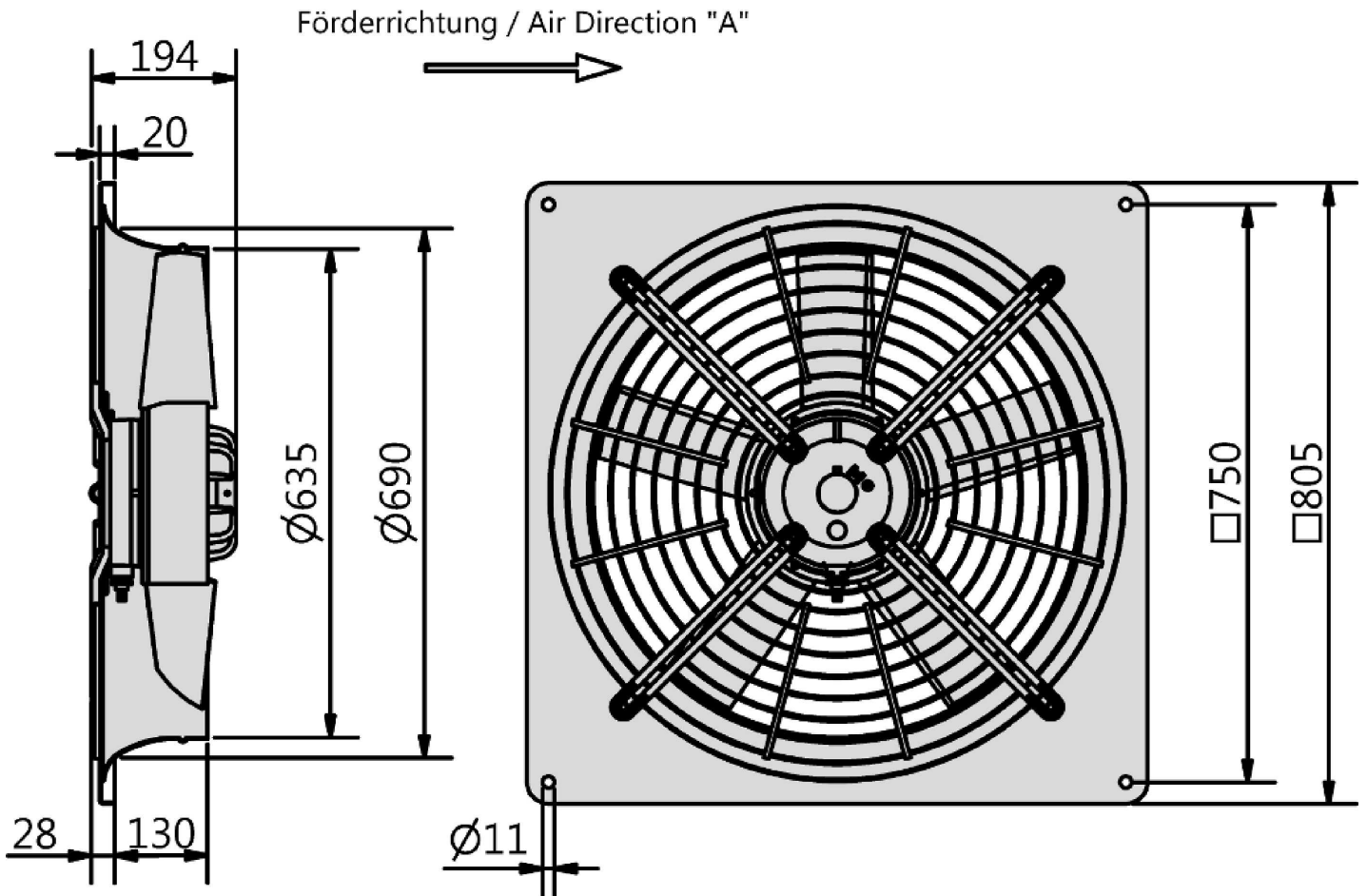
**Sound Data:**

Frequency	Σ	125Hz	250Hz	500Hz	1kHz	2kHz	4kHz	8kHz	Distances	1 m	4 m
LwA(A,in) [dB(A)]		-23	-12	-8	-7	-4	-8	-17	LpA(A,in) [dB(A)]	-7	-17



Type: **DQ 630-6 Ex II 3G Ex h IIB T3 Gc X**

Part no.: E00-63075





Type: **DQ 630-6 Ex II 3G Ex h IIB T3 Gc X**  
 Part no.: E00-63075

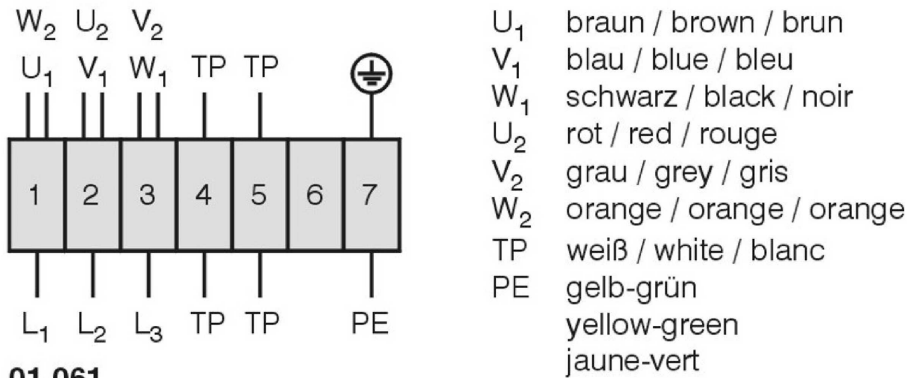


Drehstrommotor, explosionsgeschützt in  $\Delta$ -Schaltung mit Temperaturfühler (TP). Drehrichtungsänderung durch Vertauschen von 2 Phasen.

**Three phase motor, explosion-proof in delta ( $\Delta$ ) connection with temperature sensor (TP). Changing of rotation direction by interchanging of 2 phases.**

**Moteur triphasé protégé contre les explosions et branché en delta ( $\Delta$ ) avec sonde de température (TP). Changement de sens de rotation par inversion de deux phases.**

TK3-20066



01.061

### **Axial fan (explosion proof)**

Equipment category 3 - Zone 2

Blade made of plastic. Casing made from galvanized and plastic-coated steel, series plate mounted. Mounting either with horizontal or vertical motor shaft. Voltage controllable explosion proof AC external rotor motor. Protection class IP44. Maintenance free ball bearings, closed on both sides with long-term lubrication. Motor coated black and/or die casted aluminum. Standard configuration with cable. Positive Temperature Coefficient (PTC) thermistors in accordance to DIN 44082 are inlaid into the motor windings. To function as a protective motor switch, the PTC resistors must be connected to a triggering device with the identification Ex II(2)G. Isolation Class F. Ignition protection Ex ec. Motorized Impeller statically and dynamically balanced according to DIN ISO 21940-11 at least with quality level G6.3.

Fan complies with the guidelines required (Machinery-, Atex- and EMC Directive) to comply with installation and conformity declaration as well as CE marking.

Those fans are designed and manufactured to be operated in vaporous explosive atmosphere. They are marked in accordance with the Atex directive 2014/34/EU: **II 3G Ex h IIB T3 Gc X**

### **Nominal Data:**

Voltage

400 D V

Frequency

50 Hz

Input power

0,51 kW

Current

1,2 A

Speed

910 r/min

Medium temperature

40 °C

Protection Mode

IP 44

### **Contact:**

Rosenberg Ventilatoren BV

Elandlaan 8

NL - 3734 CP Den Dolder

[www.rosenberg.nl](http://www.rosenberg.nl)

### **Type:**

DQ 630-6 Ex II 3G Ex h IIB T3 Gc X

### **Article-No.:**

E00-63075