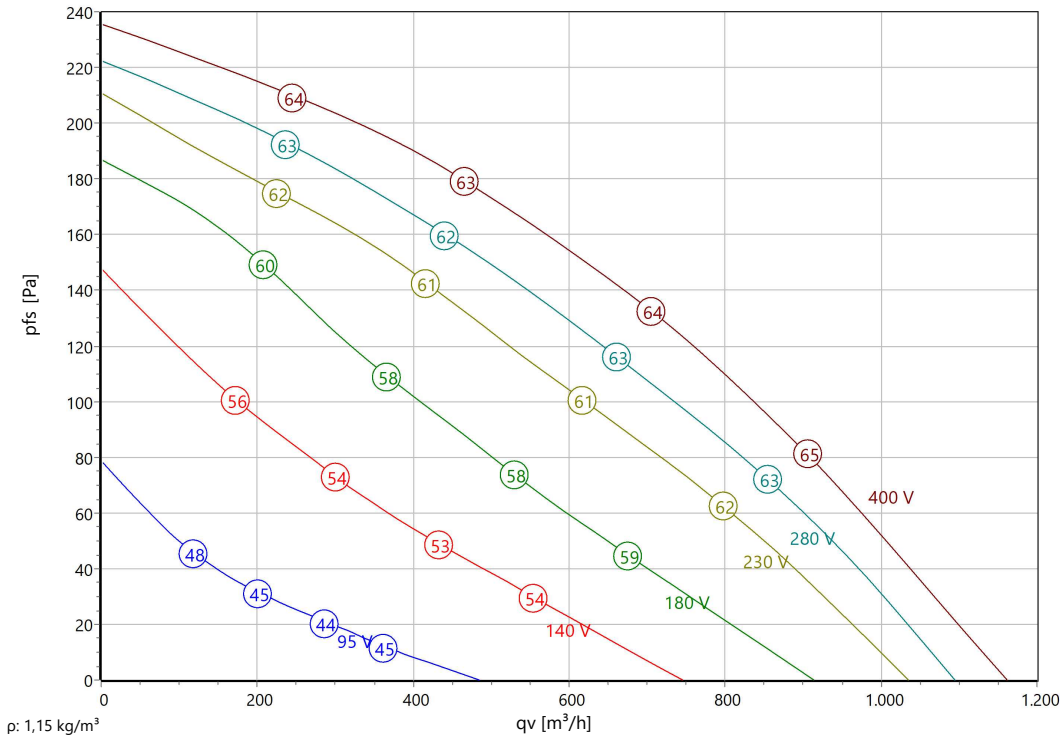




Type: **R 315 Ex II 3G Ex h IIB T3 Gc X**
 Part no.: F00-31570



Curve:



Nominal Data:

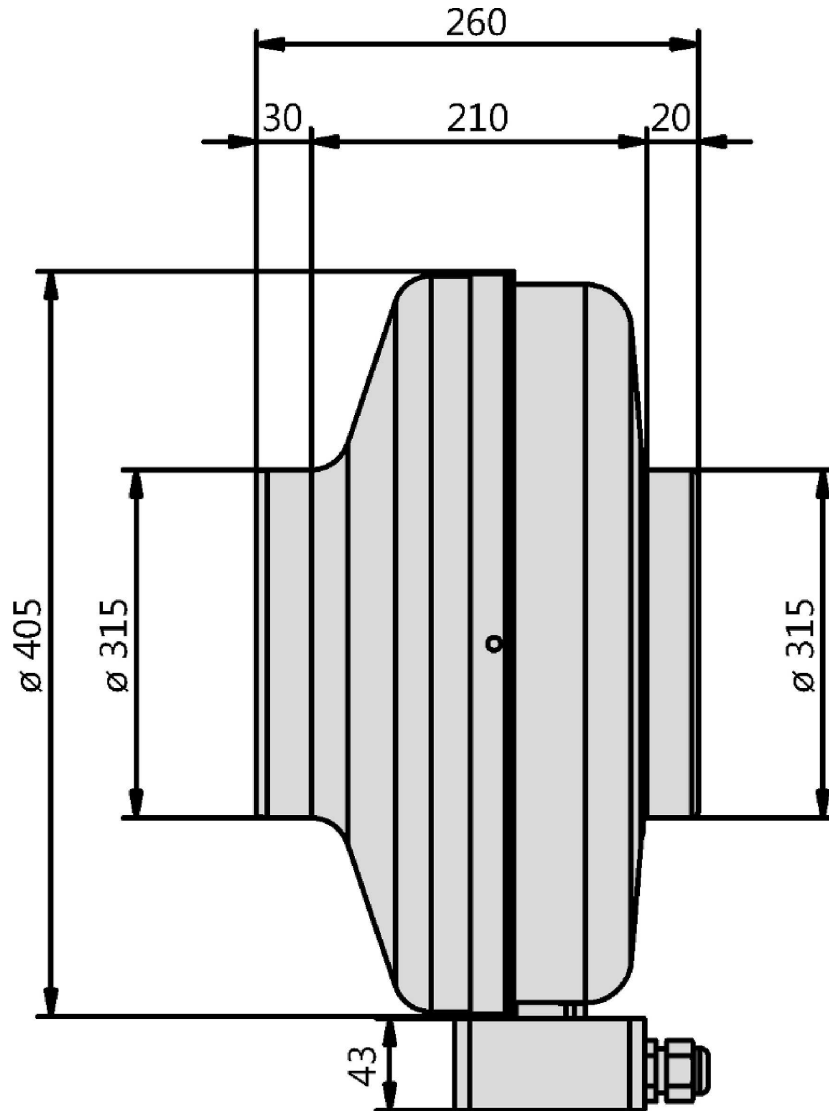
U [V]	f [Hz]	C [μF]	Pe [kW]	IN [A]	nN [r/min]	tR [°C]	k10 [m ² /h]	IA / IN	IP	m [kg]
400 Y	50	-	0,1	0,23	1405	40	-	3,9	IP 44	7

Sound Data:

Frequency	Σ	125Hz	250Hz	500Hz	1kHz	2kHz	4kHz	8kHz	Distances	1 m	4 m
LwA(D,in) [dB(A)]		-23	-13	-6	-5	-6	-10	-15	LpA(D,in) [dB(A)]	-7	-17
LwA(D,out) [dB(A)]		-17	-12	-10	-5	-5	-8	-15	LpA(D,out) [dB(A)]	-7	-17
LwA(D,cas) [dB(A)]	-16	-29	-25	-22	-21	-23	-28	-37	LpA(D,cas) [dB(A)]	-23	-33



Type: **R 315 Ex II 3G Ex h IIB T3 Gc X**
Part no.: F00-31570





Type: **R 315 Ex II 3G Ex h IIB T3 Gc X**
 Part no.: F00-31570



Drehstrommotor, explosionsgeschützt mit Temperaturfühler (TP).
 Drehrichtungsänderung durch Vertauschen von 2 Phasen.

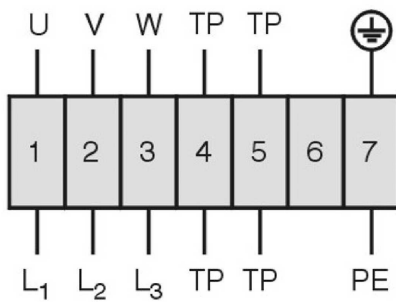
Three phase motor, explosion-proof with temperature sensor (TP).

Changing of rotation direction by interchanging of 2 phases.

Moteur triphasé protégé contre les explosions avec sonde de température (TP).

Changement de sens de rotation par inversion de deux phases.

TK3-20036



- U braun / brown / brun
- V blau oder grau
blue or grey
bleu or gris
- W schwarz / black / noir
- TP weiß / white / blanc
- PE gelb-grün
yellow-green
jaune-vert

01.063

Tube fan (explosion proof)

Equipment category 3 - Zone 2

The casing is made from shock-proof, recyclable black plastic (PA 6.6 + GF). Inlet and outlet side with duct connection for standard round ducts. Not gas-tight. Mounting either with horizontal or vertical motor shaft. While the backward-curved impellers with wheel body are made of conductive PVC, the support plate is made of galvanized sheet steel. All of the components are mounted directly to the rotors of the external rotor motors. Voltage controllable explosion proof AC external rotor motor. Protection class IP44. Maintenance free ball bearings, closed on both sides with long-term lubrication. Motor coated black and/or die casted aluminum. Standard configuration with cable. Positive Temperature Coefficient (PTC) thermistors in accordance to DIN 44082 are inlaid into the motor windings. To function as a protective motor switch, the PTC resistors must be connected to a triggering device with the identification Ex II(2) G. Isolation Class F. Ignition protection Ex eb or Ex ec. Motorized Impeller statically and dynamically balanced according to DIN ISO 21940-11 at least with quality level G6.3. The electrical connection via lead out connection cable.

Fan complies with the guidelines required (Machinery-, Atex- and EMC Directive) to comply with installation and conformity declaration as well as CE marking.

Those fans are designed and manufactured to be operated in vaporous explosive atmosphere. They are marked in accordance with the Atex directive 2014/34/EU: **II 3G Ex h IIB T3 Gc X**

Nominal Data:

Voltage
400 Y V
Frequency
50 Hz
Input power
0,1 kW
Current
0,23 A
Speed
1405 r/min
Medium temperature
40 °C
Protection Mode
IP 44
Weight
7 kg
Dimensions
260 mm / 405 mm / 405 mm

Contact:

Rosenberg Ventilatoren BV
Elandlaan 8
NL - 3734 CP Den Dolder
www.rosenberg.nl

Type:

R 315 Ex II 3G Ex h IIB T3 Gc X

Article-No.:

F00-31570
