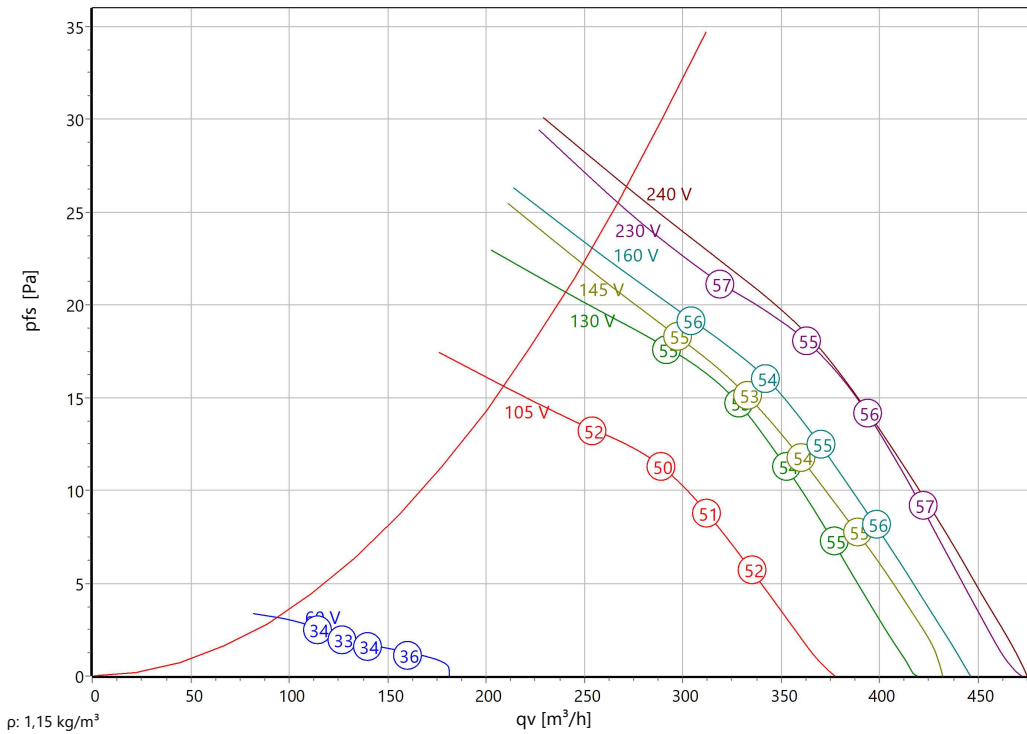




Type: **EQ 200-4.3BF**
 Part no.: E00-20000



Curve:



Nominal Data:

U [V]	f [Hz]	C [µF]	Pe [kW]	IN [A]	nN [r/min]	tR [°C]	k10 [m²s/h]	IA / IN	IP	m [kg]
1~230	50	1,5	0,032	0,15	1390	-25 .. +70	-	1,7	IP 44	2,5

Sound Data:

Frequency	Σ	125Hz	250Hz	500Hz	1kHz	2kHz	4kHz	8kHz	Distances	1 m	5 m
LwA(A,in) [dB(A)]		-23	-7	-7	-5	-6	-16	-23	LpA(A,in) [dB(A)]	-7	-18
LwA(A,out) [dB(A)]		-24	-6	-6	-5	-9	-13	-22	LpA(A,out) [dB(A)]	-7	-18

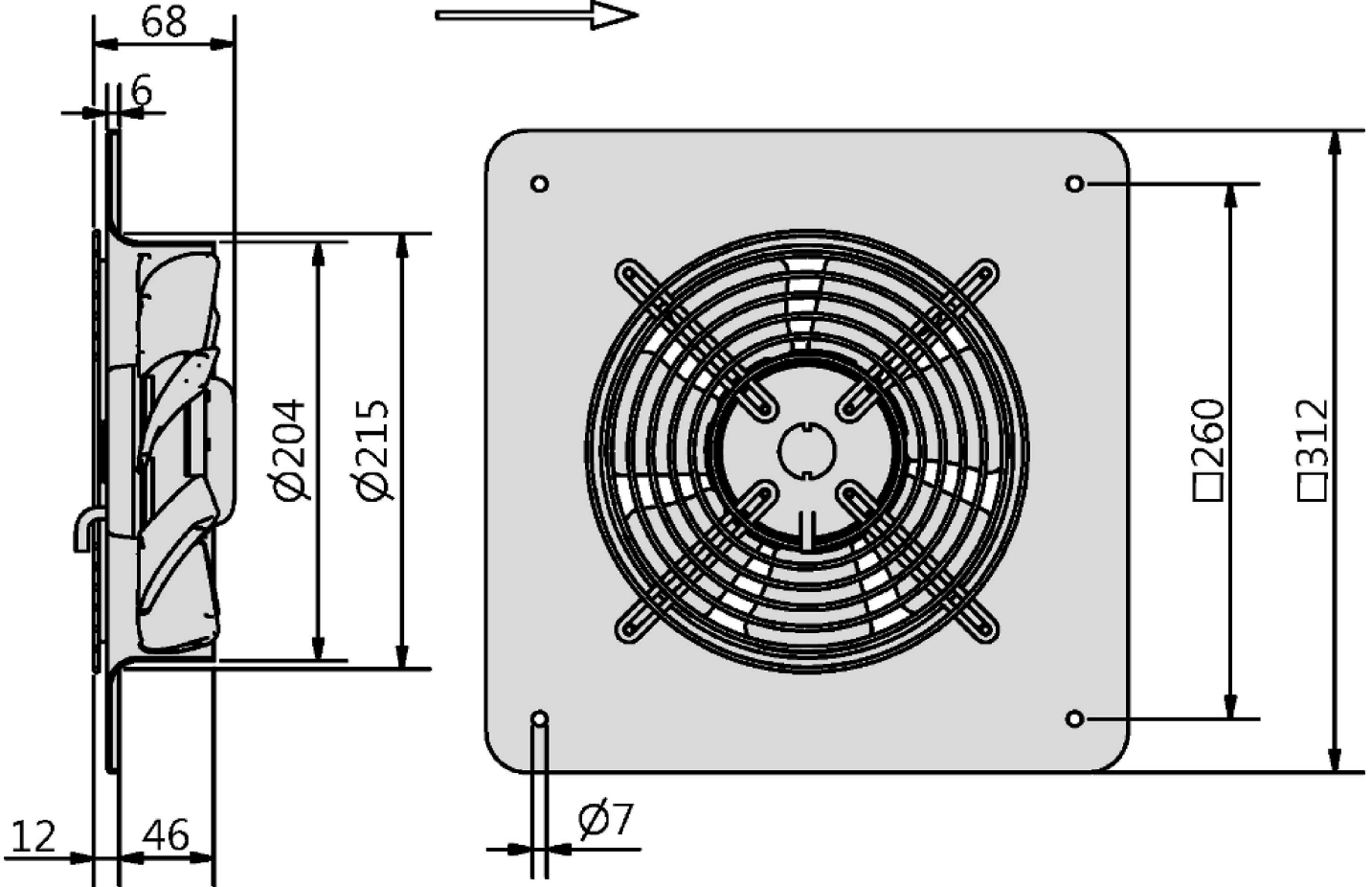


Type: **EQ 200-4.3BF**

Part no.: E00-20000



Förderrichtung / Air Direction "A"





Type: **EQ 200-4.3BF**
 Part no.: E00-20000

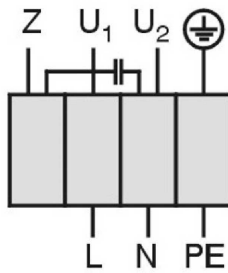


Einphasenwechselstrommotor mit Betriebskondensator und Thermostatschalter.
 Thermostatschalter intern mit der Wicklung in Reihe geschaltet.

**Single phase A.C. motor with operating capacitor and thermostatic switch.
 Thermostatic switch internal wired in series with windings.**

***Moteur monophasé avec condensateur permanent et interrupteur
 thermostatique en série avec le bobinage en cas de branchement***

TK3-20005



U₁ blau / blue / bleu
 U₂ schwarz / black / noir
 Z braun / brown / brun
 PE gelb-grün
 yellow-green
 jaun-vert

01.009

Axial fan

with square wall plate

Casing made from galvanized and plastic-coated steel, series plate mounted. Mounting either with horizontal or vertical motor shaft. Blade made of Polyamid (PA) UL95 V-0. Direct-driven single-phase alternating current motor and three-phase motor with class F insulation system. For single-phase motors, motor protection is provided by thermal contacts built into the winding and connected in series. Three-phase motors have no internal protection system and must be connected to an external protection system. When using an electronic voltage control unit or a frequency converter, a sine filter must be used. Maintenance-free ball bearings, closed on both sides, with long-term lubrication. Motorized Impeller statically and dynamically balanced according to DIN ISO 21940-11 at least with quality level G6.3. The electrical connection is mounted by a terminal box (loose). Air volume control is possible by the use of a step transformer (accessory).

Fan complies with the guidelines required (Machinery-, EMC- and Low Voltage Directive) to comply with installation and conformity declaration as well as CE marking.

Nominal Data:

Voltage

1~230 V

Frequency

50 Hz

Input power

0,032 kW

Current

0,15 A

Speed

1390 r/min

Medium temperature

70 °C

Protection Mode

IP 44

Weight

2,5 kg

Dimensions

312 mm / 312 mm / 68 mm

Contact:

Rosenberg Ventilatoren BV

Elandlaan 8

NL - 3734 CP Den Dolder

www.rosenberg.nl

Type:

EQ 200-4.3BF

Article-No.:

E00-20000