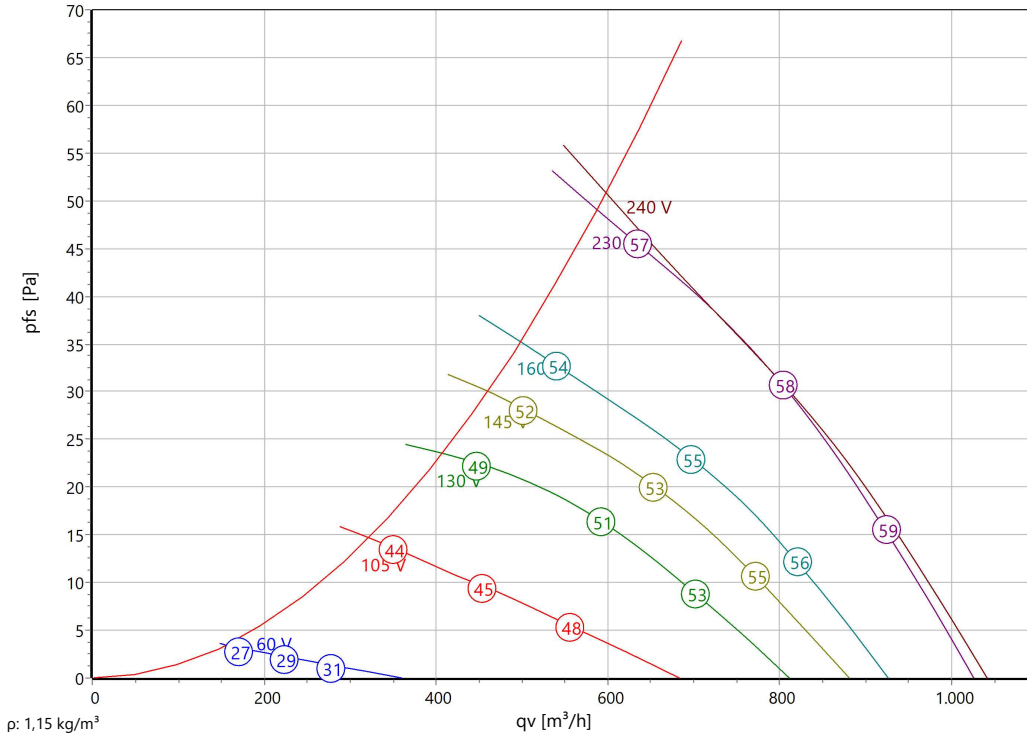




Type: **EQ 250-4.3CF**
 Part no.: E00-25000



Curve:



Nominal Data:

U [V]	f [Hz]	C [μF]	Pe [kW]	IN [A]	nN [r/min]	tR [°C]	k10 [m ² s/h]	IA / IN	IP	m [kg]
1~230	50	1,5	0,054	0,25	1315	-25 .. +70	-	1,6	IP 44	4

Sound Data:

Frequency	Σ	125Hz	250Hz	500Hz	1kHz	2kHz	4kHz	8kHz	Distances	1 m	5 m
LwA(A,in) [dB(A)]		-28	-11	-5	-6	-7	-9	-17	LpA(A,in) [dB(A)]	-7	-18
LwA(A,out) [dB(A)]		-24	-12	-7	-6	-5	-8	-19	LpA(A,out) [dB(A)]	-7	-18

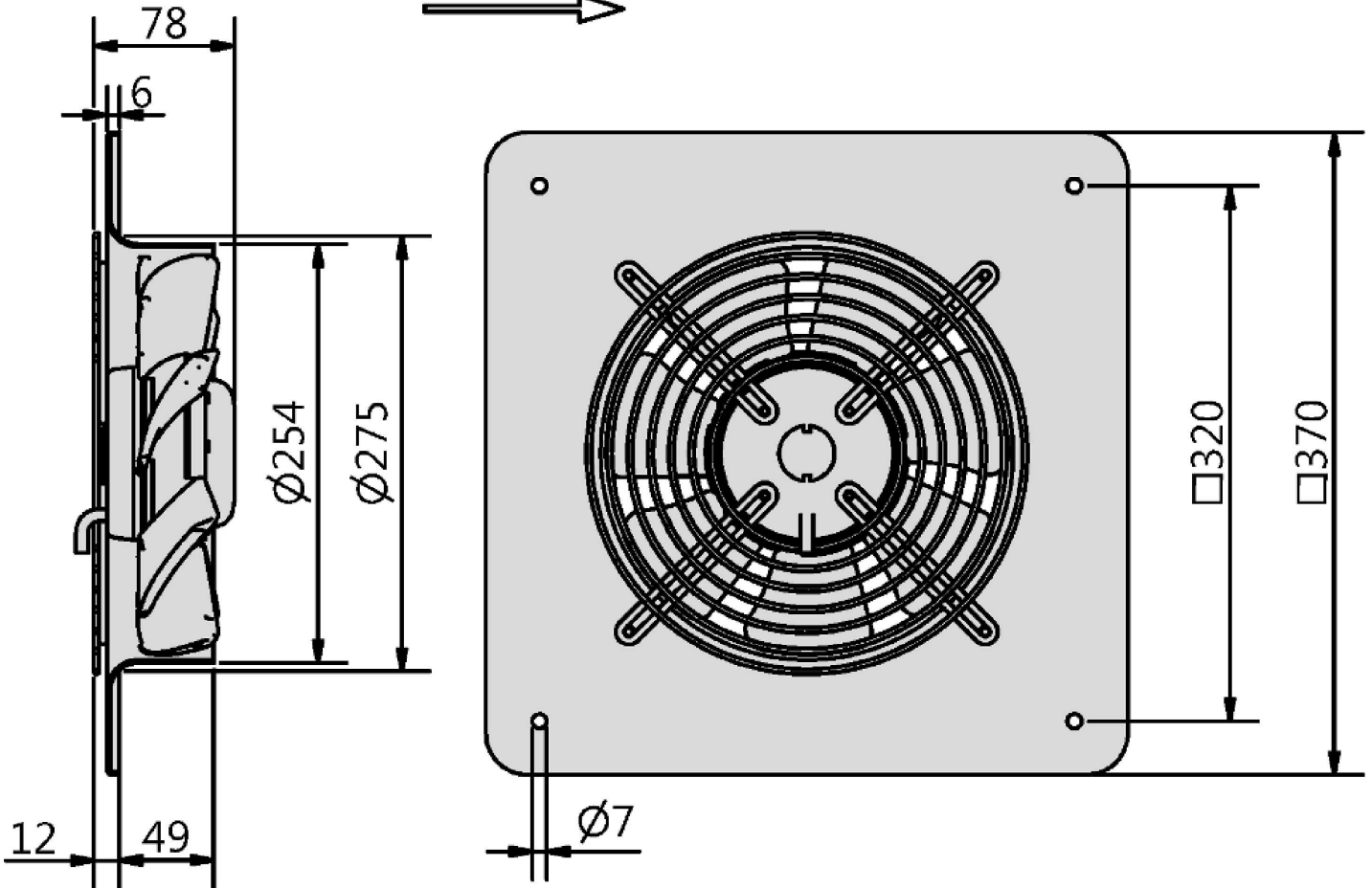


Type: **EQ 250-4.3CF**

Part no.: E00-25000



Förderrichtung / Air Direction "A"





Type: **EQ 250-4.3CF**
 Part no.: E00-25000

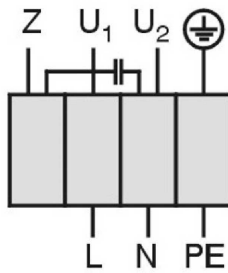


TK3-20005

Einphasenwechselstrommotor mit Betriebskondensator und Thermostatschalter.
 Thermostatschalter intern mit der Wicklung in Reihe geschaltet.

**Single phase A.C. motor with operating capacitor and thermostatic switch.
 Thermostatic switch internal wired in series with windings.**

***Moteur monophasé avec condensateur permanent et interrupteur
 thermostatique en série avec le bobinage en cas de branchement***



U₁ blau / blue / bleu
 U₂ schwarz / black / noir
 Z braun / brown / brun
 PE gelb-grün
 yellow-green
 jaun-vert

01.009

Axial fan

with square wall plate

Casing made from galvanized and plastic-coated steel, series plate mounted. Mounting either with horizontal or vertical motor shaft. Blade made of Polyamid (PA) UL95 V-0. Direct-driven single-phase alternating current motor and three-phase motor with class F insulation system. For single-phase motors, motor protection is provided by thermal contacts built into the winding and connected in series. Three-phase motors have no internal protection system and must be connected to an external protection system. When using an electronic voltage control unit or a frequency converter, a sine filter must be used. Maintenance-free ball bearings, closed on both sides, with long-term lubrication. Motorized Impeller statically and dynamically balanced according to DIN ISO 21940-11 at least with quality level G6.3. The electrical connection is mounted by a terminal box (loose). Air volume control is possible by the use of a step transformer (accessory).

Fan complies with the guidelines required (Machinery-, EMC- and Low Voltage Directive) to comply with installation and conformity declaration as well as CE marking.

Nominal Data:

Voltage

1~230 V

Frequency

50 Hz

Input power

0,054 kW

Current

0,25 A

Speed

1315 r/min

Medium temperature

70 °C

Protection Mode

IP 44

Weight

4 kg

Dimensions

370 mm / 370 mm / 78 mm

Contact:

Rosenberg Ventilatoren BV

Elandlaan 8

NL - 3734 CP Den Dolder

www.rosenberg.nl

Type:

EQ 250-4.3CF

Article-No.:

E00-25000