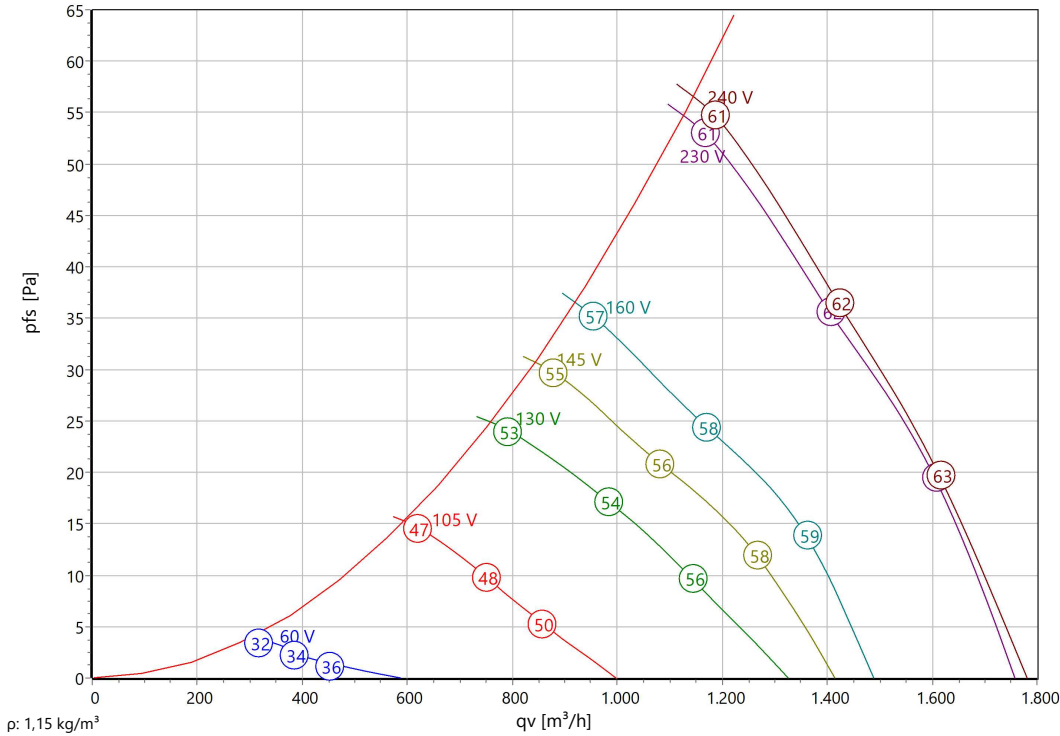




Type: **EQ 300-4.3DF**
Part no.: E00-30000



Curve:



Nominal Data:

U [V]	f [Hz]	C [µF]	Pe [kW]	IN [A]	nN [r/min]	tR [°C]	k10 [m²s/h]	IA / IN	IP	m [kg]
1~230	50	3	0,096	0,43	1280	-25 .. +55	-	1,6	IP 44	5

Sound Data:

Frequency	Σ	125Hz	250Hz	500Hz	1kHz	2kHz	4kHz	8kHz	Distances	1 m	5 m
LwA(A,in) [dB(A)]		-15	-8	-7	-6	-6	-10	-22	LpA(A,in) [dB(A)]	-7	-18
LwA(A,out) [dB(A)]		-13	-6	-6	-7	-8	-11	-21	LpA(A,out) [dB(A)]	-7	-18

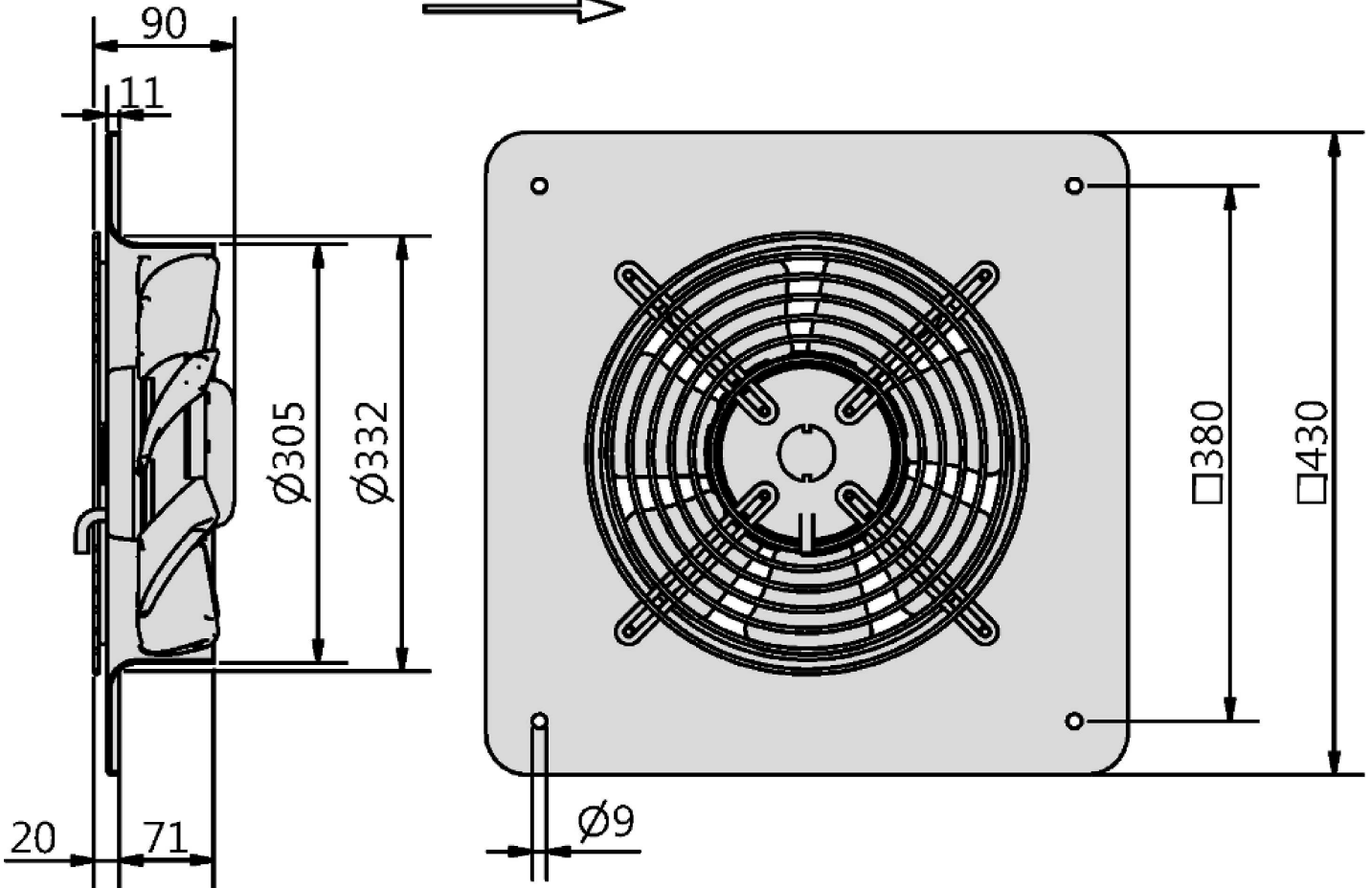


Type: **EQ 300-4.3DF**

Part no.: E00-30000



Förderrichtung / Air Direction "A"





Type: **EQ 300-4.3DF**
 Part no.: E00-30000

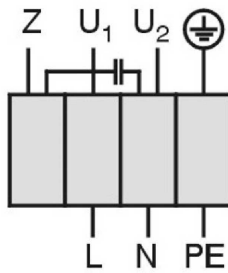


Einphasenwechselstrommotor mit Betriebskondensator und Thermostatschalter.
 Thermostatschalter intern mit der Wicklung in Reihe geschaltet.

**Single phase A.C. motor with operating capacitor and thermostatic switch.
 Thermostatic switch internal wired in series with windings.**

***Moteur monophasé avec condensateur permanent et interrupteur
 thermostatique en série avec le bobinage en cas de branchement***

TK3-20005



U₁ blau / blue / bleu
 U₂ schwarz / black / noir
 Z braun / brown / brun
 PE gelb-grün
 yellow-green
 jaun-vert

01.009

Axial fan

with square wall plate

Casing made from galvanized and plastic-coated steel, series plate mounted. Mounting either with horizontal or vertical motor shaft. Blade made of Polyamid (PA) UL95 V-0. Direct-driven single-phase alternating current motor and three-phase motor with class F insulation system. For single-phase motors, motor protection is provided by thermal contacts built into the winding and connected in series. Three-phase motors have no internal protection system and must be connected to an external protection system. When using an electronic voltage control unit or a frequency converter, a sine filter must be used. Maintenance-free ball bearings, closed on both sides, with long-term lubrication. Motorized Impeller statically and dynamically balanced according to DIN ISO 21940-11 at least with quality level G6.3. The electrical connection is mounted by a terminal box (loose). Air volume control is possible by the use of a step transformer (accessory).

Fan complies with the guidelines required (Machinery-, EMC- and Low Voltage Directive) to comply with installation and conformity declaration as well as CE marking.

Nominal Data:

Voltage

1~230 V

Frequency

50 Hz

Input power

0,096 kW

Current

0,43 A

Speed

1280 r/min

Medium temperature

55 °C

Protection Mode

IP 44

Weight

5 kg

Dimensions

430 mm / 430 mm / 90 mm

Contact:

Rosenberg Ventilatoren BV

Elandlaan 8

NL - 3734 CP Den Dolder

www.rosenberg.nl

Type:

EQ 300-4.3DF

Article-No.:

E00-30000