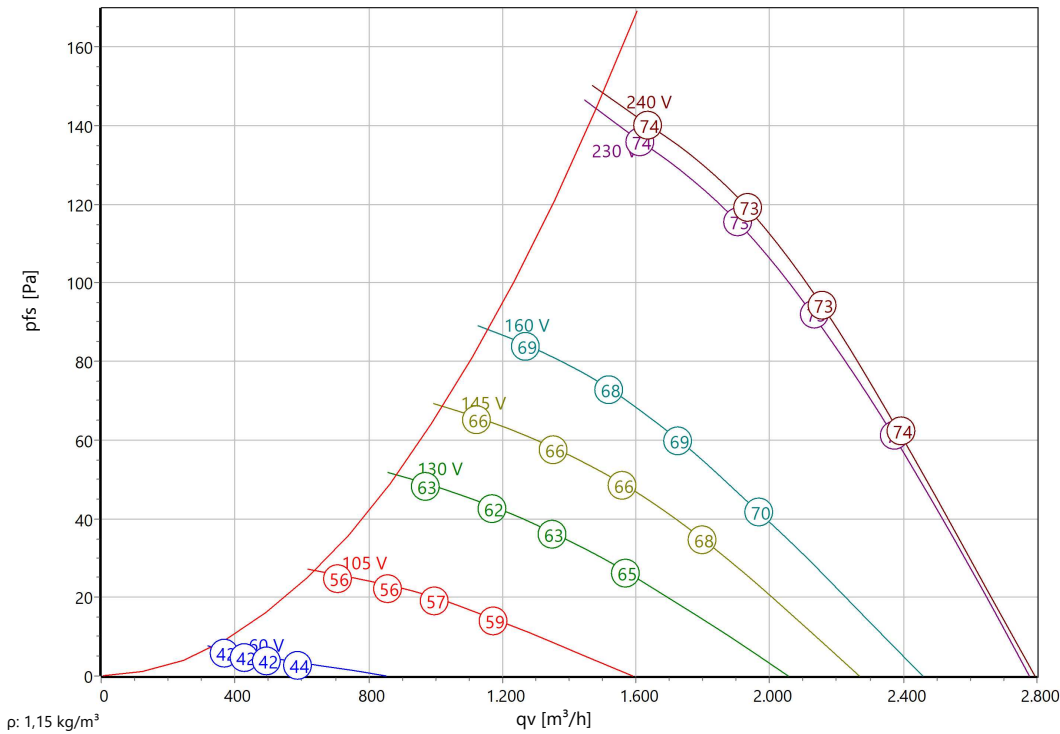




Type: **EQ 300-2.3EF**
Part no.: E00-30005



Curve:



ErP-Data:

	(EU) Nr. 327/2011	(Lot11)
qV	1848	m³/h
pfs	126	Pa
ηfs	32,5	%
Pe	0,2	kW
n	2527	r/min
N	43	
v	7,02	m/s

Nominal Data:

U [V]	f [Hz]	C [μF]	Pe [kW]	IN [A]	nN [r/min]	tR [°C]	k10 [m²s/h]	IA / IN	IP	m [kg]
1~230	50	6	0,21	0,9	2505	-25 .. +55	-	1,8	IP 44	6

Sound Data:

Frequency	Σ	125Hz	250Hz	500Hz	1kHz	2kHz	4kHz	8kHz	Distances	1 m	5 m
LwA(A,in) [dB(A)]		-29	-10	-7	-7	-5	-8	-16	LpA(A,in) [dB(A)]	-7	-18
LwA(A,out) [dB(A)]		-31	-10	-7	-6	-6	-8	-14	LpA(A,out) [dB(A)]	-7	-18

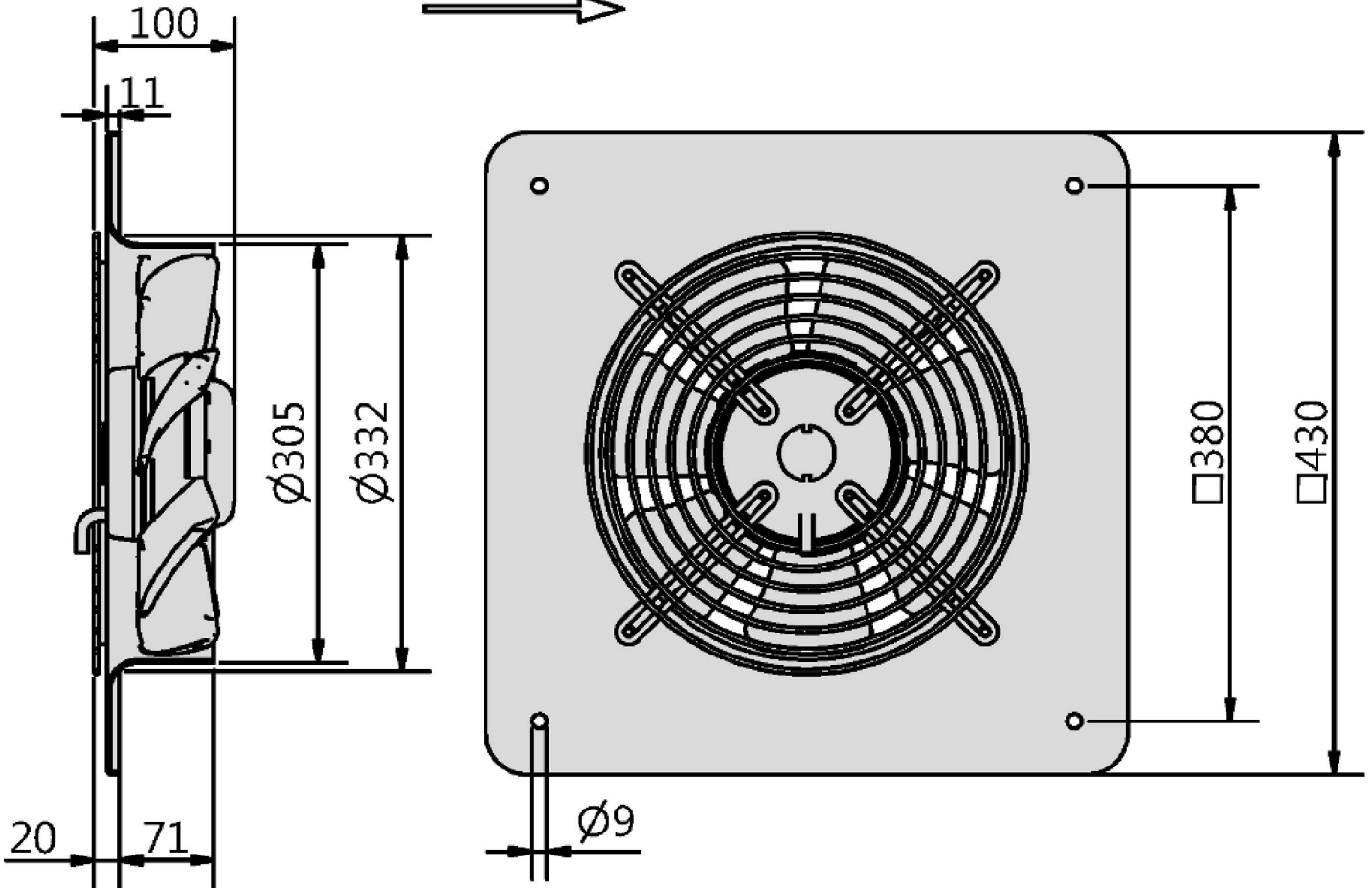


Type: **EQ 300-2.3EF**

Part no.: E00-30005



Förderrichtung / Air Direction "A"





Type: **EQ 300-2.3EF**
 Part no.: E00-30005

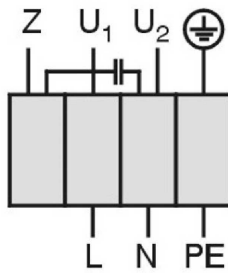


Einphasenwechselstrommotor mit Betriebskondensator und Thermostatschalter.
 Thermostatschalter intern mit der Wicklung in Reihe geschaltet.

Single phase A.C. motor with operating capacitor and thermostatic switch.
Thermostatic switch internal wired in series with windings.

Moteur monophasé avec condensateur permanent et interrupteur
thermostatique en série avec le bobinage en cas de branchement

TK3-20005



U₁ blau / blue / bleu
 U₂ schwarz / black / noir
 Z braun / brown / brun
 PE gelb-grün
 yellow-green
 jaun-vert

01.009

Axial fan

with square wall plate

Casing made from galvanized and plastic-coated steel, series plate mounted. Mounting either with horizontal or vertical motor shaft. Blade made of Polyamid (PA) UL95 V-0. Direct-driven single-phase alternating current motor and three-phase motor with class F insulation system. For single-phase motors, motor protection is provided by thermal contacts built into the winding and connected in series. Three-phase motors have no internal protection system and must be connected to an external protection system. When using an electronic voltage control unit or a frequency converter, a sine filter must be used. Maintenance-free ball bearings, closed on both sides, with long-term lubrication. Motorized Impeller statically and dynamically balanced according to DIN ISO 21940-11 at least with quality level G6.3. The electrical connection is mounted by a terminal box (loose). Air volume control is possible by the use of a step transformer (accessory).

Fan complies with the guidelines required (Machinery-, EMC- and Low Voltage Directive) to comply with installation and conformity declaration as well as CE marking.

Nominal Data:

Voltage

1~230 V

Frequency

50 Hz

Input power

0,21 kW

Current

0,9 A

Speed

2505 r/min

Medium temperature

55 °C

Protection Mode

IP 44

Weight

6 kg

Dimensions

430 mm / 430 mm / 100 mm

Contact:

Rosenberg Ventilatoren BV

Elandlaan 8

NL - 3734 CP Den Dolder

www.rosenberg.nl

Type:

EQ 300-2.3EF

Article-No.:

E00-30005