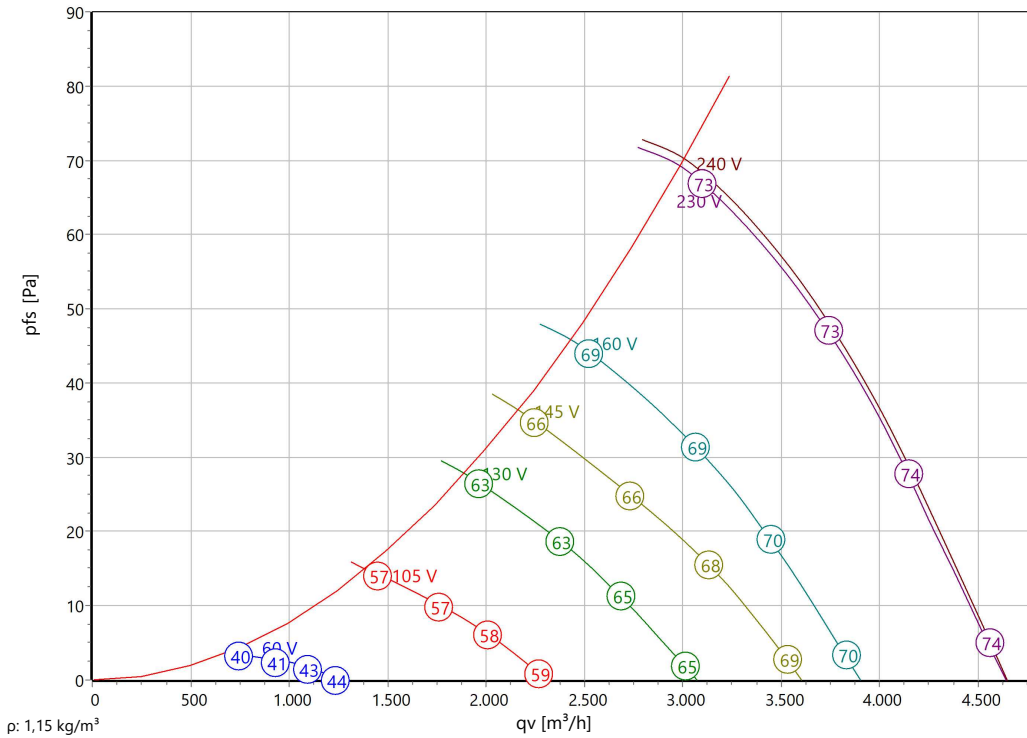




Type: **EQ 400-4.4EC**
Part no.: E00-40005



Curve:



ErP-Data:

| (EU) Nr. 327/2011 | (Lot11) | |
|-------------------|---------|-------|
| qV | 3245 | m³/h |
| pfs | 67 | Pa |
| ηfs | 29,6 | % |
| Pe | 0,2 | kW |
| n | 1347 | r/min |
| N | 39 | |
| v | 7,18 | m/s |

Nominal Data:

| U [V] | f [Hz] | C [μF] | Pe [kW] | IN [A] | nN [r/min] | tR [°C] | k10 [m²s/h] | IA / IN | IP | m [kg] |
|-------|--------|--------|---------|--------|------------|------------|-------------|---------|-------|--------|
| 230 | 50 | 5 | 0,21 | 0,95 | 1350 | -25 .. +60 | - | 2,2 | IP 54 | 7,7 |

ΔI 4 %

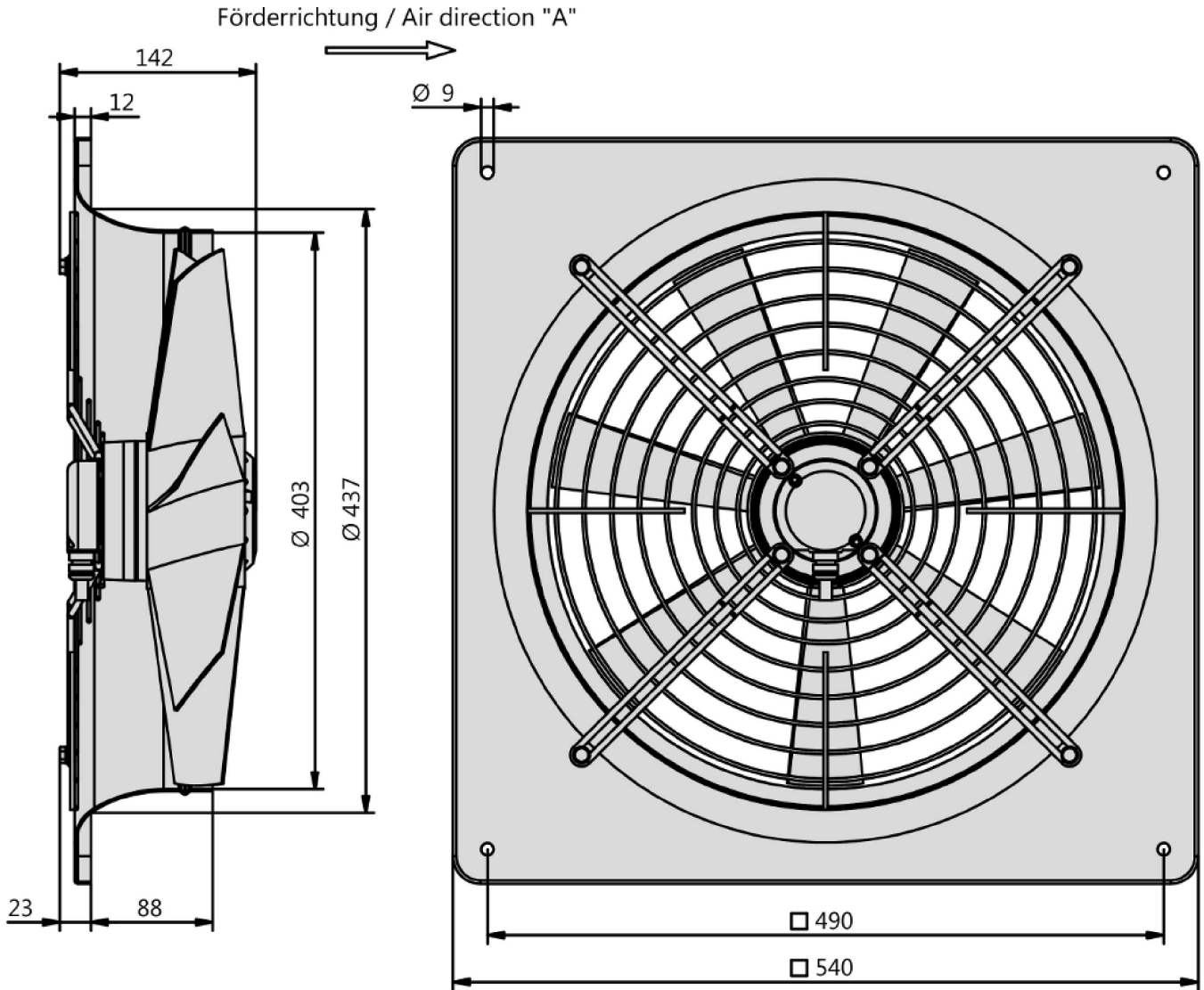
Sound Data:

| Frequency | Σ | 125Hz | 250Hz | 500Hz | 1kHz | 2kHz | 4kHz | 8kHz | Distances | 1 m | 5 m |
|-------------------|---|-------|-------|-------|------|------|------|------|-------------------|-----|-----|
| LwA(A,in) [dB(A)] | | -20 | -15 | -6 | -6 | -5 | -9 | -18 | LpA(A,in) [dB(A)] | -7 | -18 |



Type: **EQ 400-4.4EC**

Part no.: E00-40005





Type: **EQ 400-4.4EC**
 Part no.: E00-40005

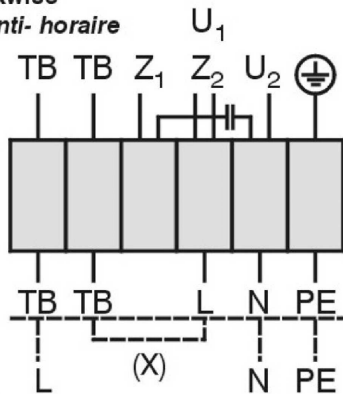


Einphasenwechselstrommotor mit Betriebskondensator und Thermostatschalter (TB). Bei Verwendung von RE Steuergeräten TB mit der Wicklung in Reihe schalten. Hierfür Brücke (x) einlegen und gestrichelt gezeichnete Anschlüsse belegen.

Single phase A.C. motor with operating capacitor and therostatic switch (TB). TB wired in series with windings if RE controllers are used. Insert bridge (x) and wire connections shon as dash-line on the drawing.

Moteur monophasé avec condensateur permanent et interrupteur thermostatique (TB) branché en série avec le bobinage en cas de branchement avec des régulateurs RE. Mettre un pont (x) et brancher toutes les connexions dessinées en hachuré.

Linkslauf
 anti- clockwise
 rotation anti- horaire



U₁ braun / brown / brun
 U₂ blau / blue / bleu
 Z₁ schwarz / black / noir
 Z₂ orange / orange / orange

TB weiß / white / blanc
 PE gelb-grün
 yellow-green
 jaune-vert

01.025

TK3-20003

Axial fan

with square wall plate

Casing made from galvanized and plastic-coated steel, series plate mounted. Mounting either with horizontal or vertical motor shaft. Blade made of plastic. Voltage controllable AC external rotor motor. Maintenance free ball bearings, closed on both sides with long-term lubrication. Motor coated black and/or die casted aluminum. Standard configuration with cable. Motor protection is guaranteed by thermal contacts, which are inlaid into the motor windings. These contacts protect the motor from being overloaded through phase failure, too high medium temperature or locked rotor. Isolation Class F. Motorized Impeller statically and dynamically balanced according to DIN ISO 21940-11 at least with quality level G6.3. The electrical connection is mounted by a terminal box (loose). Air volume control is possible by the use of a step transformer (accessory).

Fan complies with the guidelines required (Machinery-, EMC- and Low Voltage Directive) to comply with installation and conformity declaration as well as CE marking.

Nominal Data:

Voltage
230 V
Frequency
50 Hz
Input power
0,21 kW
Current
0,95 A
Speed
1350 r/min
Medium temperature
60 °C
Protection Mode
IP 54
Weight
7,7 kg
Dimensions
540 mm / 540 mm / 141 mm

Contact:

Rosenberg Ventilatoren BV
Elandlaan 8
NL - 3734 CP Den Dolder
www.rosenberg.nl

Type:

EQ 400-4.4EC

Article-No.:

E00-40005