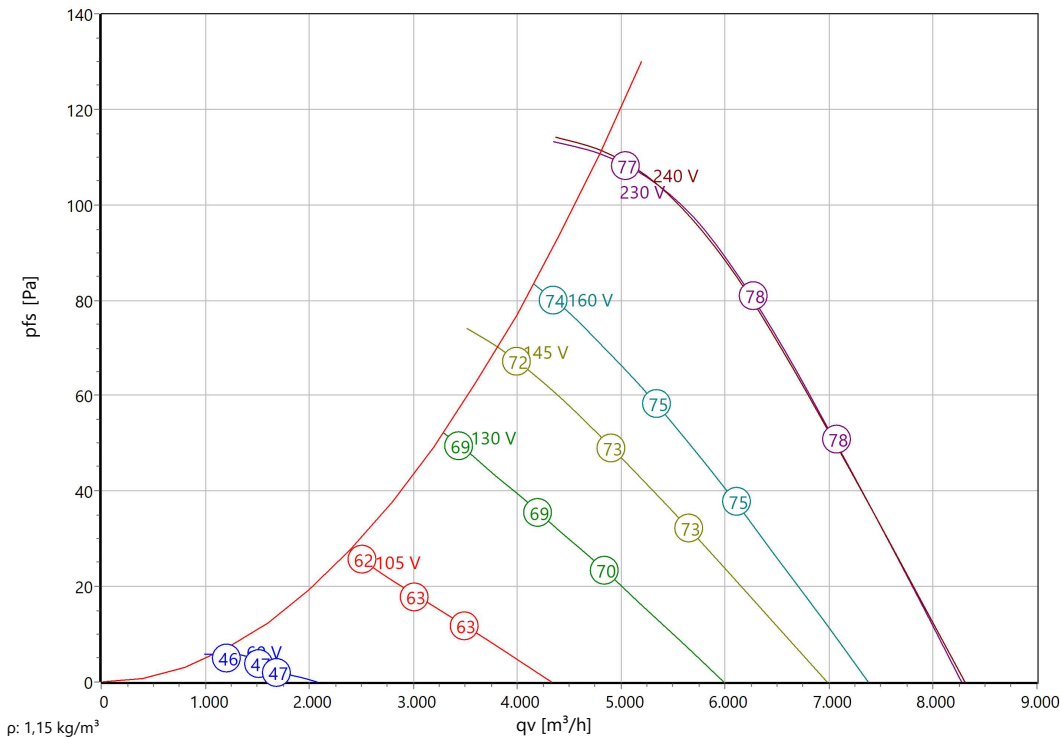




Type: **EQ 500-4.5FA**  
Part no.: E00-50005



**Curve:**



**ErP-Data:**

(EU) Nr. 327/2011	(Lot11)
qV	5483 m³/h
pfs	108 Pa
$\eta_{fs}$	33,4 %
Pe	0,49 kW
n	1373 r/min
N	42
v	7,87 m/s

**Nominal Data:**

U [V]	f [Hz]	C [ $\mu$ F]	Pe [kW]	IN [A]	nN [r/min]	tR [°C]	k10 [m²s/h]	IA / IN	IP	m [kg]
230	50	12	0,48	2,26	1375	-25 .. +50	-	2,6	IP 54	15

$\Delta I$  21 %

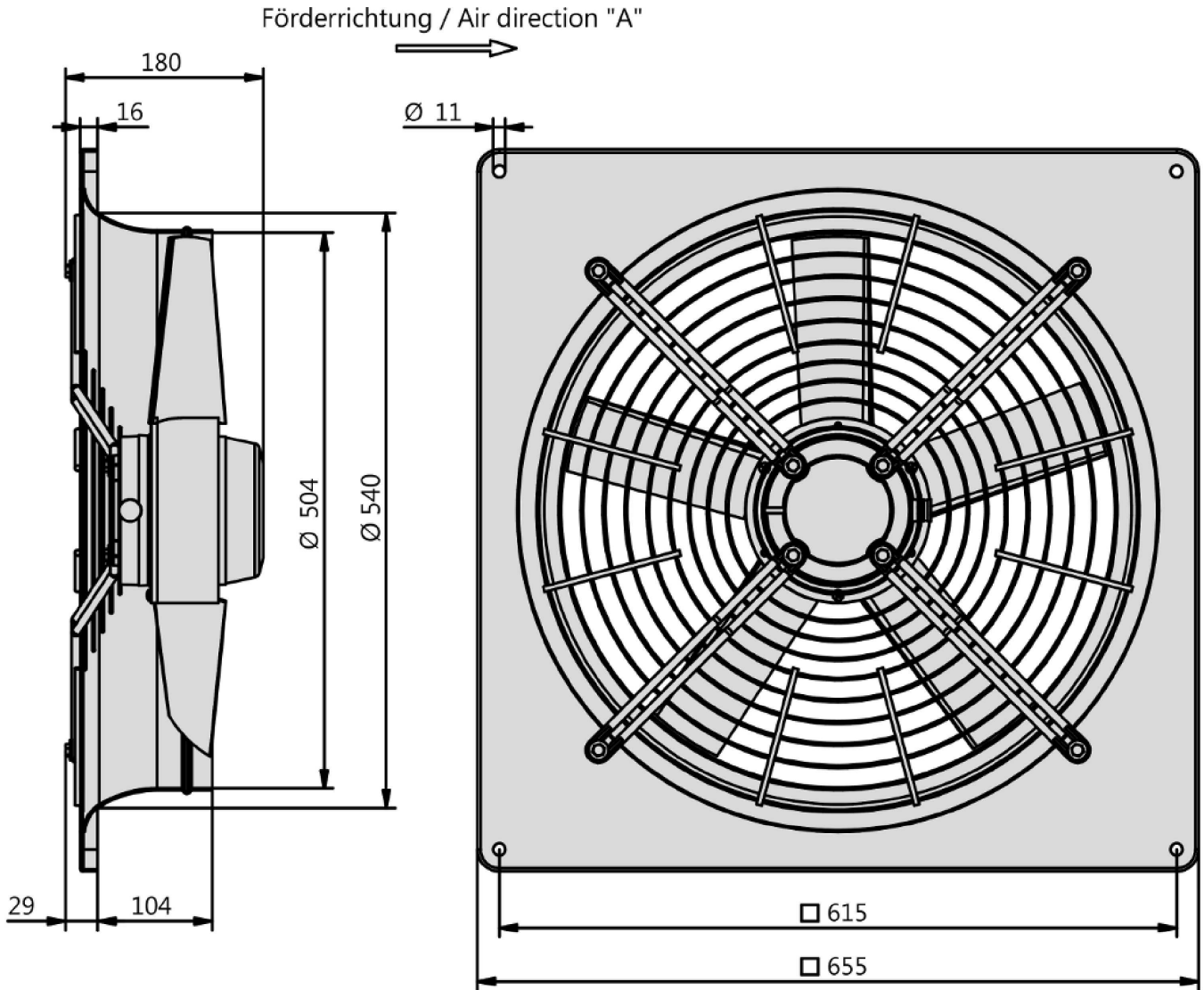
**Sound Data:**

Frequency	$\Sigma$	125Hz	250Hz	500Hz	1kHz	2kHz	4kHz	8kHz	Distances	1 m	5 m
LwA(A,in) [dB(A)]		-21	-11	-6	-6	-6	-9	-15	LpA(A,in) [dB(A)]	-7	-18



Type: **EQ 500-4.5FA**

Part no.: E00-50005





Type: **EQ 500-4.5FA**  
 Part no.: E00-50005

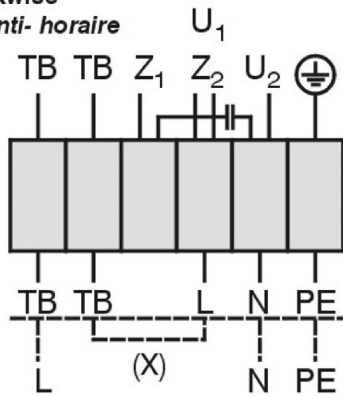


Einphasenwechselstrommotor mit Betriebskondensator und Thermostatschalter (TB). Bei Verwendung von RE Steuergeräten TB mit der Wicklung in Reihe schalten. Hierfür Brücke (x) einlegen und gestrichelt gezeichnete Anschlüsse belegen.

Single phase A.C. motor with operating capacitor and therostatic switch (TB). TB wired in series with windings if RE controllers are used. Insert bridge (x) and wire connections shon as dash-line on the drawing.

*Moteur monophasé avec condensateur permanent et interrupteur thermostatique (TB) branché en série avec le bobinage en cas de branchement avec des régulateurs RE. Mettre un pont (x) et brancher toutes les connexions dessinées en hachuré.*

Linkslauf  
 anti-clockwise  
 rotation anti-horaire



U<sub>1</sub> braun / brown / brun  
 U<sub>2</sub> blau / blue / bleu  
 Z<sub>1</sub> schwarz / black / noir  
 Z<sub>2</sub> orange / orange / orange

TB weiß / white / blanc  
 PE gelb-grün  
 yellow-green  
 jaune-vert

01.025

TK3-20003

### **Axial fan**

with square wall plate

Casing made from galvanized and plastic-coated steel, series plate mounted. Mounting either with horizontal or vertical motor shaft. Blade made of plastic. Voltage controllable AC external rotor motor. Maintenance free ball bearings, closed on both sides with long-term lubrication. Motor coated black and/or die casted aluminum. Standard configuration with cable. Motor protection is guaranteed by thermal contacts, which are inlaid into the motor windings. These contacts protect the motor from being overloaded through phase failure, too high medium temperature or locked rotor. Isolation Class F. Motorized Impeller statically and dynamically balanced according to DIN ISO 21940-11 at least with quality level G6.3. The electrical connection is mounted by a terminal box (loose). Air volume control is possible by the use of a step transformer (accessory).

Fan complies with the guidelines required (Machinery-, EMC- and Low Voltage Directive) to comply with installation and conformity declaration as well as CE marking.

### **Nominal Data:**

Voltage

230 V

Frequency

50 Hz

Input power

0,48 kW

Current

2,26 A

Speed

1375 r/min

Medium temperature

50 °C

Protection Mode

IP 54

Weight

15 kg

Dimensions

655 mm / 655 mm / 174 mm

### **Contact:**

Rosenberg Ventilatoren BV

Elandlaan 8

NL - 3734 CP Den Dolder

[www.rosenberg.nl](http://www.rosenberg.nl)

### **Type:**

EQ 500-4.5FA

### **Article-No.:**

E00-50005