



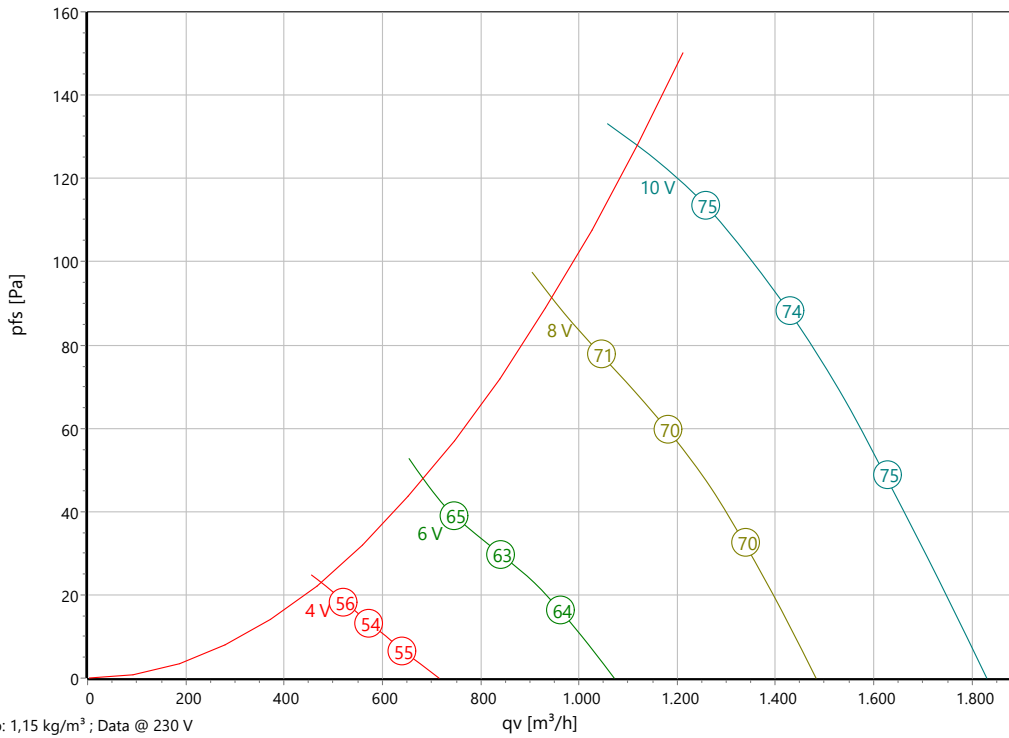
Type: **GQ 250.3BK KS | L46-A8-1**

Direction of airflow A

Part no.: E02-25000



**Curve:**



**ErP-Data:**

(EU) Nr. 327/2011	(Lot11)	
$q_v$	1152	m³/h
$p_{fs}$	132	Pa
$\eta_{fs}$	32,2	%
$P_{ed}$	0,15	kW
$n$	2435	r/min
$N$	44	
$v$	6,38	m/s

**Nominal Data:**

U [V]	f [Hz]	Data @ [V]	$P_{ed}$ [kW]	$I_N$ [A]	$n_N$ [r/min]	$t_R$ [°C]	$k_{10}$ [m²s/h]	$I_A / I_N$	IP	m [kg]
1~200-240	50/60	230	0,148	1,14	2600	-20 .. +50	-	-	IP 4x	3,5

**Sound Data:**

Frequency	$\Sigma$		125Hz	250Hz	500Hz	1kHz	2kHz	4kHz	8kHz	Distances	1 m	4 m
LwA(A,in) [dB(A)]		-	-28	-11	-5	-6	-7	-9	-17	LpA(A,in) [dB(A)]	-7	-17
LwA(A,out) [dB(A)]		-	-24	-12	-7	-6	-5	-8	-19	LpA(A,out) [dB(A)]	-7	-17



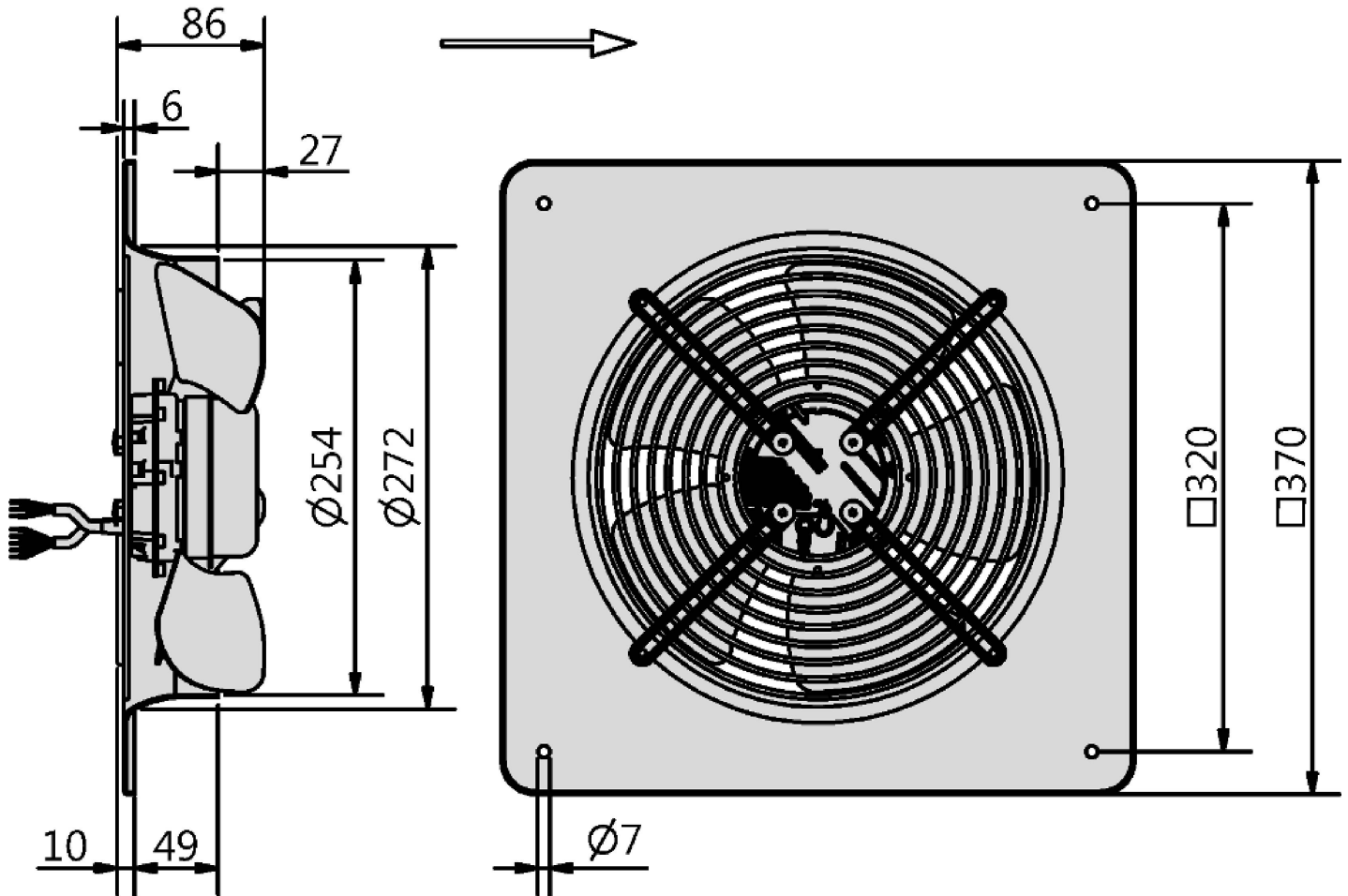
Type: **GQ 250.3BK KS | L46-A8-1**

Direction of airflow A

Part no.: E02-25000



Förderrichtung / Air Direction "A"

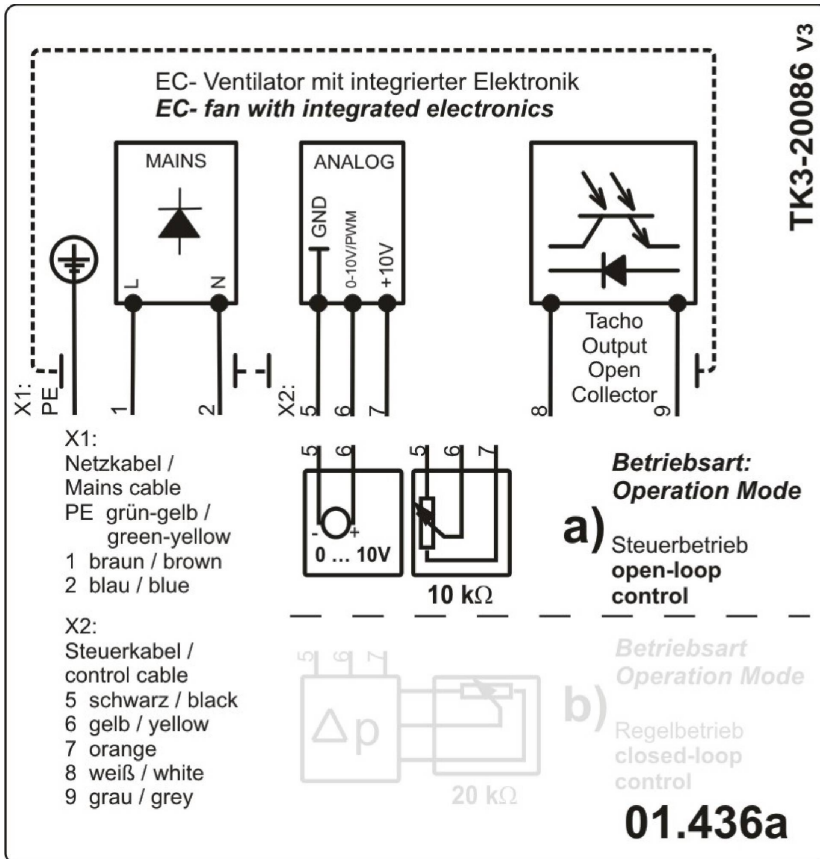




Type: **GQ 250.3BK KS | L46-A8-1**

Direction of airflow A

Part no.: E02-25000



### Axial fan

with square wall plate

Casing made from galvanized and plastic -coated steel, series plate mounted. Mounting either with horizontal or vertical motor shaft. Energy saving EC external -rotor motor. Maintenance free ball bearings, closed on both sides with long-term lubrication. Motor coated black and/or electrogalvanized. Cable for supply and controlling connection. 100% speed controllable with integrated Motor Protection. Soft Start. Applicable in all common energy grids. Motorized Impeller statically and dynamically balanced according to DIN ISO 21940 -11 with quality level G2.5. The electrical connection via lead out connection cable. Air volume control is possible over an 0 -10V Signal (accessory).

Fan complies with the guidelines required (Machinery -, EMC- and Low Voltage Directive) to comply with installation and conformity declaration as well as CE marking.

### Nominal Data:

Voltage

1~200-240 V

Frequency

50/60 Hz

Input power

0,148 kW

Current

1,14 A

Speed

2600 r/min

Medium temperature

50 °C

Protection Mode

IP 4x

Weight

3,5 kg

Dimensions

370 mm / 370 mm / 55 mm

### Contact:

Rosenberg Ventilatoren BV

Elandlaan 8

NL - 3734 CP Den Dolder

<http://www.rosenberg.nl>

### Type:

GQ 250.3BK KS | L46-A8-1

### Article-No.:

E02-25000