



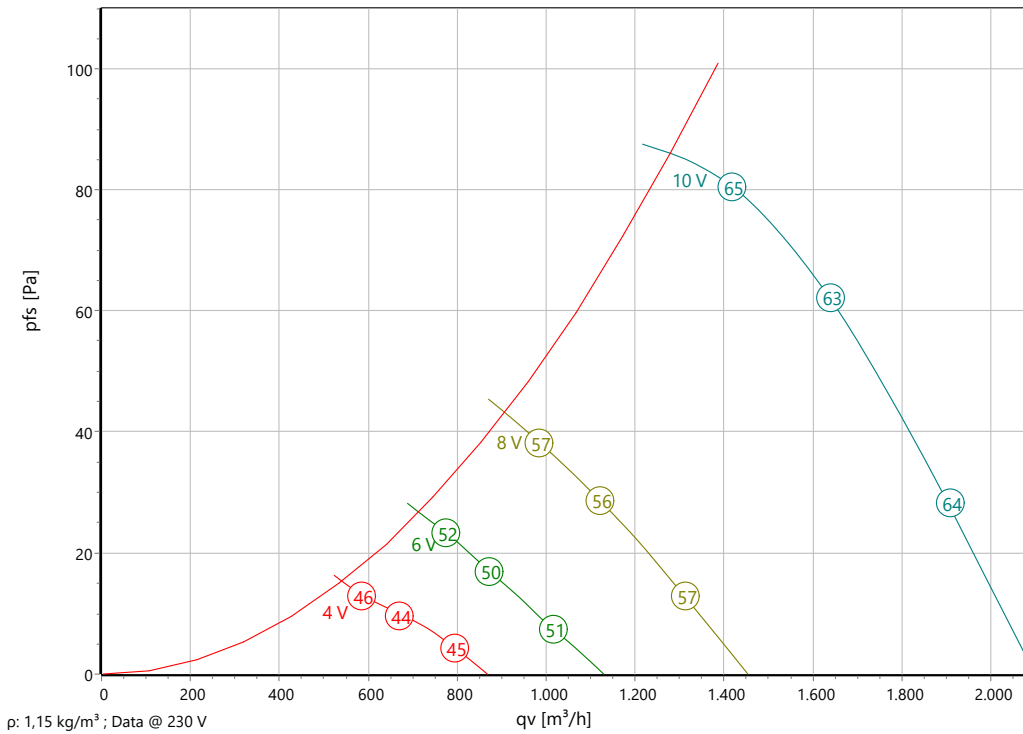
Type: **GQ 300.3BK KS | L46-B0-1**

Direction of airflow A

Part no.: E02-30000



Curve:



Nominal Data:

U [V]	f [Hz]	Data @ [V]	P _{ed} [kW]	I _N [A]	n _N [r/min]	t _R [°C]	k ₁₀ [m ² /h]	I _A / I _N	IP	m [kg]
1~200-240	50/60	230	0,077	0,65	1645	-20 .. +50	-	-	IP 4x	4,5

Sound Data:

Frequency	Σ		125Hz	250Hz	500Hz	1kHz	2kHz	4kHz	8kHz	Distances	1 m	4 m
LwA(A,in) [dB(A)]		-	-29	-10	-7	-7	-5	-8	-16	LpA(A,in) [dB(A)]	-7	-17
LwA(A,out) [dB(A)]		-	-31	-10	-7	-6	-6	-8	-14	LpA(A,out) [dB(A)]	-7	-17



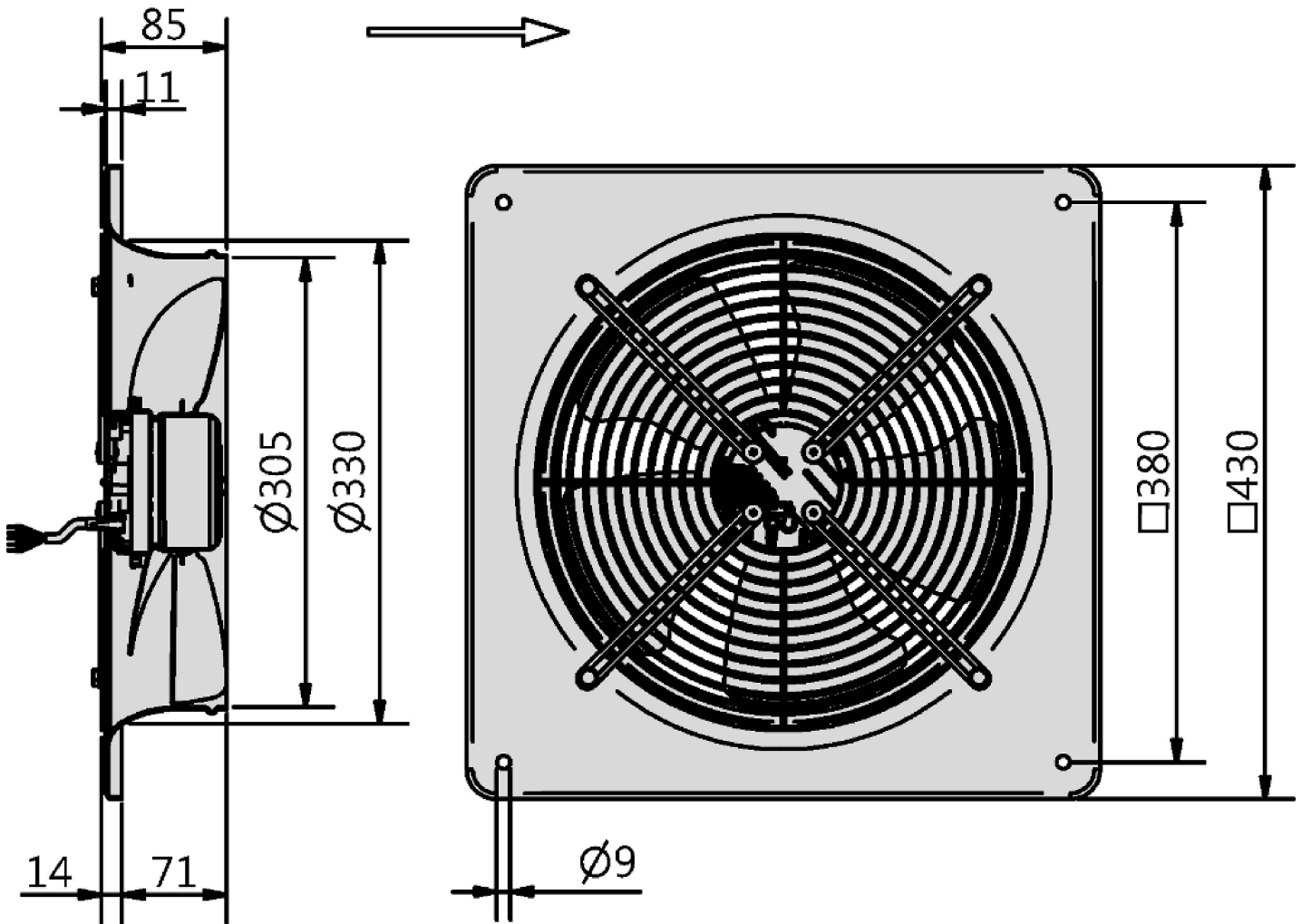
Type: **GQ 300.3BK KS | L46-B0-1**

Direction of airflow A

Part no.: E02-30000



Förderrichtung / Air Direction "A"

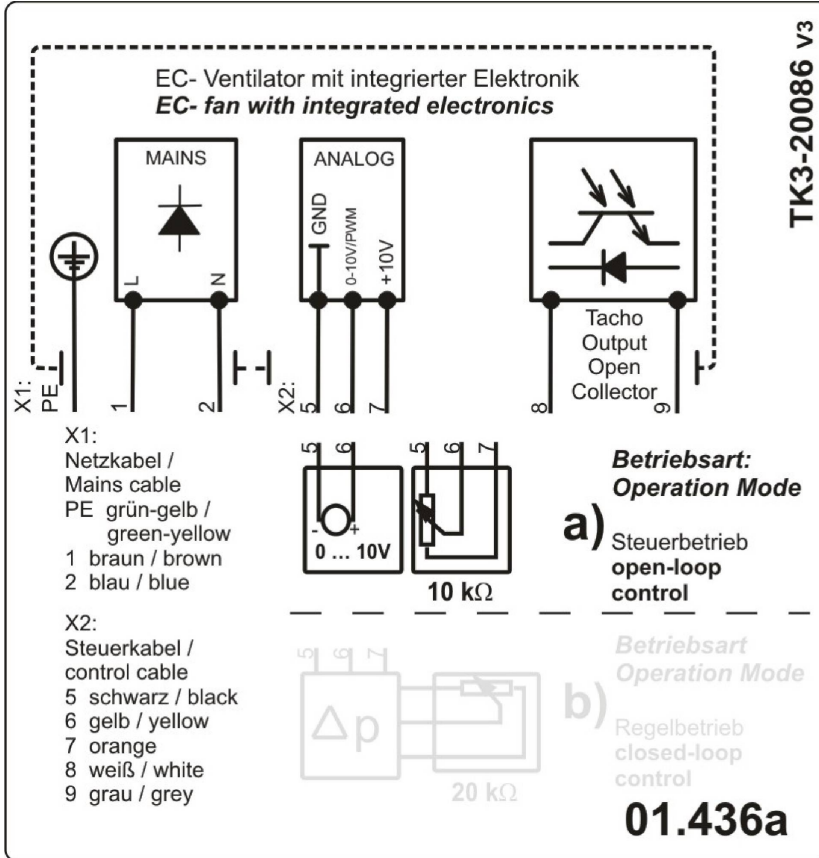




Type: **GQ 300.3BK KS | L46-B0-1**

Direction of airflow A

Part no.: E02-30000



Axial fan

with square wall plate

Casing made from galvanized and plastic -coated steel, series plate mounted. Mounting either with horizontal or vertical motor shaft. Blade made of galvanized steel. Energy saving EC external -rotor motor. Maintenance free ball bearings, closed on both sides with long-term lubrication. Motor coated black and/or electrogalvanized. Cable for supply and controlling connection. 100% speed controllable with integrated Motor Protection. Soft Start. Applicable in all common energy grids. Motorized Impeller statically and dynamically balanced according to DIN ISO 21940 -11 with quality level G2.5. The electrical connection via lead out connection cable . Air volume control is possible over an 0 -10V Signal (accessory).

Fan complies with the guidelines required (Machinery -, EMC- and Low Voltage Directive) to comply with installation and conformity declaration as well as CE marking.

Nominal Data:

Voltage

1~200-240 V

Frequency

50/60 Hz

Input power

0,077 kW

Current

0,65 A

Speed

1645 r/min

Medium temperature

50 °C

Protection Mode

IP 4x

Weight

4,5 kg

Dimensions

430 mm / 430 mm / 82 mm

Contact:

Rosenberg Ventilatoren BV

Elandlaan 8

NL - 3734 CP Den Dolder

<http://www.rosenberg.nl>

Type:

GQ 300.3BK KS | L46-B0-1

Article-No.:

E02-30000