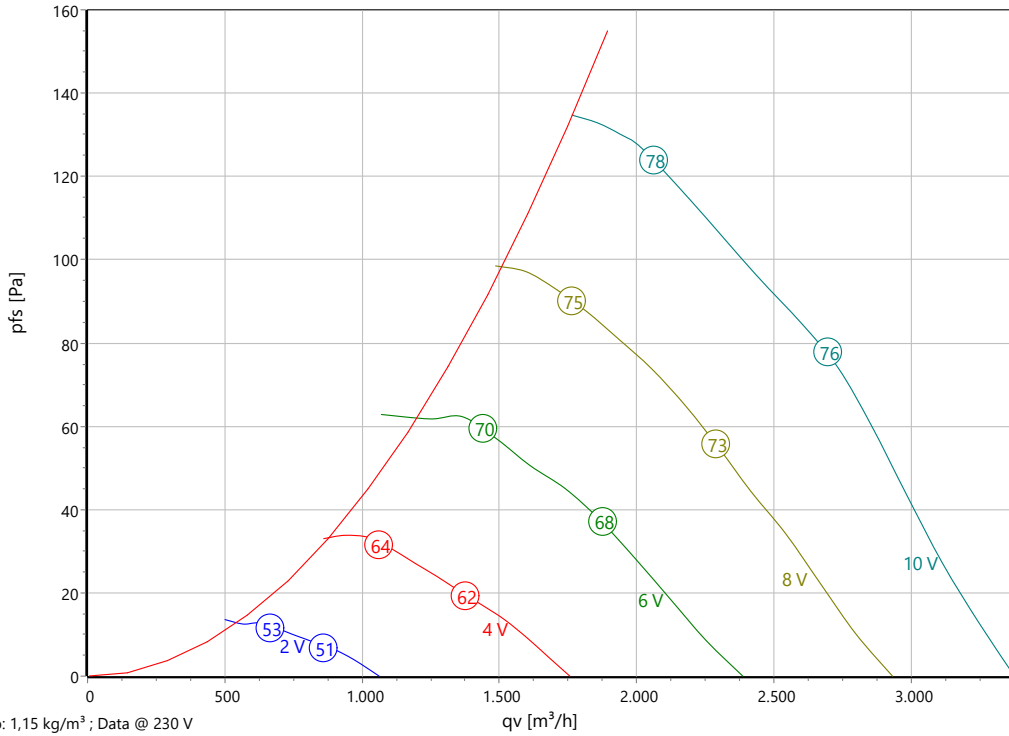




Type: **GQ 350.3DI KS**  
Direction of airflow A  
Part no.: E02-35005



**Curve:**



p: 1,15 kg/m³ ; Data @ 230 V

**ErP-Data:**

(EU) Nr. 327/2011	(Lot11)	
q <sub>v</sub>	2070	m³/h
p <sub>fs</sub>	2070	Pa
η <sub>fs</sub>	41,2	%
P <sub>ed</sub>	0,204	kW
n	1705	r/min
N	52	
v	5,75	m/s

**Nominal Data:**

U [V]	f [Hz]	Data @ [V]	P <sub>ed</sub> [kW]	I <sub>N</sub> [A]	n <sub>N</sub> [r/min]	t <sub>R</sub> [°C]	k <sub>10</sub> [m²s/h]	I <sub>A</sub> / I <sub>N</sub>	IP	m [kg]
1~200-277	50/60	230	0,206	0,92	1410	-20 .. +60	-	-	IP 54	6,4

**Sound Data:**

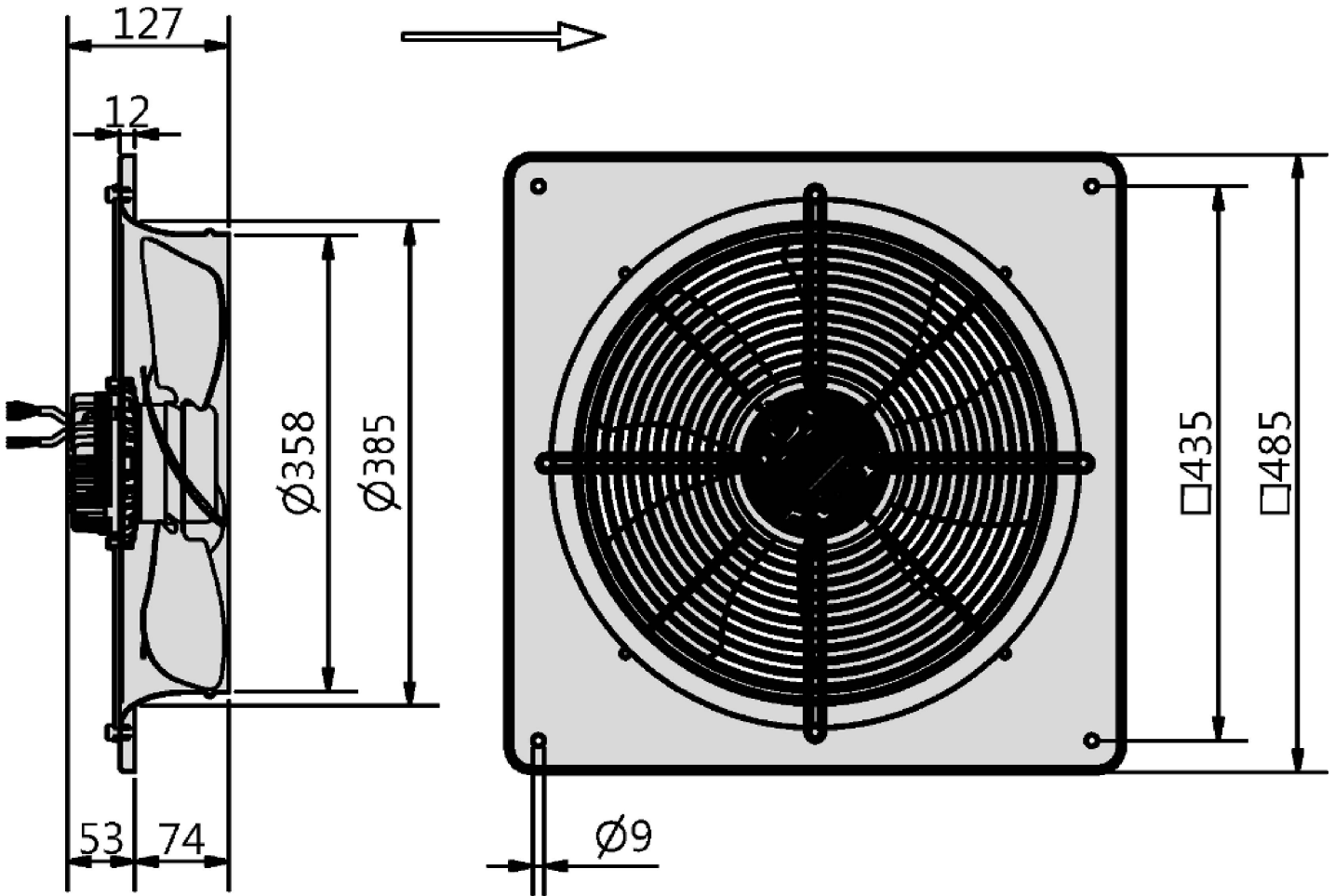
Frequency	Σ	63Hz	125Hz	250Hz	500Hz	1kHz	2kHz	4kHz	8kHz	Distances	1 m	4 m
LwA(A,in) [dB(A)]		-29	-15	-10	-6	-6	-7	-10	-17	LpA(A,in) [dB(A)]	-7	-17



Type: **GQ 350.3DI KS**  
Direction of airflow A  
Part no.: E02-35005

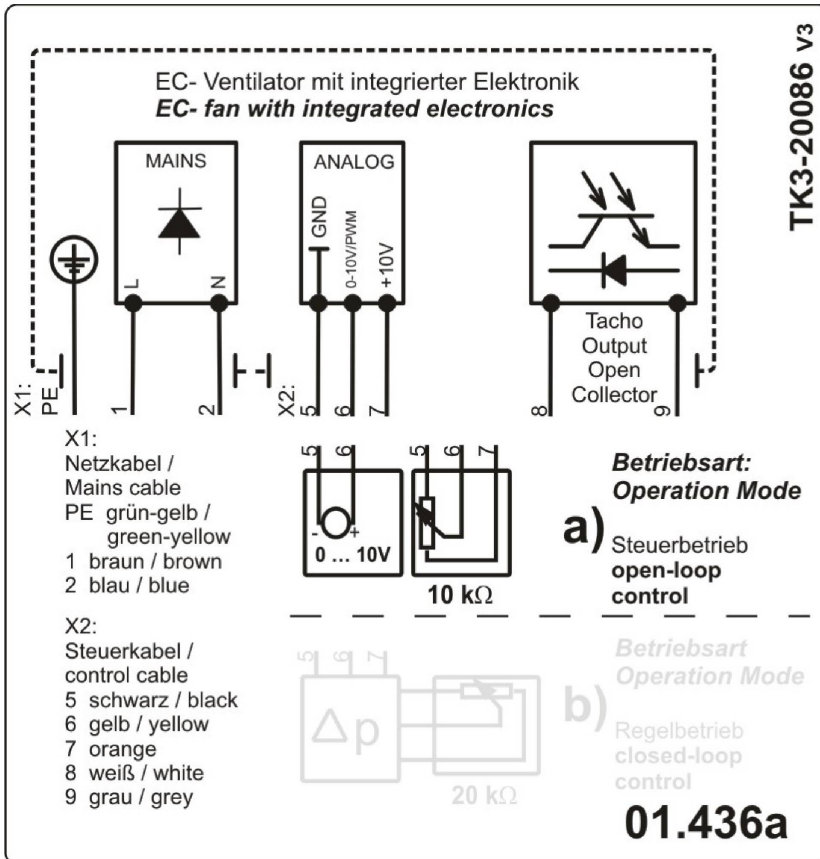


Förderrichtung / Air Direction "A"





Type: **GQ 350.3DI KS**  
 Direction of airflow A  
 Part no.: E02-35005



### **Axial fan**

with square wall plate

Casing made from galvanized and plastic -coated steel, series plate mounted. Mounting either with horizontal or vertical motor shaft. Blade made of galvanized steel. Energy saving EC external -rotor motor. Maintenance free ball bearings, closed on both sides with long-term lubrication. Motor coated black and/or electrogalvanized. Cable for supply and controlling connection. 100% speed controllable with integrated Motor Protection. Soft Start. Applicable in all common energy grids. Motorized Impeller statically and dynamically balanced according to DIN ISO 21940 -11 with quality level G2.5. The electrical connection via lead out connection cable . Air volume control is possible over an 0 -10V Signal (accessory).

Fan complies with the guidelines required (Machinery -, EMC- and Low Voltage Directive) to comply with installation and conformity declaration as well as CE marking.

### **Nominal Data:**

Voltage

1~200-277 V

Frequency

50/60 Hz

Input power

0,206 kW

Current

0,92 A

Speed

1410 r/min

Medium temperature

60 °C

Protection Mode

IP 54

Weight

6,4 kg

Dimensions

485 mm / 485 mm / 86 mm

### **Contact:**

Rosenberg Ventilatoren BV

Elandlaan 8

NL - 3734 CP Den Dolder

<http://www.rosenberg.nl>

### **Type:**

GQ 350.3DI KS

### **Article-No.:**

E02-35005