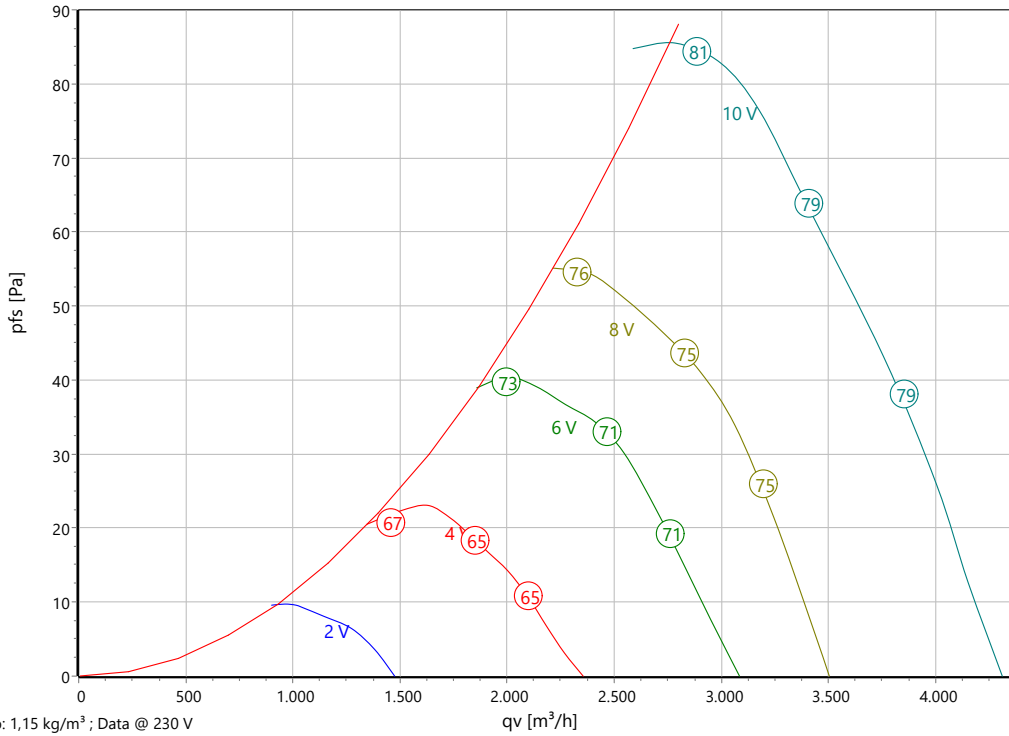




Type: **GQ 400.3DI KS**
Direction of airflow A
Part no.: E02-40005



Curve:



p: 1,15 kg/m³ ; Data @ 230 V

ErP-Data:

	(EU) Nr. 327/2011	(Lot11)
q _v	2831	m³/h
p _{fs}	89	Pa
η _{fs}	34,5	%
P _{ed}	0,231	kW
n	1605	r/min
N	45	
v	6,24	m/s

Nominal Data:

U [V]	f [Hz]	Data @ [V]	P _{ed} [kW]	I _N [A]	n _N [r/min]	t _R [°C]	k ₁₀ [m²s/h]	I _A / I _N	IP	m [kg]
1~200-277	50/60	230	0,234	1,04	1605	-20 .. +60	-	-	IP 54	7,5

Sound Data:

Frequency	Σ	63Hz	125Hz	250Hz	500Hz	1kHz	2kHz	4kHz	8kHz	Distances	1 m	4 m
LwA(A,in) [dB(A)]		-30	-13	-10	-6	-5	-6	-11	-19	LpA(A,in) [dB(A)]	-7	-17



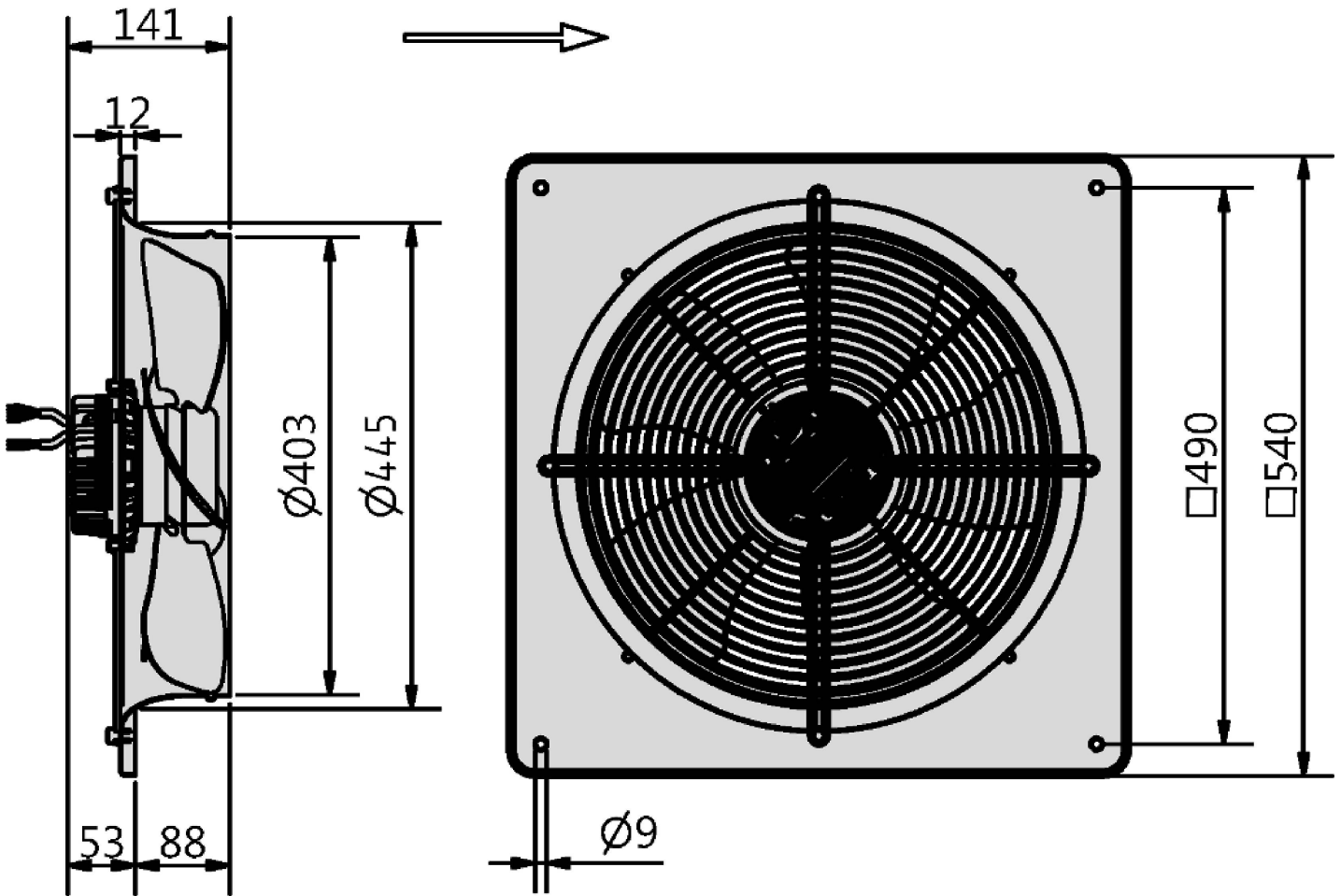
Type: **GQ 400.3DI KS**

Direction of airflow A

Part no.: E02-40005

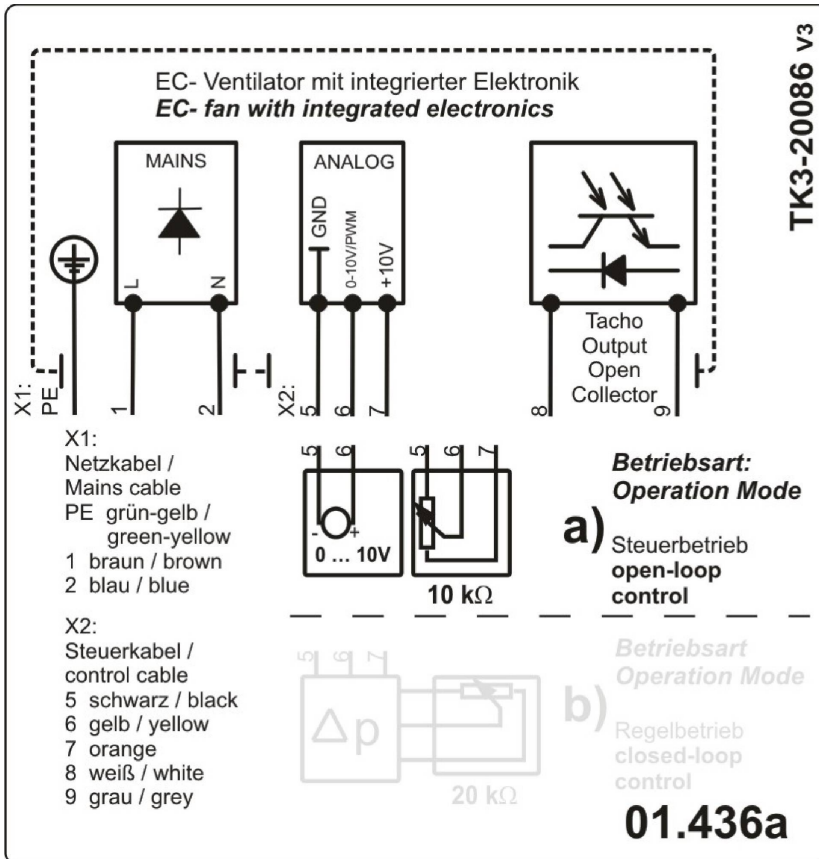


Förderrichtung / Air Direction "A"





Type: **GQ 400.3DI KS**
 Direction of airflow A
 Part no.: E02-40005



Axial fan

with square wall plate

Casing made from galvanized and plastic -coated steel, series plate mounted. Mounting either with horizontal or vertical motor shaft. Blade made of galvanized steel. Energy saving EC external -rotor motor. Maintenance free ball bearings, closed on both sides with long-term lubrication. Motor coated black and/or electrogalvanized. Cable for supply and controlling connection. 100% speed controllable with integrated Motor Protection. Soft Start. Applicable in all common energy grids. Motorized Impeller statically and dynamically balanced according to DIN ISO 21940 -11 with quality level G2.5. The electrical connection via lead out connection cable . Air volume control is possible over an 0 -10V Signal (accessory).

Fan complies with the guidelines required (Machinery -, EMC- and Low Voltage Directive) to comply with installation and conformity declaration as well as CE marking.

Nominal Data:

Voltage

1~200-277 V

Frequency

50/60 Hz

Input power

0,234 kW

Current

1,04 A

Speed

1605 r/min

Medium temperature

60 °C

Protection Mode

IP 54

Weight

7,5 kg

Dimensions

540 mm / 540 mm / 100 mm

Contact:

Rosenberg Ventilatoren BV

Elandlaan 8

NL - 3734 CP Den Dolder

<http://www.rosenberg.nl>

Type:

GQ 400.3DI KS

Article-No.:

E02-40005