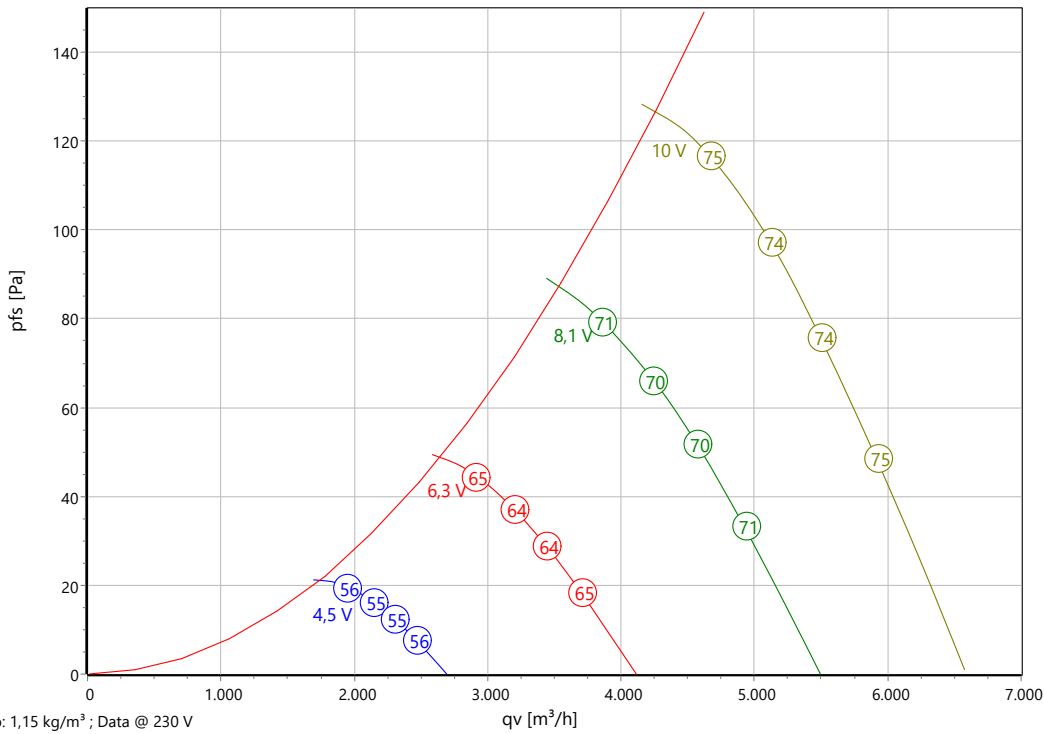




Type: **GQ 450 N.4FF KS**  
 Direction of airflow A (=AKSG 450 N.4FF B5)  
 Part no.: E02-45001



**Curve:**



**ErP-Data:**

(EU) Nr. 327/2011	(Lot11)
q <sub>v</sub>	4425 m <sup>3</sup> /h
p <sub>fs</sub>	129 Pa
η <sub>fs</sub>	33,3 %
P <sub>ed</sub>	0,53 kW
n	1390 r/min
N	41
v	7,64 m/s

**Nominal Data:**

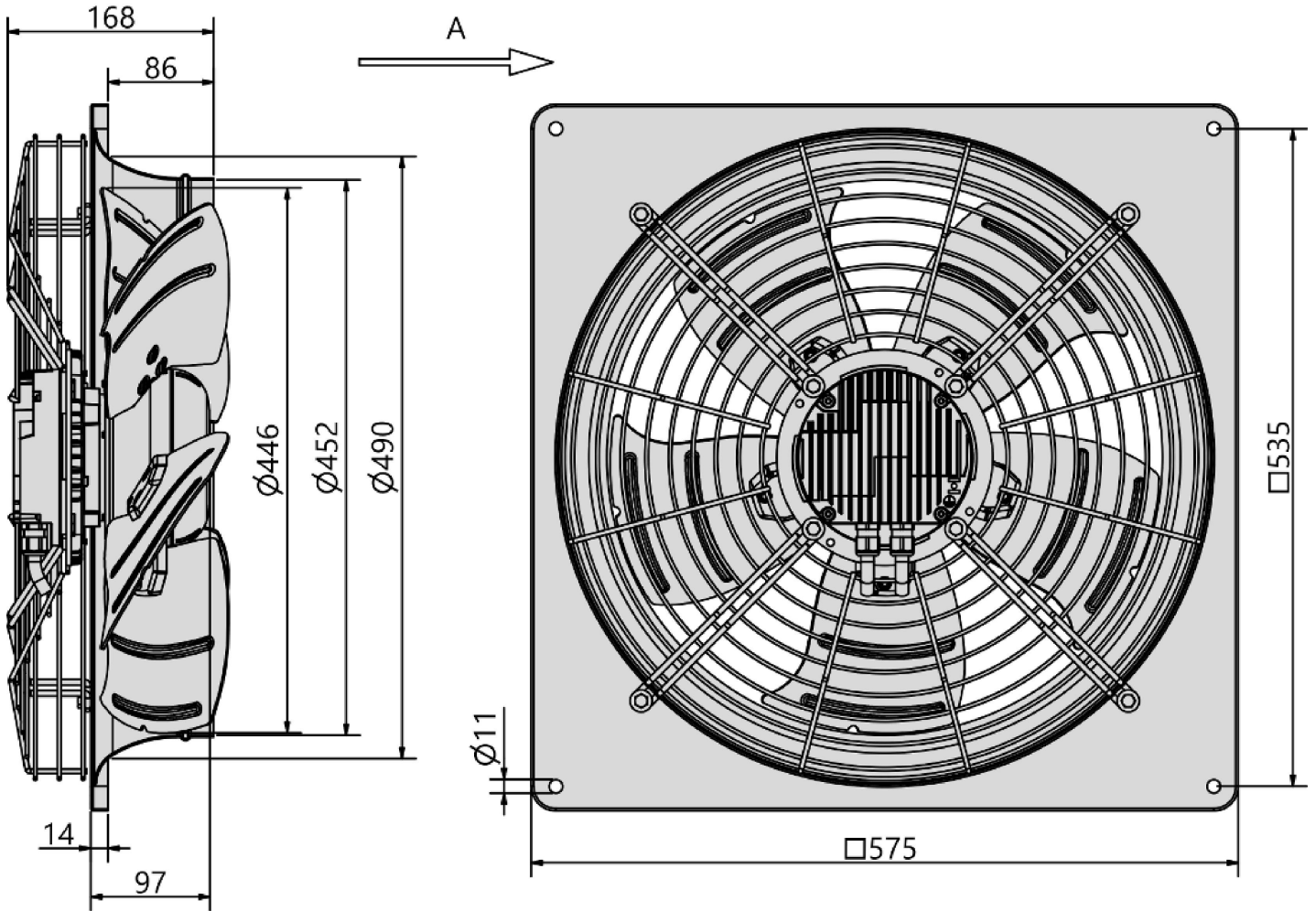
U [V]	f [Hz]	Data @ [V]	P <sub>ed</sub> [kW]	I <sub>N</sub> [A]	n <sub>N</sub> [r/min]	t <sub>R</sub> [°C]	k <sub>10</sub> [m <sup>2</sup> /h]	Eff.-Rating	IP	m [kg]
1~200-277	50/60	230	0,53	2,35	1390	-25 .. +45	-	IE4	IP 54	10,5

**Sound Data:**

Frequency	Σ		125Hz	250Hz	500Hz	1kHz	2kHz	4kHz	8kHz	Distances	1 m	4 m
LwA(A,in) [dB(A)]		-	-19	-12	-9	-6	-5	-7	-15	LpA(A,in) [dB(A)]	-7	-17
LwA(A,out) [dB(A)]	1	-	-13	-10	-8	-6	-3	-8	-14	LpA(A,out) [dB(A)]	-6	-16

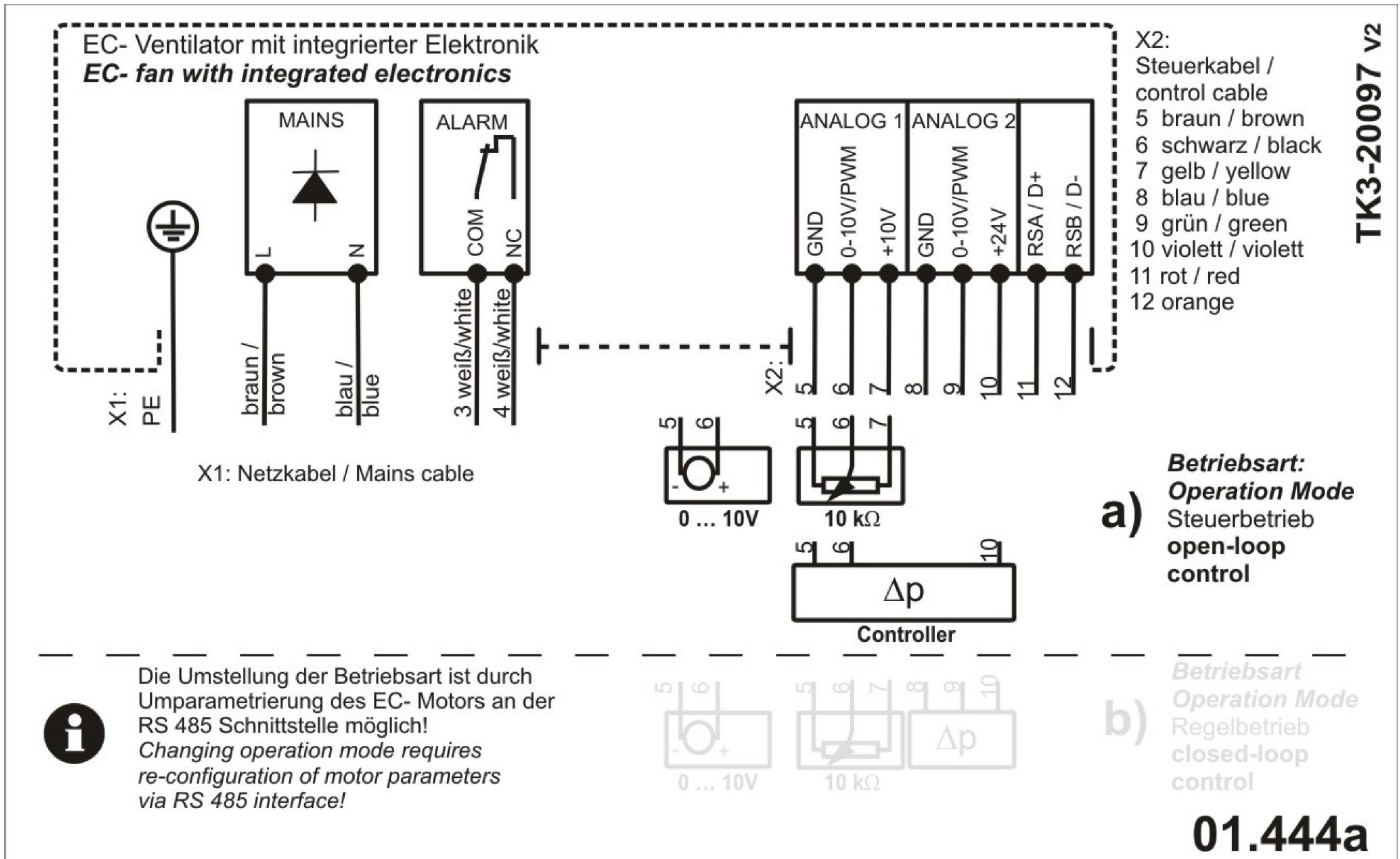


Type: **GQ 450 N.4FF KS**  
Direction of airflow A (=AKSG 450 N.4FF B5)  
Part no.: E02-45001





Type: **GQ 450 N.4FF KS**  
 Direction of airflow A (=AKSG 450 N.4FF B5)  
 Part no.: E02-45001



### **Axial fan**

with square wall plate

Casing made from galvanized and plastic-coated steel, series plate mounted. Mounting either with horizontal or vertical motor shaft. Sickle-shaped Blade made from aluminum or coated steel sheet metal. Energy saving EC external - rotor motor exceeds IE4 / Super Premium Efficiency. Maintenance free ball bearings, closed on both sides with long-term lubrication. Magnets without rare earth elements. Motor coated black and/or die casted aluminum. Protection Class IP54 and insulation class F. 1-phase types with cable for supply and controlling and integrated active PFC (Power Factor Correction). 3-phase types with integrated terminal box and environmental resistant cable glands (3x M20x1,5). 100% speed controllable with integrated Motor Protection. ModBus RTU Interface integrated. Busconfiguration possible on site by customer. Soft Start. Potential-free Alarm Contact and integrated 24V Supply for Accessories. Applicable in all common energy grids. Low noise commutation. Motorized Impeller statically and dynamically balanced according to DIN ISO 21940-11 at least with quality level G6.3. The electrical connection via lead out connection cable. Air volume control is possible over an 0-10V Signal (accessory).

Fan complies with the guidelines required (Machinery -, EMC- and Low Voltage Directive) to comply with installation and conformity declaration as well as CE marking.

### **Nominal Data:**

Voltage

1~200-277 V

Frequency

50/60 Hz

Input power

0,53 kW

Current

2,35 A

Speed

1390 r/min

Medium temperature

45 °C

Protection Mode

IP 54

Efficiency Class

IE4

Weight

10,5 kg

Dimensions

575 mm / 575 mm / 100 mm

### **Contact:**

Rosenberg Ventilatoren BV

Elandlaan 8

NL - 3734 CP Den Dolder

<http://www.rosenberg.nl>

### **Type:**

GQ 450 N.4FF KS

### **Article-No.:**

E02-45001

---