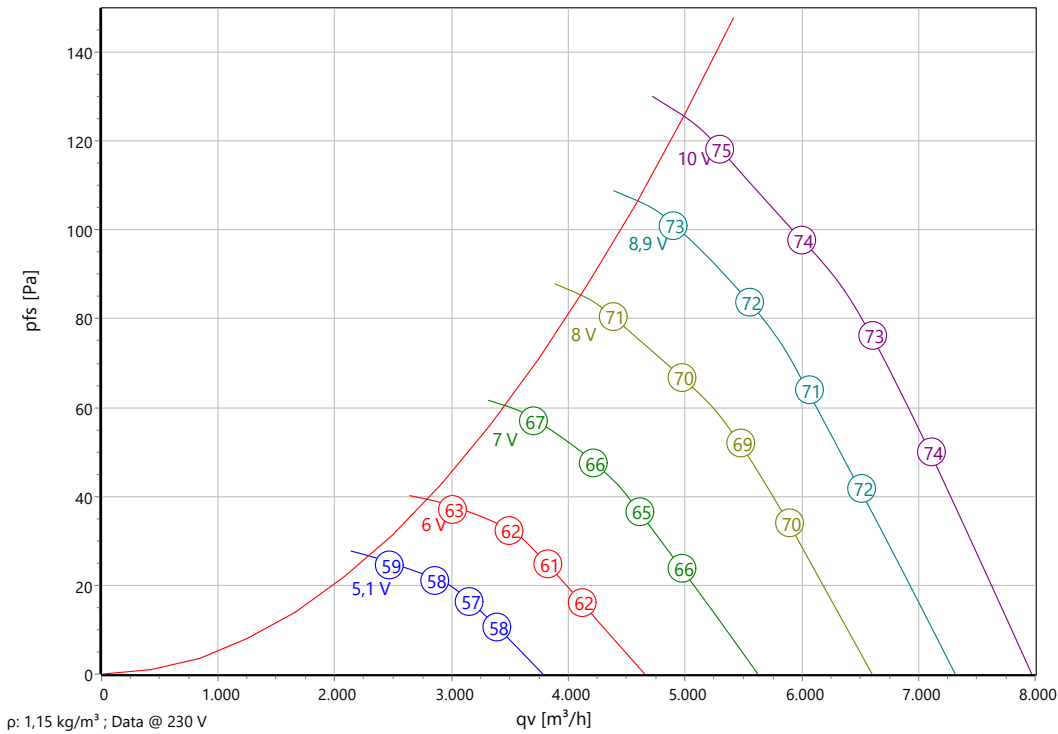




Type: **GQ 500 N.4FF KS**
Direction of airflow A (=AKSG 500 N.4FF B5)
Part no.: E02-50004



Curve:



ErP-Data:

(EU) Nr. 327/2011	(Lot11)	
q_v	5792	m³/h
p_{fs}	109	Pa
η_{fs}	38,2	%
P_{ed}	0,51	kW
n	1215	r/min
N	46	
v	8,09	m/s

Nominal Data:

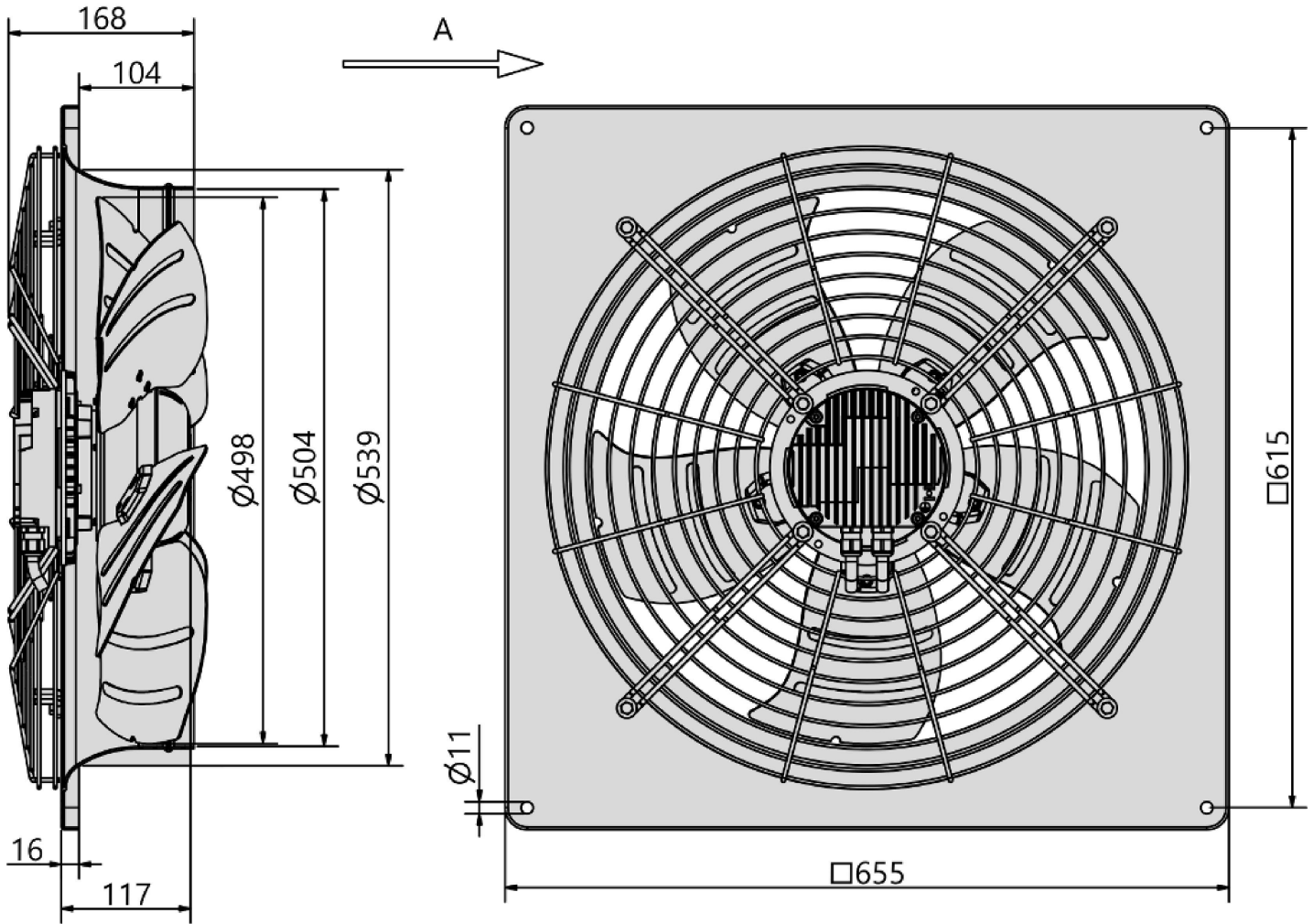
U [V]	f [Hz]	Data @ [V]	P_{ed} [kW]	I_N [A]	n_N [r/min]	t_R [°C]	k_{10} [m²/s/h]	Eff.-Rating	IP	m [kg]
1~200-277	50/60	230	0,53	2,35	1215	-25 .. +45	-	IE4	IP 54	13,5

Sound Data:

Frequency	Σ		125Hz	250Hz	500Hz	1kHz	2kHz	4kHz	8kHz	Distances	1 m	4 m
LwA(A,in) [dB(A)]		-	-16	-14	-9	-6	-5	-7	-14	LpA(A,in) [dB(A)]	-7	-17
LwA(A,out) [dB(A)]	1	-	-13	-11	-7	-4	-5	-7	-18	LpA(A,out) [dB(A)]	-6	-16

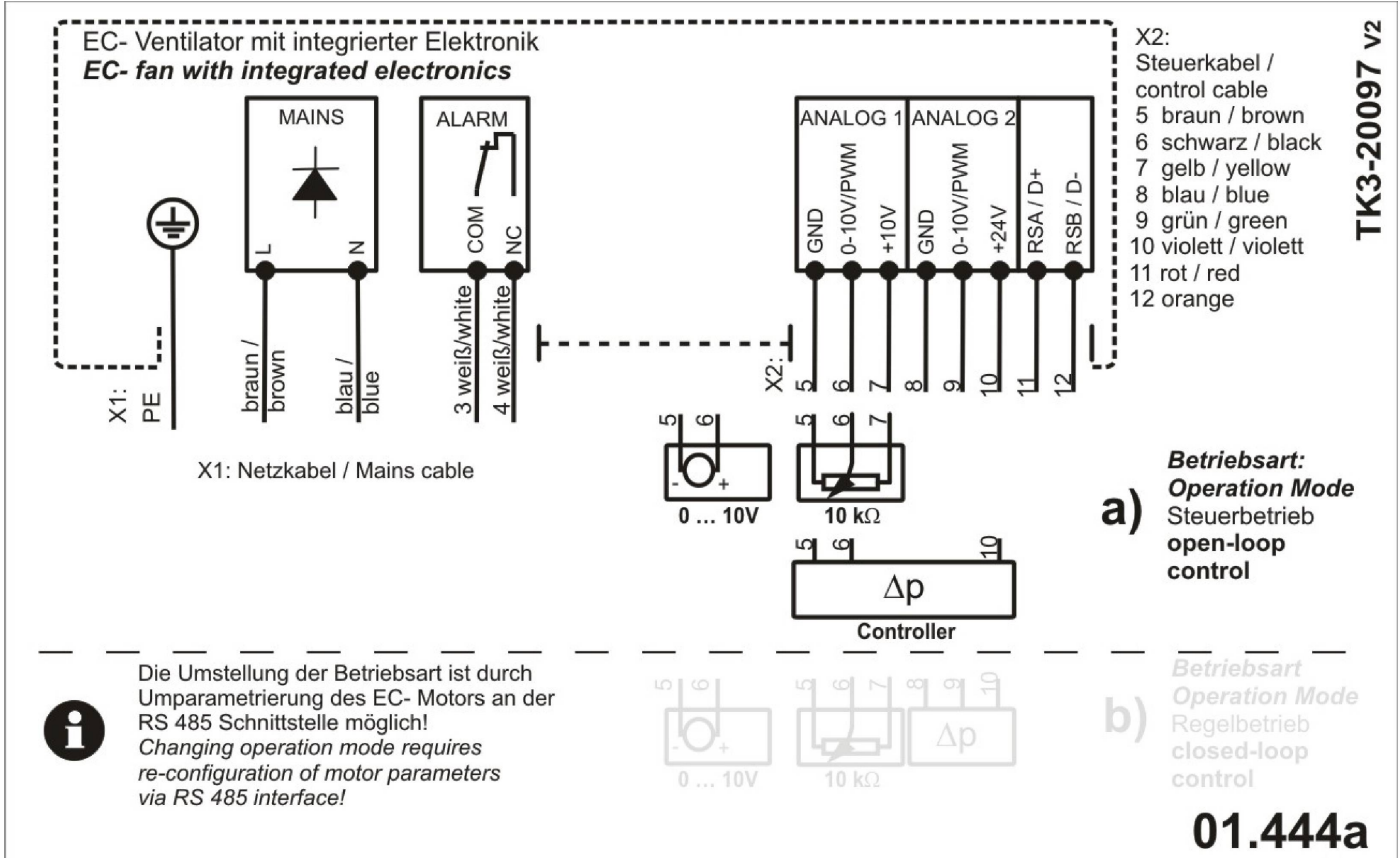


Type: **GQ 500 N.4FF KS**
 Direction of airflow A (=AKSG 500 N.4FF B5)
 Part no.: E02-50004





Type: **GQ 500 N.4FF KS**
 Direction of airflow A (=AKSG 500 N.4FF B5)
 Part no.: E02-50004



Axial fan

with square wall plate

Casing made from galvanized and plastic -coated steel, series plate mounted. Mounting either with horizontal or vertical motor shaft. Blade made of aluminum (AlMg3). Sound and efficiency optimized through fluidic shaped blades. Energy saving EC external-rotor motor exceeds IE4 / Super Premium Efficiency. Maintenance free ball bearings, closed on both sides with long-term lubrication. Magnets without rare earth elements. Motor coated black and/or die casted aluminum. Protection Class IP54 and insulation class F. 1 -phase types with cable for supply and controlling and integrated active PFC (Power Factor Correction). 3 -phase types with integrated terminal box and environmental resistant cable glands (3x M20x1,5). 100% speed controllable with integrated Motor Protection. ModBus RTU Interface integrated. Busconfiguration possible on site by customer. Soft Start. Potential -free Alarm Contact and integrated 24V Supply for Accessories. Applicable in all common energy grids. Low noise commutation. Motorized Impeller statically and dynamically balanced according to DIN ISO 21940 -11 at least with quality level G6.3. The electrical connection via lead out connection cable. Air volume control is possible over an 0 -10V Signal (accessory).

Fan complies with the guidelines required (Machinery -, EMC- and Low Voltage Directive) to comply with installation and conformity declaration as well as CE marking.

Nominal Data:

Voltage

1~200-277 V

Frequency

50/60 Hz

Input power

0,53 kW

Current

2,35 A

Speed

1215 r/min

Medium temperature

45 °C

Protection Mode

IP 54

Efficiency Class

IE4

Weight

13,5 kg

Dimensions

655 mm / 655 mm / 120 mm

Contact:

Rosenberg Ventilatoren BV

Elandlaan 8

NL - 3734 CP Den Dolder

<http://www.rosenberg.nl>

Type:

GQ 500 N.4FF KS

Article-No.:

E02-50004
