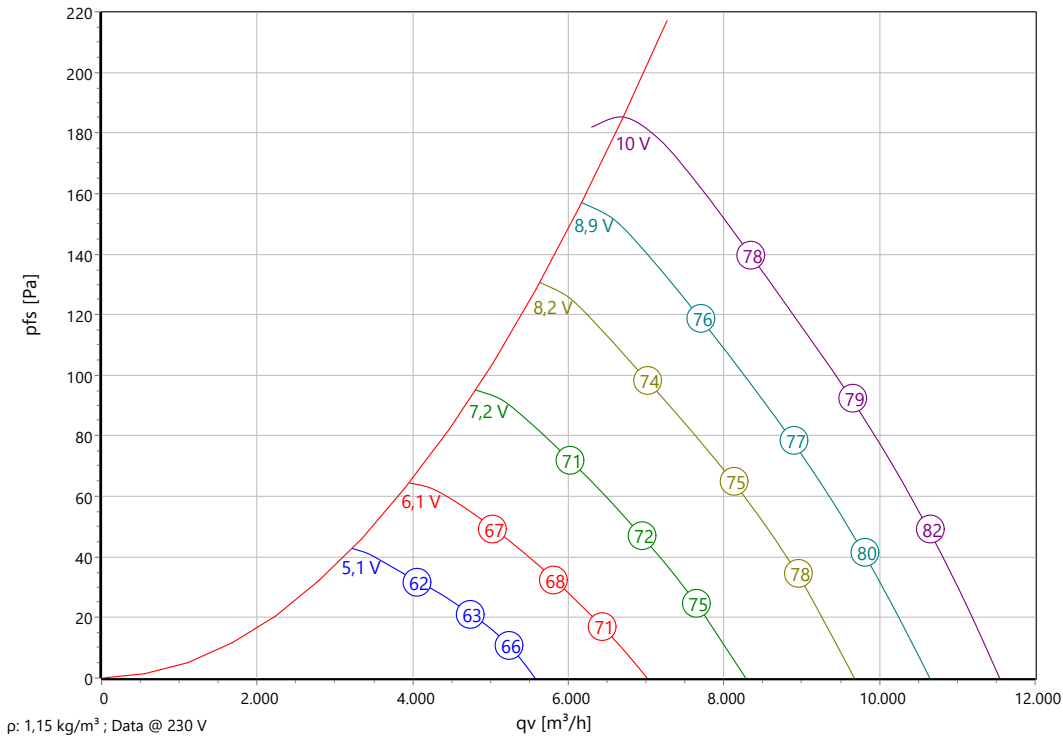




Type: **GQ 560 K.5HF KS**
Direction of airflow A (=AKSG 560 K.5HF B5)
Part no.: E02-56002



Curve:



ErP-Data:

(EU) Nr. 327/2011	(Lot11)	
q_v	7874	m³/h
p_{fs}	162	Pa
η_{fs}	40,6	%
P_{ed}	0,95	kW
n	1250	r/min
N	47	
v	8,88	m/s

Nominal Data:

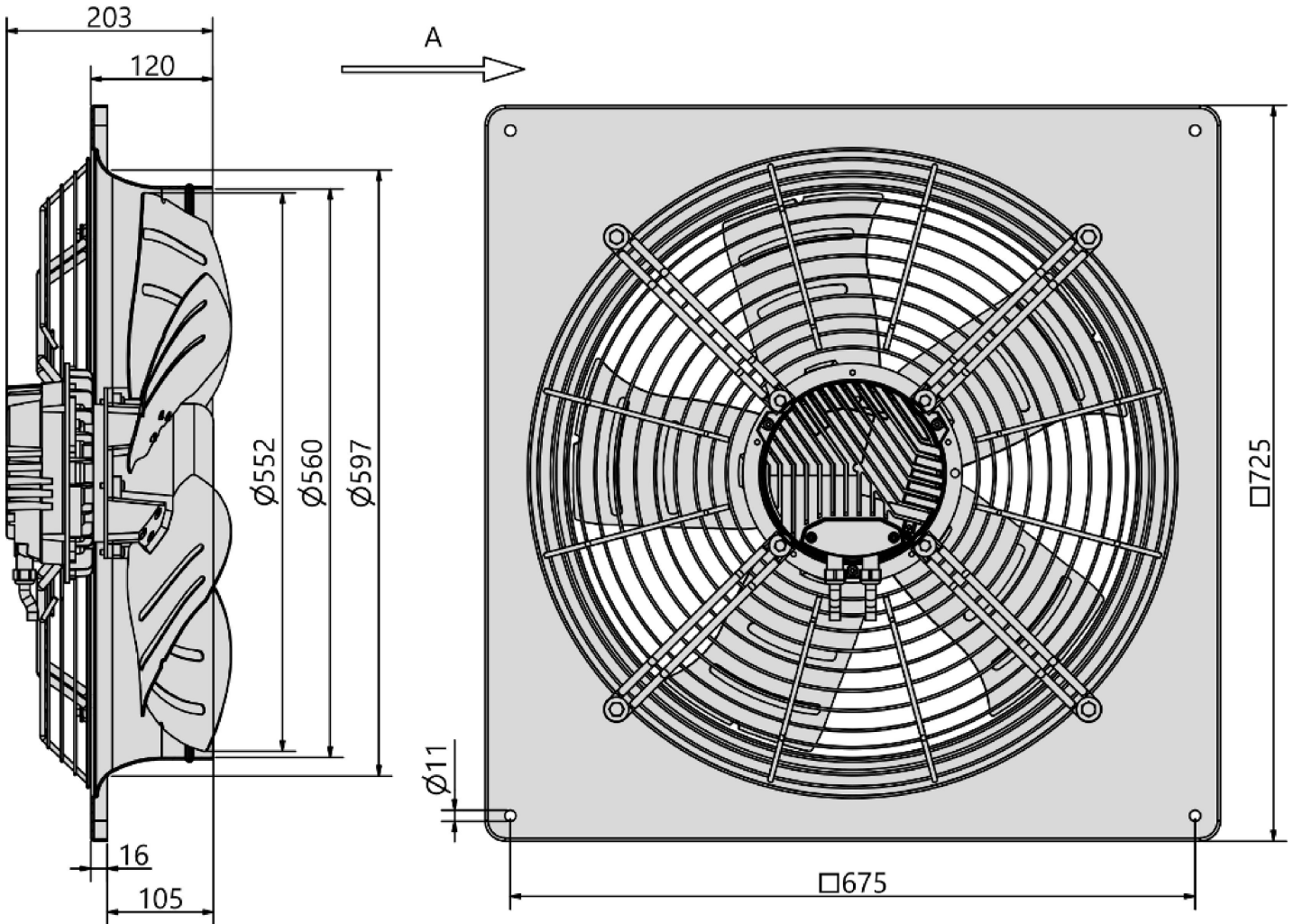
U [V]	f [Hz]	Data @ [V]	P_{ed} [kW]	I_N [A]	n_N [r/min]	t_R [°C]	k_{10} [m²/s/h]	Eff.-Rating	IP	m [kg]
1~200-277	50/60	230	1	4,4	1250	-25 .. +60	-	IE4	IP 54	23

Sound Data:

Frequency	Σ		125Hz	250Hz	500Hz	1kHz	2kHz	4kHz	8kHz	Distances	1 m	4 m
LwA(A,in) [dB(A)]		-	-17	-13	-9	-7	-6	-6	-10	LpA(A,in) [dB(A)]	-7	-17
LwA(A,out) [dB(A)]	1	-	-15	-11	-7	-5	-5	-6	-12	LpA(A,out) [dB(A)]	-6	-16

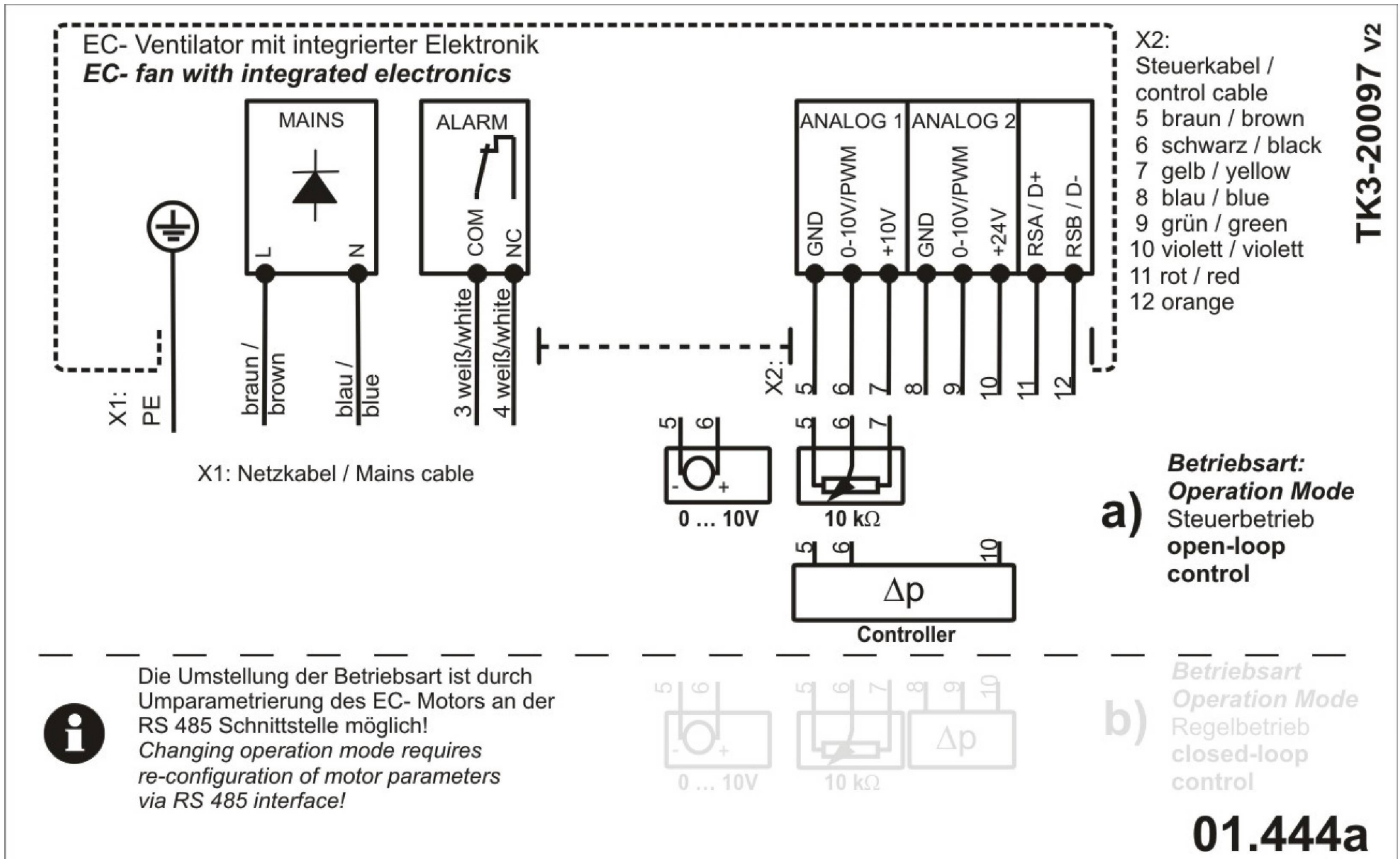


Type: **GQ 560 K.5HF KS**
Direction of airflow A (=AKSG 560 K.5HF B5)
Part no.: E02-56002





Type: **GQ 560 K.5HF KS**
 Direction of airflow A (=AKSG 560 K.5HF B5)
 Part no.: E02-56002



Axial fan

with square wall plate

Casing made from galvanized and plastic-coated steel, series plate mounted. Mounting either with horizontal or vertical motor shaft. Sickle-shaped Blade made from aluminum or coated steel sheet metal. Energy saving EC external - rotor motor exceeds IE4 / Super Premium Efficiency. Maintenance free ball bearings, closed on both sides with long-term lubrication. Magnets without rare earth elements. Motor coated black and/or die casted aluminum. Protection Class IP54 and insulation class F. 1-phase types with cable for supply and controlling and integrated active PFC (Power Factor Correction). 3-phase types with integrated terminal box and environmental resistant cable glands (3x M20x1,5). 100% speed controllable with integrated Motor Protection. ModBus RTU Interface integrated. Busconfiguration possible on site by customer. Soft Start. Potential-free Alarm Contact and integrated 24V Supply for Accessories. Applicable in all common energy grids. Low noise commutation. Motorized Impeller statically and dynamically balanced according to DIN ISO 21940-11 at least with quality level G6.3. The electrical connection via lead out connection cable. Air volume control is possible over an 0-10V Signal (accessory).

Fan complies with the guidelines required (Machinery -, EMC- and Low Voltage Directive) to comply with installation and conformity declaration as well as CE marking.

Nominal Data:

Voltage

1~200-277 V

Frequency

50/60 Hz

Input power

1 kW

Current

4,4 A

Speed

1250 r/min

Medium temperature

60 °C

Protection Mode

IP 54

Efficiency Class

IE4

Weight

23 kg

Dimensions

725 mm / 725 mm / 120 mm

Contact:

Rosenberg Ventilatoren BV

Elandlaan 8

NL - 3734 CP Den Dolder

<http://www.rosenberg.nl>

Type:

GQ 560 K.5HF KS

Article-No.:

E02-56002
