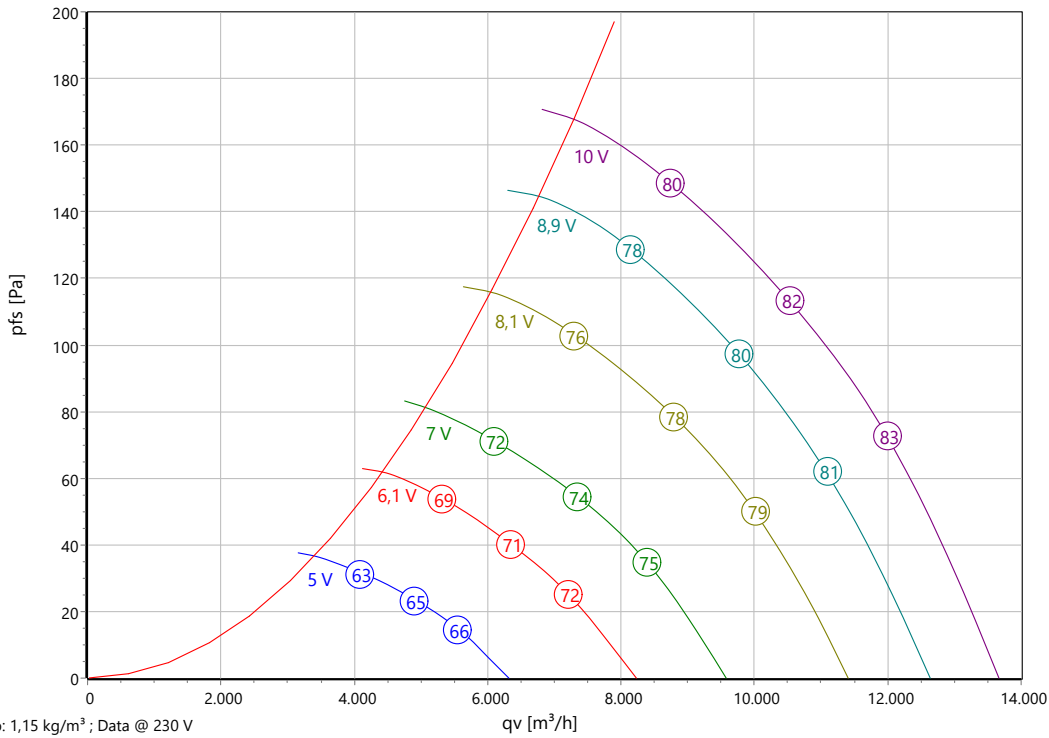




Type: **GQ 630 N.5HF KS**
Direction of airflow A (=AKSG 630 N.5HF B5)
Part no.: E02-63003



Curve:



p: 1,15 kg/m³ ; Data @ 230 V

ErP-Data:

(EU) Nr. 327/2011	(Lot11)	
q _v	9312	m³/h
p _{fs}	150	Pa
η _{fs}	43	%
P _{ed}	0,98	kW
n	1080	r/min
N	49	
v	8,17	m/s

Nominal Data:

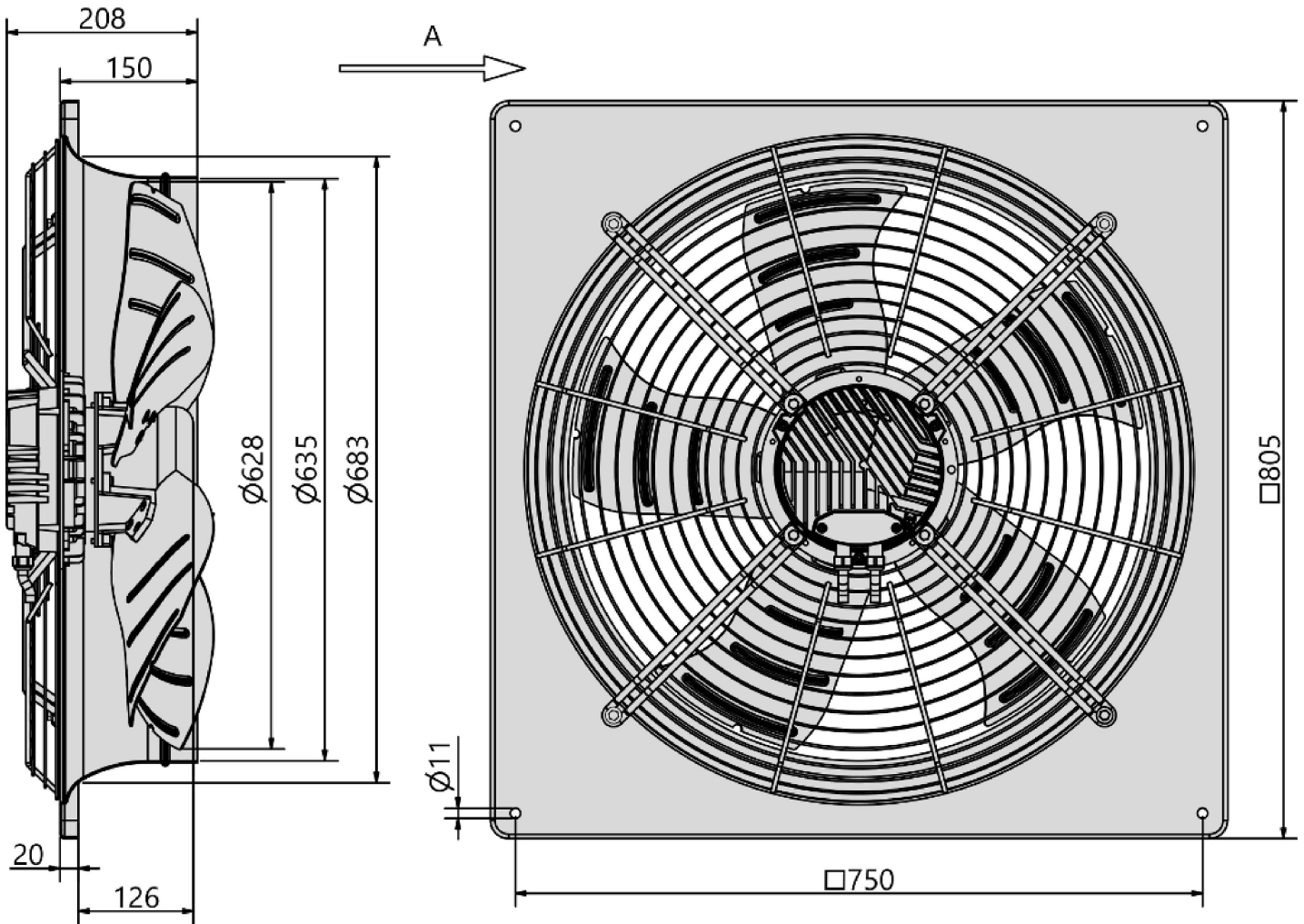
U [V]	f [Hz]	Data @ [V]	P _{ed} [kW]	I _N [A]	n _N [r/min]	t _R [°C]	k ₁₀ [m²s/h]	Eff.-Rating	IP	m [kg]
1~200-277	50/60	230	1	4,4	1080	-25 .. +60	-	IE4	IP 54	25

Sound Data:

Frequency	Σ		125Hz	250Hz	500Hz	1kHz	2kHz	4kHz	8kHz	Distances	1 m	4 m
LwA(A,in) [dB(A)]		-	-18	-16	-10	-5	-5	-7	-16	LpA(A,in) [dB(A)]	-7	-17
LwA(A,out) [dB(A)]	-1	-	-16	-13	-10	-6	-7	-9	-14	LpA(A,out) [dB(A)]	-8	-18

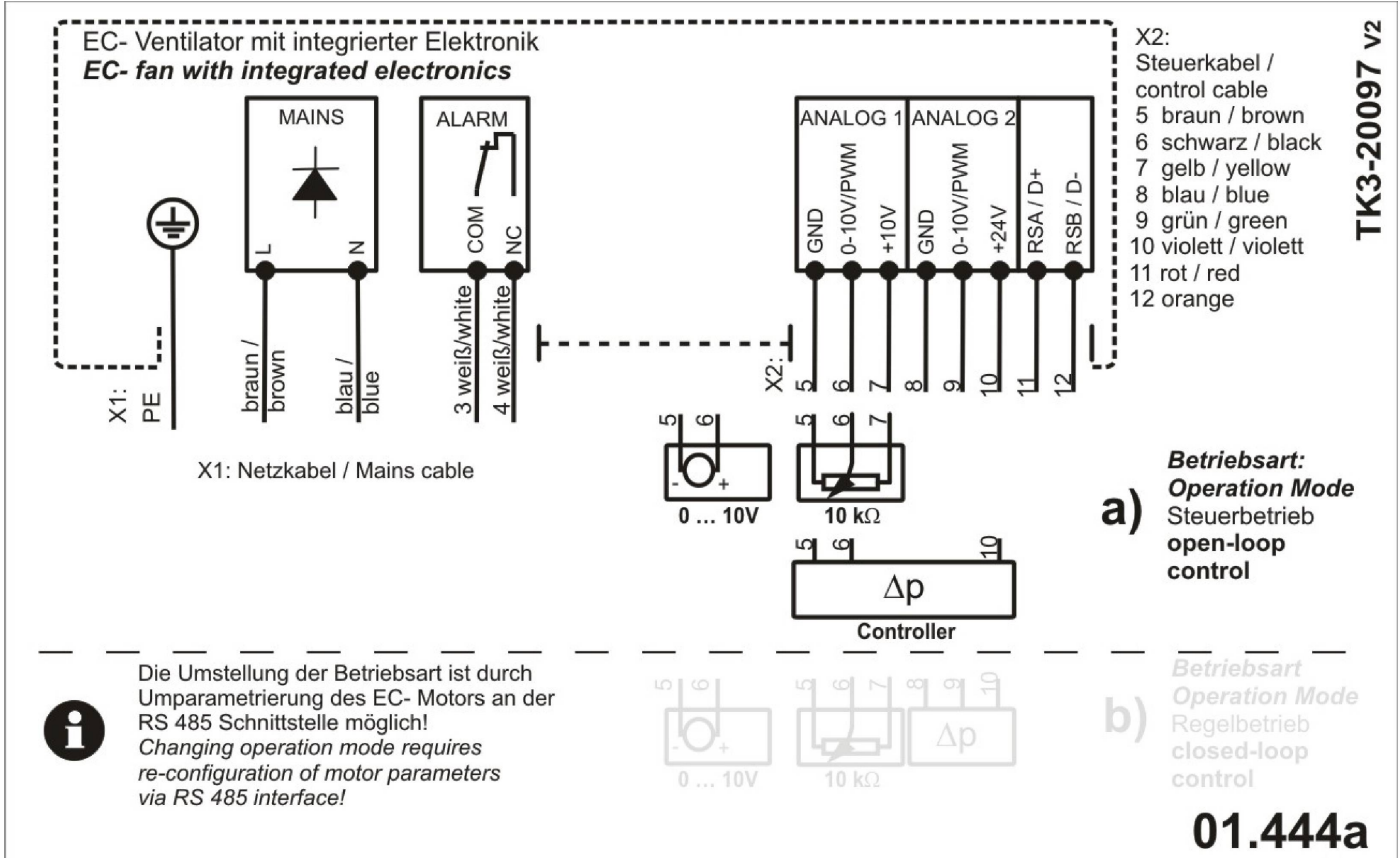


Type: **GQ 630 N.5HF KS**
Direction of airflow A (=AKSG 630 N.5HF B5)
Part no.: E02-63003





Type: **GQ 630 N.5HF KS**
 Direction of airflow A (=AKSG 630 N.5HF B5)
 Part no.: E02-63003



Axial fan

with square wall plate

Casing made from galvanized and plastic-coated steel, series plate mounted. Mounting either with horizontal or vertical motor shaft. Sickle-shaped Blade made from aluminum or coated steel sheet metal. Energy saving EC external - rotor motor exceeds IE4 / Super Premium Efficiency. Maintenance free ball bearings, closed on both sides with long-term lubrication. Magnets without rare earth elements. Motor coated black and/or die casted aluminum. Protection Class IP54 and insulation class F. 1-phase types with cable for supply and controlling and integrated active PFC (Power Factor Correction). 3-phase types with integrated terminal box and environmental resistant cable glands (3x M20x1,5). 100% speed controllable with integrated Motor Protection. ModBus RTU Interface integrated. Busconfiguration possible on site by customer. Soft Start. Potential-free Alarm Contact and integrated 24V Supply for Accessories. Applicable in all common energy grids. Low noise commutation. Motorized Impeller statically and dynamically balanced according to DIN ISO 21940-11 at least with quality level G6.3. The electrical connection via lead out connection cable. Air volume control is possible over an 0-10V Signal (accessory).

Fan complies with the guidelines required (Machinery -, EMC- and Low Voltage Directive) to comply with installation and conformity declaration as well as CE marking.

Nominal Data:

Voltage

1~200-277 V

Frequency

50/60 Hz

Input power

1 kW

Current

4,4 A

Speed

1080 r/min

Medium temperature

60 °C

Protection Mode

IP 54

Efficiency Class

IE4

Weight

25 kg

Dimensions

805 mm / 805 mm / 150 mm

Contact:

Rosenberg Ventilatoren BV

Elandlaan 8

NL - 3734 CP Den Dolder

<http://www.rosenberg.nl>

Type:

GQ 630 N.5HF KS

Article-No.:

E02-63003
