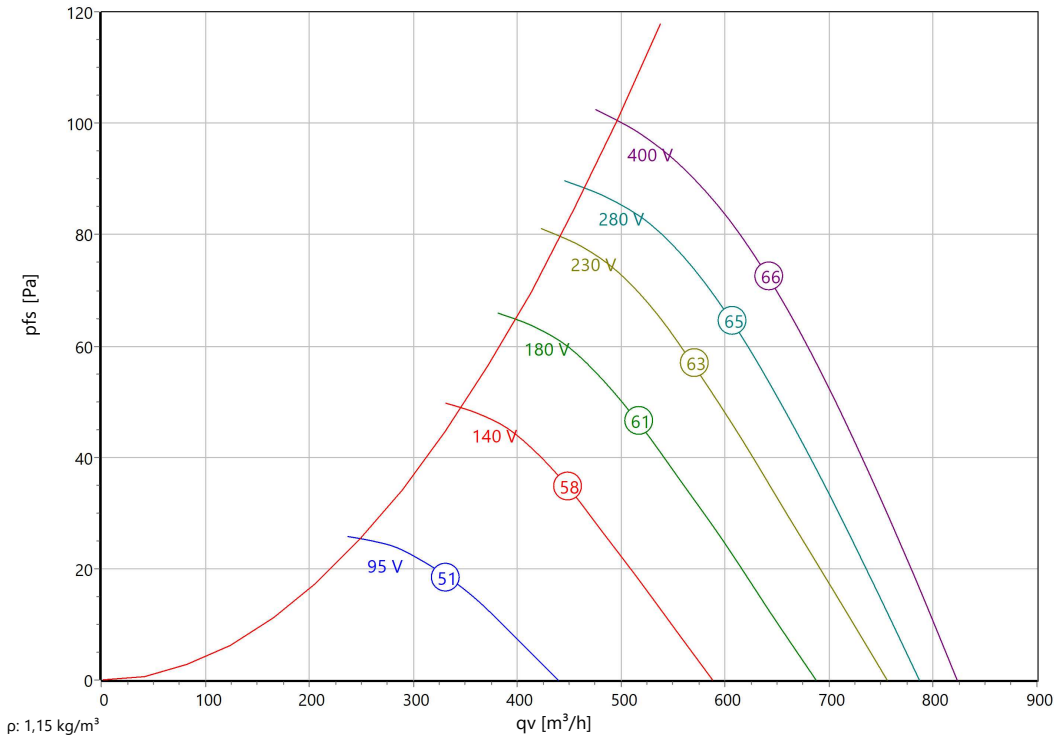




Type: **DQ 200-2.3CF**
 Part no.: E00-20002



Curve:



Nominal Data:

U [V]	f [Hz]	C [μF]	Pe [kW]	IN [A]	nN [r/min]	tR [°C]	k10 [m²s/h]	IA / IN	IP	m [kg]
400 D	50	-	0,072	0,23	2685	-20 .. +70	-	-	IP 44	3,5

Sound Data:

Frequency	Σ	125Hz	250Hz	500Hz	1kHz	2kHz	4kHz	8kHz	Distances	1 m	4 m
LwA(A,in) [dB(A)]		-24	-11	-8	-6	-5	-8	-15	LpA(A,in) [dB(A)]	-7	-17

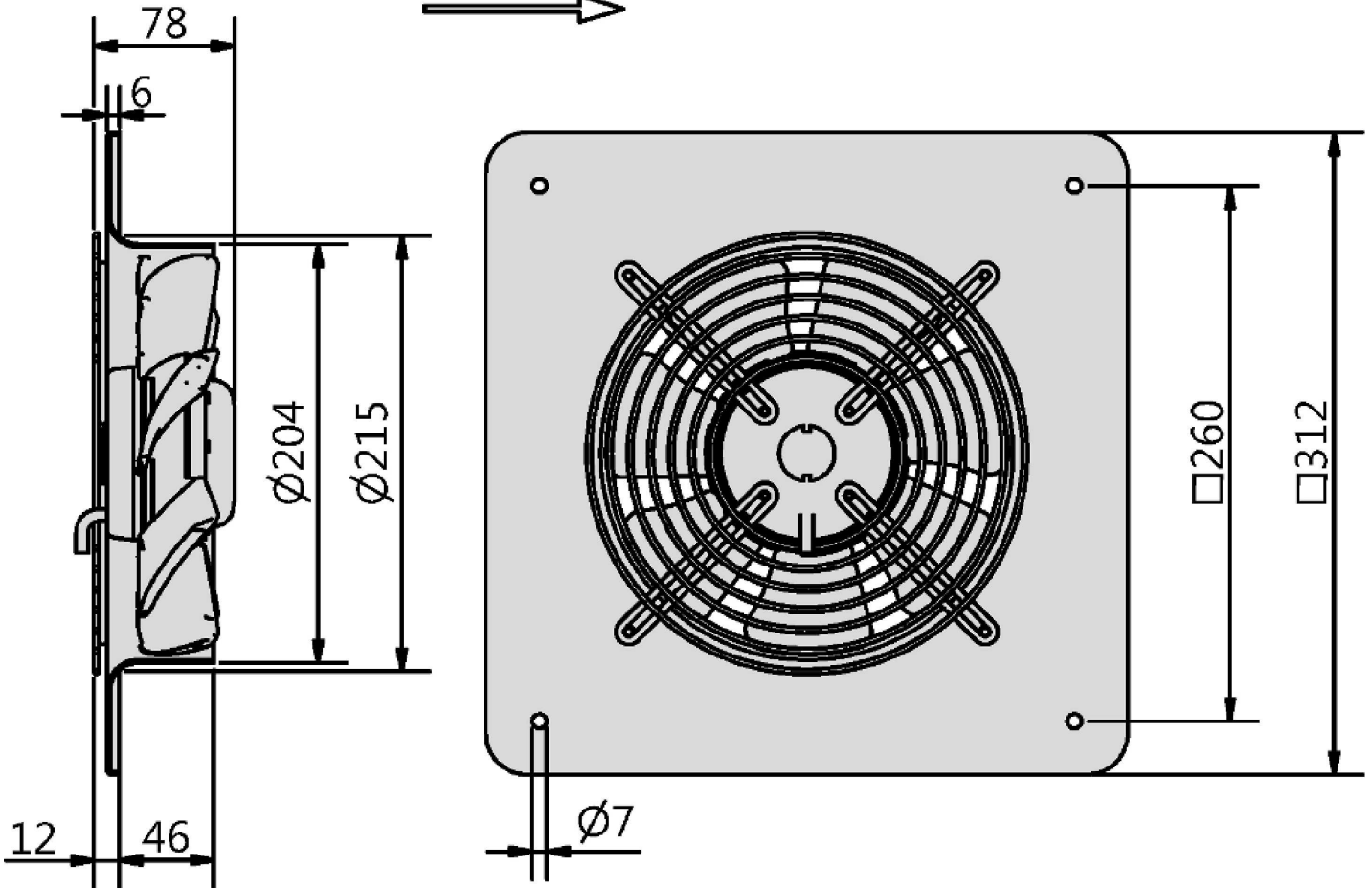


Type: **DQ 200-2.3CF**

Part no.: E00-20002



Förderrichtung / Air Direction "A"





Type: **DQ 200-2.3CF**
 Part no.: E00-20002

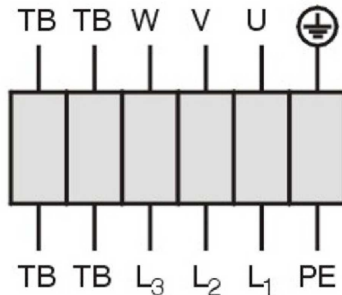


Drehstrommotor mit Thermostatschalter (TB).
 Drehrichtungsänderung durch Vertauschen von 2 Phasen.

Three phase motor with thermostatic switch (TB). Changing of rotation direction by interchanging of 2 phases.

*Moteur triphasé avec interrupteur thermostatique (TB).
 Changement de sens de rotation par inversion de deux phases.*

TK3-20035



U braun / brown / brun
 V blau oder grau
 blue or grey
 bleu or gris
 W schwarz / black / noir
 TB weiß / white / blanc
 PE gelb-grün
 yellow-green
 jaune-vert

01.019

Axial fan

with square wall plate

Casing made from galvanized and plastic-coated steel, series plate mounted. Mounting either with horizontal or vertical motor shaft. Blade made of Polyamid (PA) UL95 V-0. Direct-driven single-phase alternating current motor and three-phase motor with class F insulation system. For single-phase motors, motor protection is provided by thermal contacts built into the winding and connected in series. Three-phase motors have no internal protection system and must be connected to an external protection system. When using an electronic voltage control unit or a frequency converter, a sine filter must be used. Maintenance-free ball bearings, closed on both sides, with long-term lubrication. Motorized Impeller statically and dynamically balanced according to DIN ISO 21940-11 at least with quality level G6.3. The electrical connection is mounted by a terminal box (loose). Air volume control is possible by the use of a step transformer (accessory).

Fan complies with the guidelines required (Machinery-, EMC- and Low Voltage Directive) to comply with installation and conformity declaration as well as CE marking.

Nominal Data:

Voltage

400 D V

Frequency

50 Hz

Input power

0,072 kW

Current

0,23 A

Speed

2685 r/min

Medium temperature

70 °C

Protection Mode

IP 44

Weight

3,5 kg

Dimensions

312 mm / 312 mm / 78 mm

Contact:

Rosenberg Ventilatoren BV

Elandlaan 8

NL - 3734 CP Den Dolder

www.rosenberg.nl

Type:

DQ 200-2.3CF

Article-No.:

E00-20002