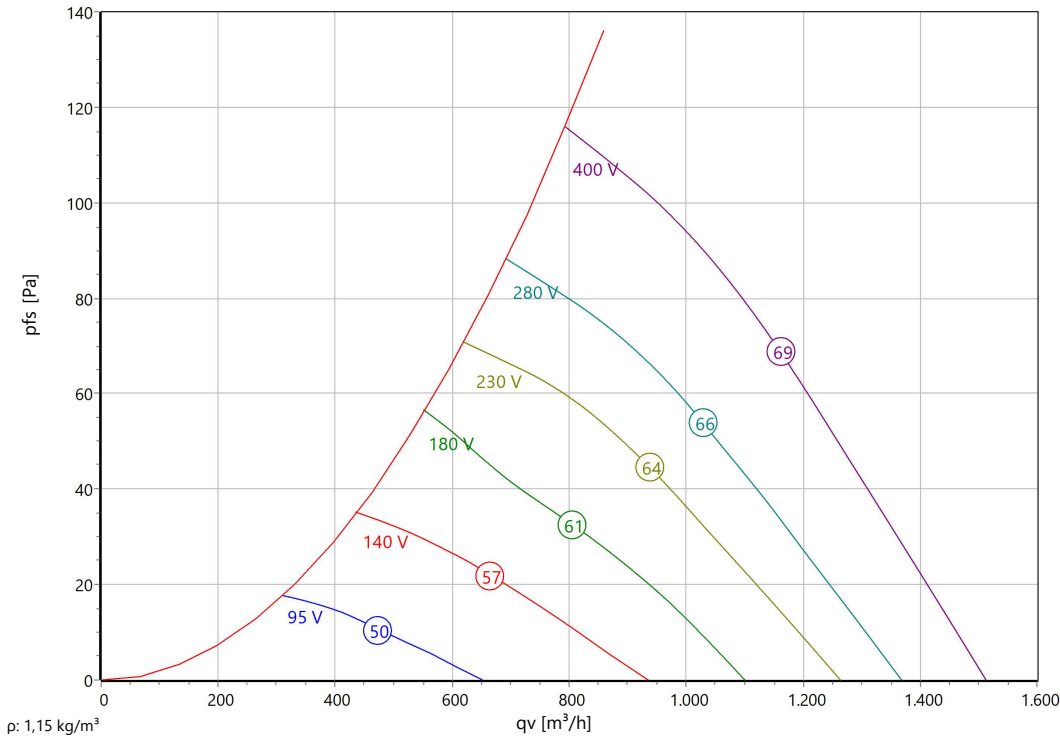




Type: **DQ 250-2.3DF**  
Part no.: E00-25015



**Curve:**



**Nominal Data:**

U [V]	f [Hz]	C [μF]	Pe [kW]	IN [A]	nN [r/min]	tR [°C]	k10 [m²s/h]	IA / IN	IP	m [kg]
400 D	50	-	0,086	0,19	2635	-20 .. +70	-	2,1	IP 44	4,3

**Sound Data:**

Frequency	Σ	125Hz	250Hz	500Hz	1kHz	2kHz	4kHz	8kHz	Distances	1 m	4 m
LwA(A,in) [dB(A)]		-27	-11	-5	-6	-7	-9	-16	LpA(A,in) [dB(A)]	-7	-17

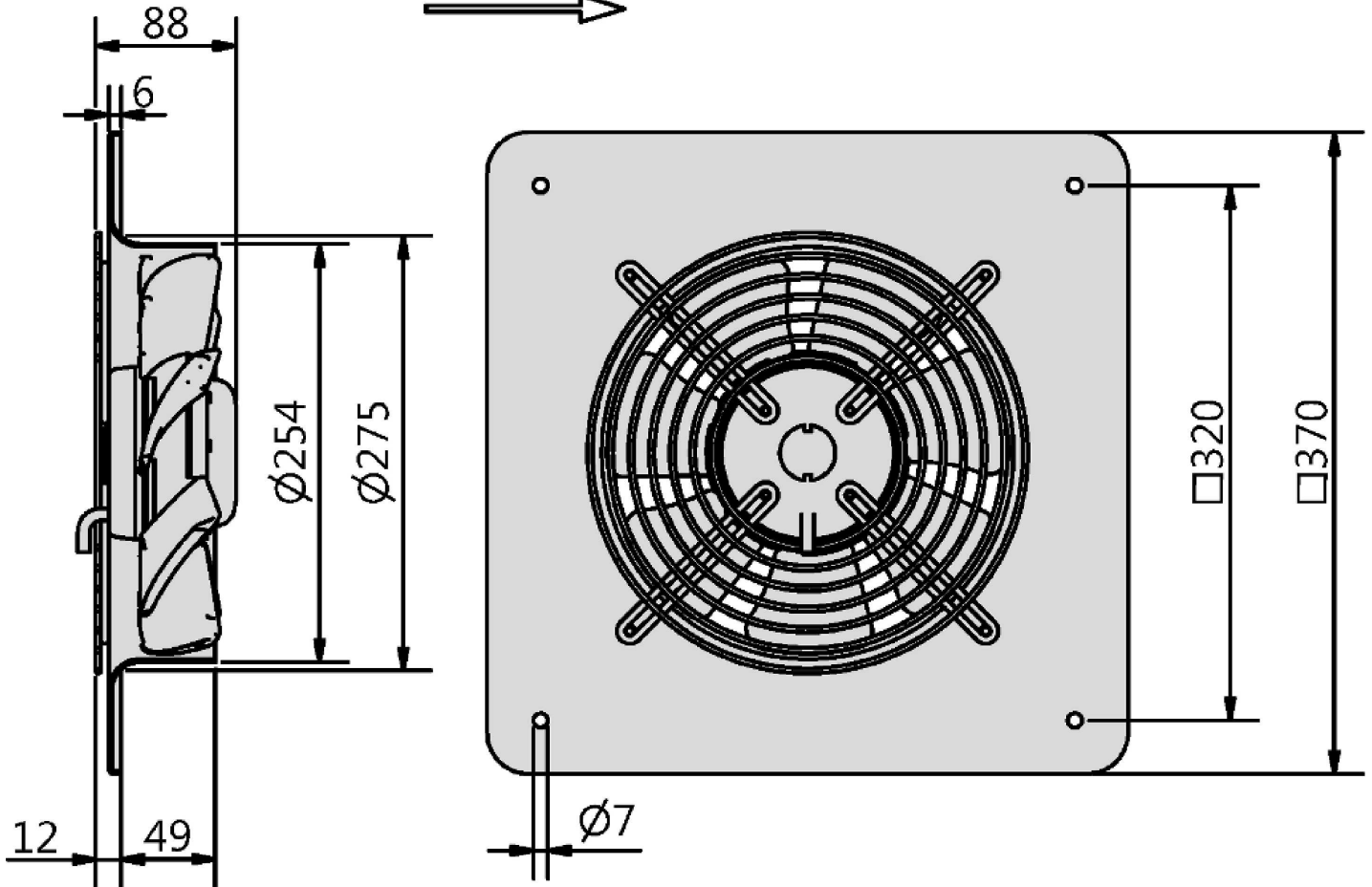


Type: **DQ 250-2.3DF**

Part no.: E00-25015



Förderrichtung / Air Direction "A"





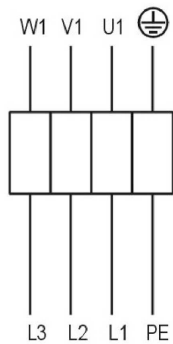
Type: **DQ 250-2.3DF**  
 Part no.: E00-25015



**Drehstrommotor ohne Thermostatschalter.  
 Drehrichtungsänderung durch Vertauschen von 2 Phasen.**

Three phase motor without thermostatic switch.  
 Chang of direction of spin by interchanging of 2 phases.

**Moteur triphasé sans interrupteur thermostatique thermocontact.  
 Changement de sens de rotation par inversion de deux phases.**



U1 braun / brown / brun  
 V1 blau / blue / bleu  
 W1 schwarz/black/noir

PE gelb - grün  
 yellow - green  
 jaune - vert

Nr. 01.331

### **Axial fan**

with square wall plate

Casing made from galvanized and plastic-coated steel, series plate mounted. Mounting either with horizontal or vertical motor shaft. Blade made of Polyamid (PA) UL95 V-0. Direct-driven single-phase alternating current motor and three-phase motor with class F insulation system. For single-phase motors, motor protection is provided by thermal contacts built into the winding and connected in series. Three-phase motors have no internal protection system and must be connected to an external protection system. When using an electronic voltage control unit or a frequency converter, a sine filter must be used. Maintenance-free ball bearings, closed on both sides, with long-term lubrication. Motorized Impeller statically and dynamically balanced according to DIN ISO 21940-11 at least with quality level G6.3. The electrical connection is mounted by a terminal box (loose). Air volume control is possible by the use of a step transformer (accessory).

Fan complies with the guidelines required (Machinery-, EMC- and Low Voltage Directive) to comply with installation and conformity declaration as well as CE marking.

### **Nominal Data:**

Voltage

400 D V

Frequency

50 Hz

Input power

0,086 kW

Current

0,19 A

Speed

2635 r/min

Medium temperature

70 °C

Protection Mode

IP 44

Weight

4,3 kg

Dimensions

370 mm / 370 mm / 88 mm

### **Contact:**

Rosenberg Ventilatoren BV

Elandlaan 8

NL - 3734 CP Den Dolder

[www.rosenberg.nl](http://www.rosenberg.nl)

### **Type:**

DQ 250-2.3DF

### **Article-No.:**

E00-25015