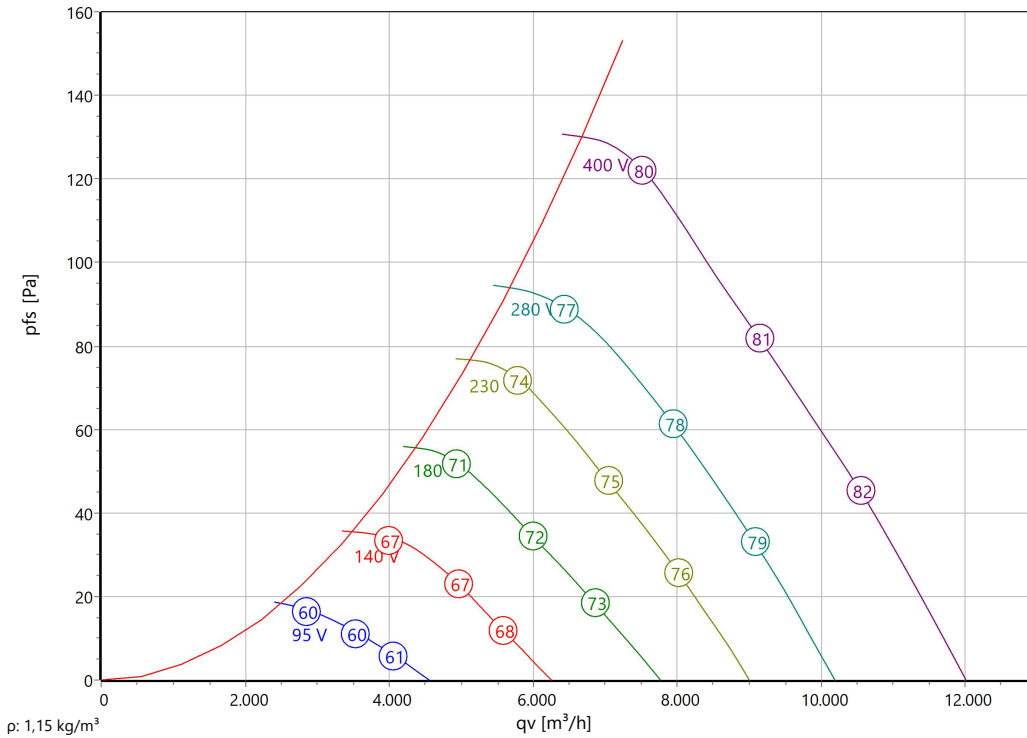




Type: **DQ 560-4.5HA**
Part no.: E00-56053



Curve:



ErP-Data:

	(EU) Nr. 327/2011	(Lot11)
qV	6766	m³/h
pfs	136	Pa
ηfs	34	%
Pe	0,75	kW
n	1250	r/min
N	41	
v	7,64	m/s

Nominal Data:

U [V]	f [Hz]	C [μF]	Pe [kW]	IN [A]	nN [r/min]	tR [°C]	k10 [m²s/h]	IA / IN	IP	m [kg]
400 D	50	-	0,75	1,63	1250	-25 .. +50	-	2,8	IP 54	19,5

Sound Data:

Frequency	Σ	125Hz	250Hz	500Hz	1kHz	2kHz	4kHz	8kHz	Distances	1 m	4 m
LwA(A,in) [dB(A)]		-21	-10	-6	-6	-9	-13	-20	LpA(A,in) [dB(A)]	-7	-17

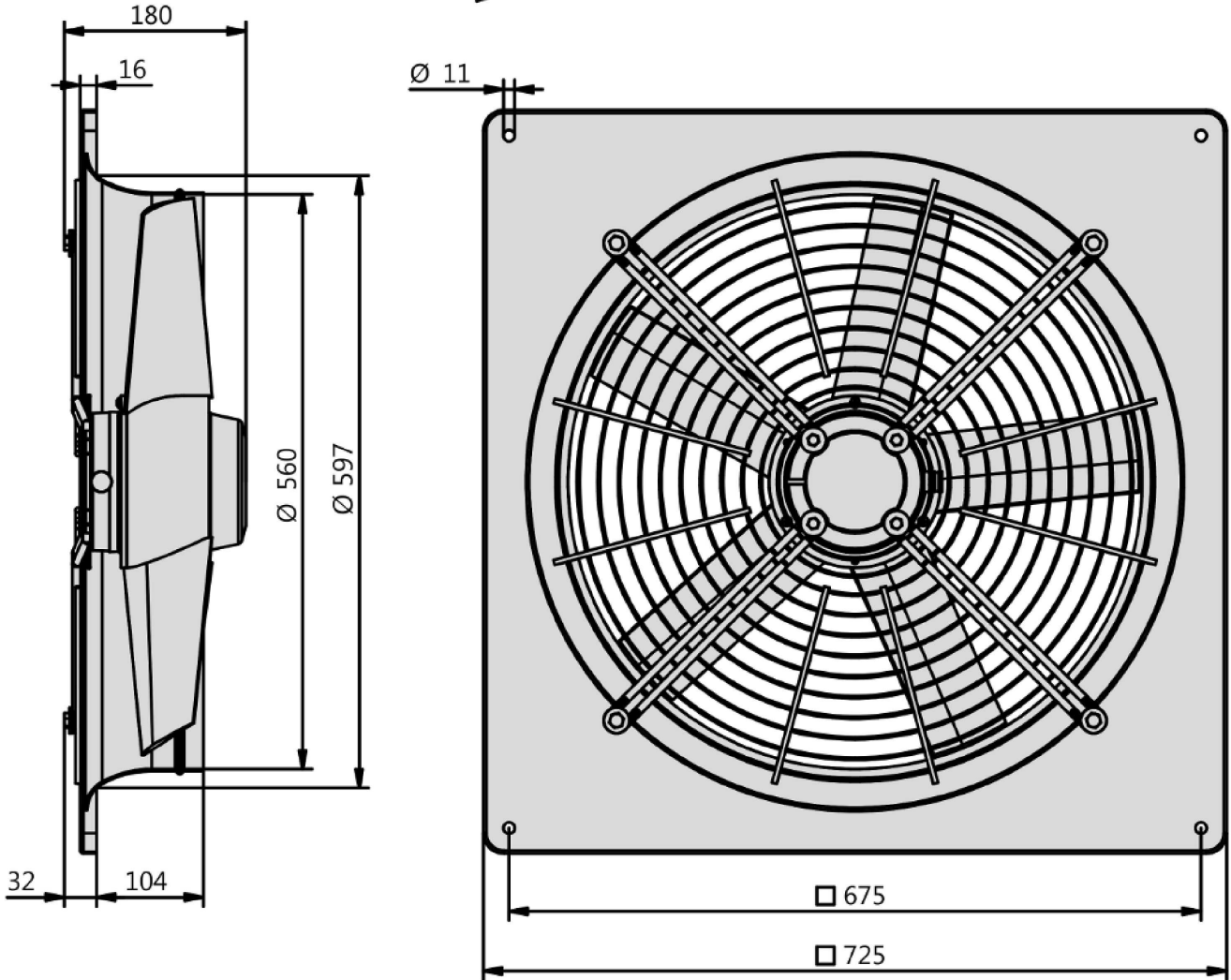


Type: **DQ 560-4.5HA**

Part no.: E00-56053



Förderrichtung / Air direction "A"





Type: **DQ 560-4.5HA**
 Part no.: E00-56053

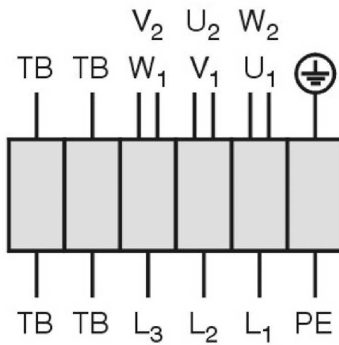


Drehstrommotor in Δ -Schaltung mit Thermostatschalter (TB).
 Drehrichtungsänderung durch Vertauschen von 2 Phasen.

Three phase motor in delta connection with thermostatic switch (TB). Changing of rotation direction by interchanging of 2 phases.

Moteur triphasé branché en triangle avec interrupteur thermostatique (TB). Changement de sens de rotation par inversion de deux phases.

TK3-20004



U ₁	braun / brown / brun
V ₁	blau / blue / bleu
W ₁	schwarz / black / noir
U ₂	rot / red / rouge
V ₂	grau / grey / gris
W ₂	orange / orange / orange
TB	weiß / white / blanc
PE	gelb-grün yellow-green jaune-vert

01.006

Axial fan

with square wall plate

Casing made from galvanized and plastic-coated steel, series plate mounted. Mounting either with horizontal or vertical motor shaft. Blade made of plastic. Voltage controllable AC external rotor motor. Maintenance free ball bearings, closed on both sides with long-term lubrication. Motor coated black and/or die casted aluminum. Standard configuration with cable. Motor protection is guaranteed by thermal contacts, which are inlaid into the motor windings. These contacts protect the motor from being overloaded through phase failure, too high medium temperature or locked rotor. Isolation Class F. Motorized Impeller statically and dynamically balanced according to DIN ISO 21940-11 at least with quality level G6.3. The electrical connection is mounted by a terminal box (loose). Air volume control is possible by the use of a step transformer (accessory).

Fan complies with the guidelines required (Machinery-, EMC- and Low Voltage Directive) to comply with installation and conformity declaration as well as CE marking.

Nominal Data:

Voltage
400 D V
Frequency
50 Hz
Input power
0,75 kW
Current
1,63 A
Speed
1250 r/min
Medium temperature
50 °C
Protection Mode
IP 54
Weight
19,5 kg
Dimensions
725 mm / 725 mm / 170 mm

Contact:

Rosenberg Ventilatoren BV
Elandlaan 8
NL - 3734 CP Den Dolder
www.rosenberg.nl

Type:

DQ 560-4.5HA

Article-No.:

E00-56053