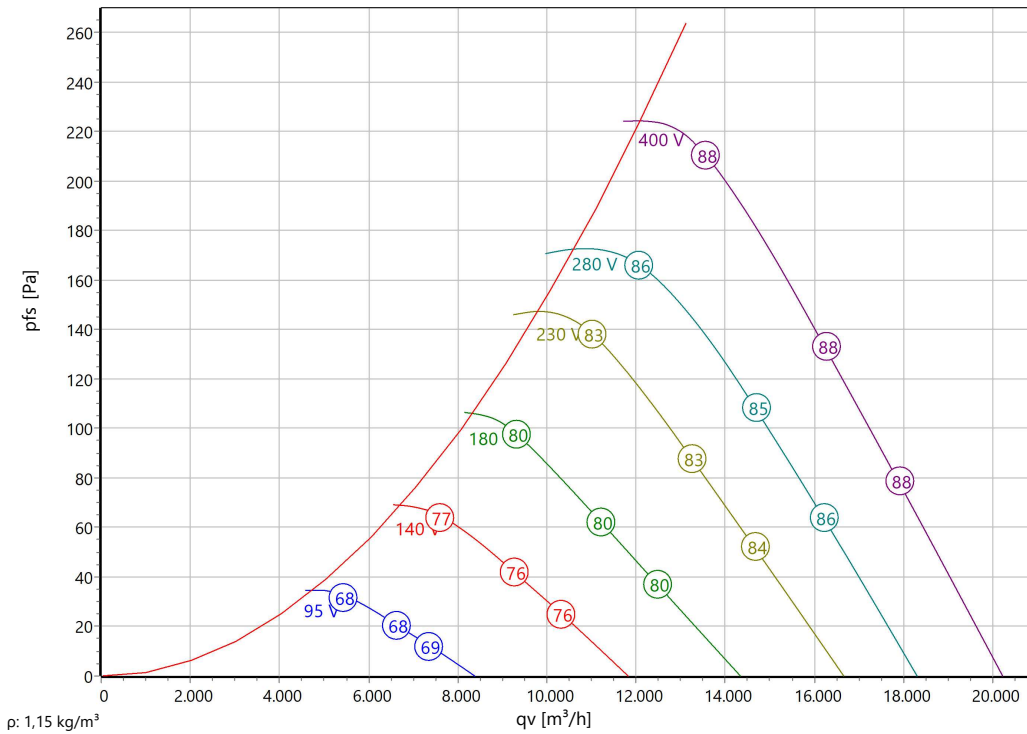




Type: **DQ 630-4.6LA**  
Part no.: E00-63093



**Curve:**



**ErP-Data:**

(EU) Nr. 327/2011	(Lot11)
qV	12440 m <sup>3</sup> /h
pfs	243 Pa
$\eta_{fs}$	36,4 %
Pe	2,31 kW
n	1351 r/min
N	40
v	11,1 m/s

**Nominal Data:**

U [V]	f [Hz]	C [ $\mu$ F]	Pe [kW]	IN [A]	nN [r/min]	tR [°C]	k10 [m <sup>2</sup> s/h]	IA / IN	IP	m [kg]
400 D	50	-	2,31	4,42	1350	-25 .. +65	-	2,8	IP 54	39

**Sound Data:**

Frequency	$\Sigma$	125Hz	250Hz	500Hz	1kHz	2kHz	4kHz	8kHz	Distances	1 m	4 m
LwA(A,in) [dB(A)]		-19	-11	-7	-5	-6	-9	-18	LpA(A,in) [dB(A)]	-7	-17

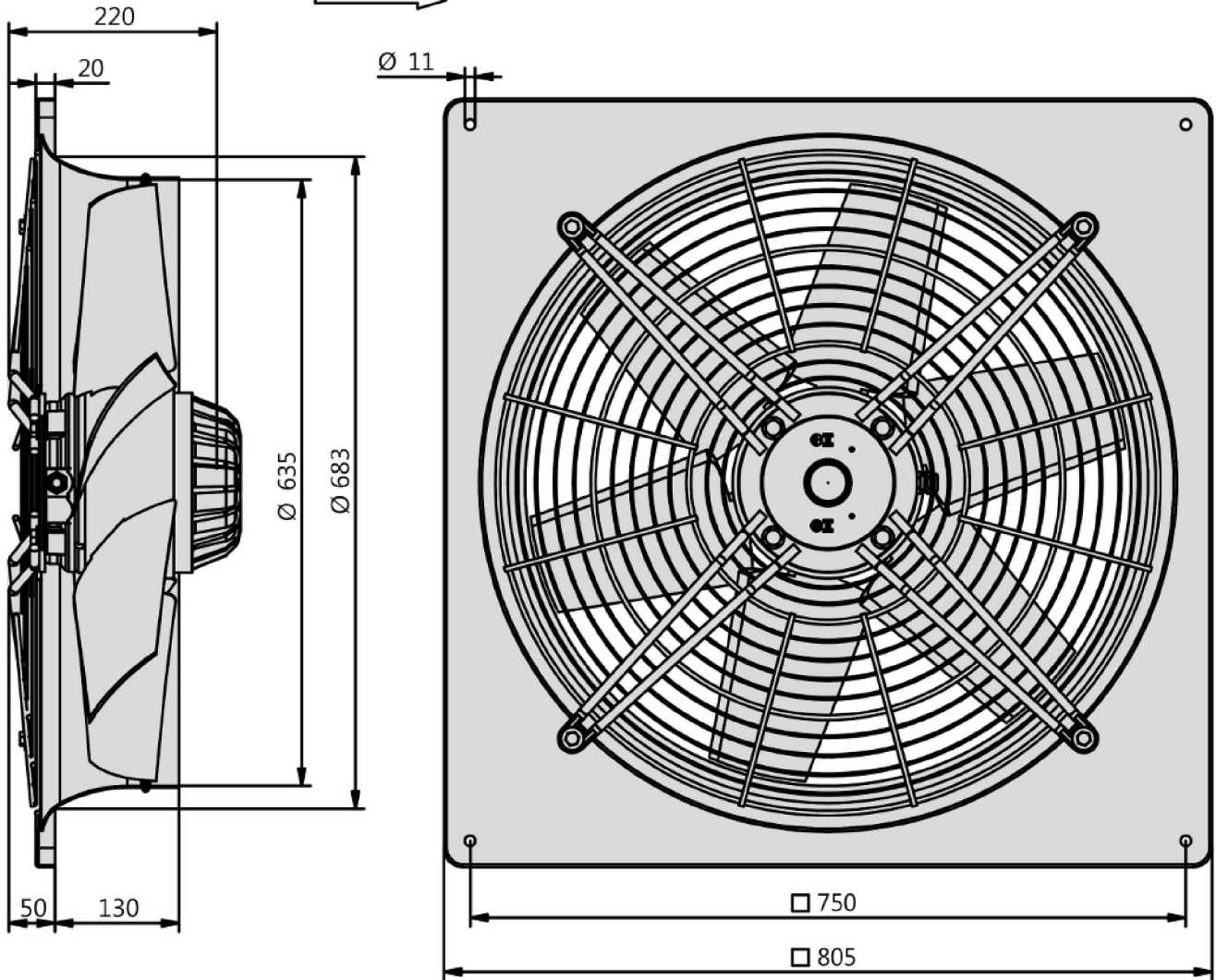


Type: **DQ 630-4.6LA**

Part no.: E00-63093



Förderrichtung / Air direction "A"





Type: **DQ 630-4.6LA**  
Part no.: E00-63093

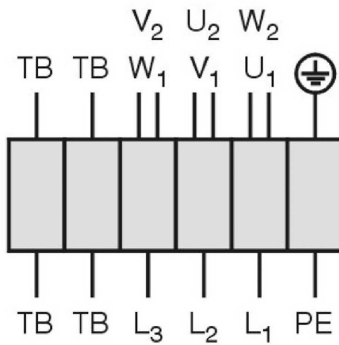


Drehstrommotor in  $\Delta$ -Schaltung mit Thermostatschalter (TB).  
Drehrichtungsänderung durch Vertauschen von 2 Phasen.

**Three phase motor in delta connection with thermostatic switch (TB). Changing of rotation direction by interchanging of 2 phases.**

**Moteur triphasé branché en triangle avec interrupteur thermostatique (TB). Changement de sens de rotation par inversion de deux phases.**

TK3-20004



U <sub>1</sub>	braun / brown / brun
V <sub>1</sub>	blau / blue / bleu
W <sub>1</sub>	schwarz / black / noir
U <sub>2</sub>	rot / red / rouge
V <sub>2</sub>	grau / grey / gris
W <sub>2</sub>	orange / orange / orange
TB	weiß / white / blanc
PE	gelb-grün yellow-green jaune-vert

01.006

### **Axial fan**

with square wall plate

Casing made from galvanized and plastic-coated steel, series plate mounted. Mounting either with horizontal or vertical motor shaft. Blade made of aluminum (AlMg3). Voltage controllable AC external rotor motor. Maintenance free ball bearings, closed on both sides with long-term lubrication. Motor coated black and/or die casted aluminum. Standard configuration with cable. Motor protection is guaranteed by thermal contacts, which are inlaid into the motor windings. These contacts protect the motor from being overloaded through phase failure, too high medium temperature or locked rotor. Isolation Class F. Motorized Impeller statically and dynamically balanced according to DIN ISO 21940-11 at least with quality level G6.3. The electrical connection is mounted by a terminal box (loose). Air volume control is possible by the use of a step transformer (accessory).

Fan complies with the guidelines required (Machinery-, EMC- and Low Voltage Directive) to comply with installation and conformity declaration as well as CE marking.

### **Nominal Data:**

Voltage  
400 D V  
Frequency  
50 Hz  
Input power  
2,31 kW  
Current  
4,42 A  
Speed  
1350 r/min  
Medium temperature  
65 °C  
Protection Mode  
IP 54  
Weight  
39 kg  
Dimensions  
805 mm / 805 mm / 245 mm

### **Contact:**

Rosenberg Ventilatoren BV  
Elandlaan 8  
NL - 3734 CP Den Dolder  
[www.rosenberg.nl](http://www.rosenberg.nl)

### **Type:**

DQ 630-4.6LA

### **Article-No.:**

E00-63093