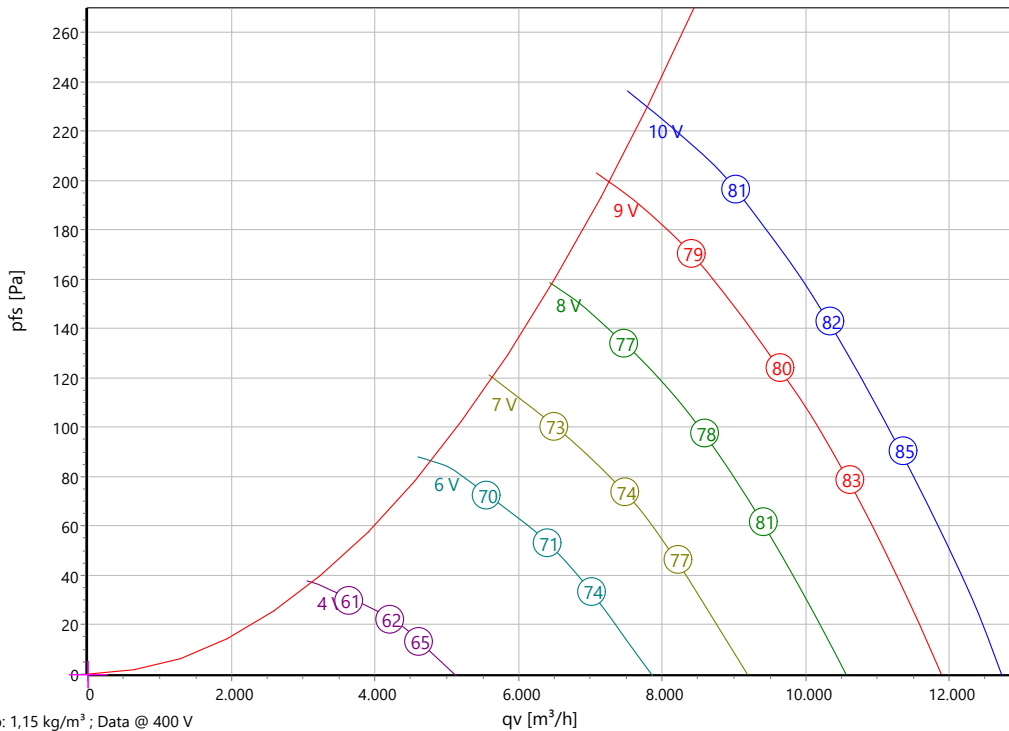




Type: **GQ 560 K.5HF KK Gen3**
Direction of airflow A (=AKSG 560 K.5HF A5)
Part no.: E02-56003



Curve:



$p: 1,15 \text{ kg/m}^3$; Data @ 400 V

ErP-Data:

(EU) Nr. 327/2011	(Lot11)
q_v	8410 m³/h
p_{fs}	215 Pa
η_{fs}	42,6 %
P_{ed}	1,28 kW
n	1400 r/min
N	48
v	9,50 m/s

Operating Point:

q_v	0	m³/h
p_{fs}	0	Pa
p_{fd}	0	Pa
$\eta_{ed,fs}$	0	%
$\eta_{ed,tot}$	0	%
P_{ed}	0	kW
I	0	A
n	0	r/min
$L_{wA_{A,IN}}$	0	dB(A)
U_c	0	V

SFP	0	Ws/m³
FEI	0,0	
$t_{R,OP}$	60	°C

Intersections:

Curve	q_v [m³/h]	p_{fs} [Pa]	P_{ed} [kW]	I [A]	n_N [r/min]	$L_{wA_{A,IN}}$ [dB(A)]
10 V	942,2	408	1,202	1,99	1254	80
9 V	944,6	410	1,21	2	1253	79
8 V	870,8	349	0,952	1,64	1159	79
7 V	760,3	266	0,624	1,18	1007	76
6 V	651,8	196	0,403	0,87	860	72
4 V	418,5	81	0,125	0,42	560	63

Nominal Data:

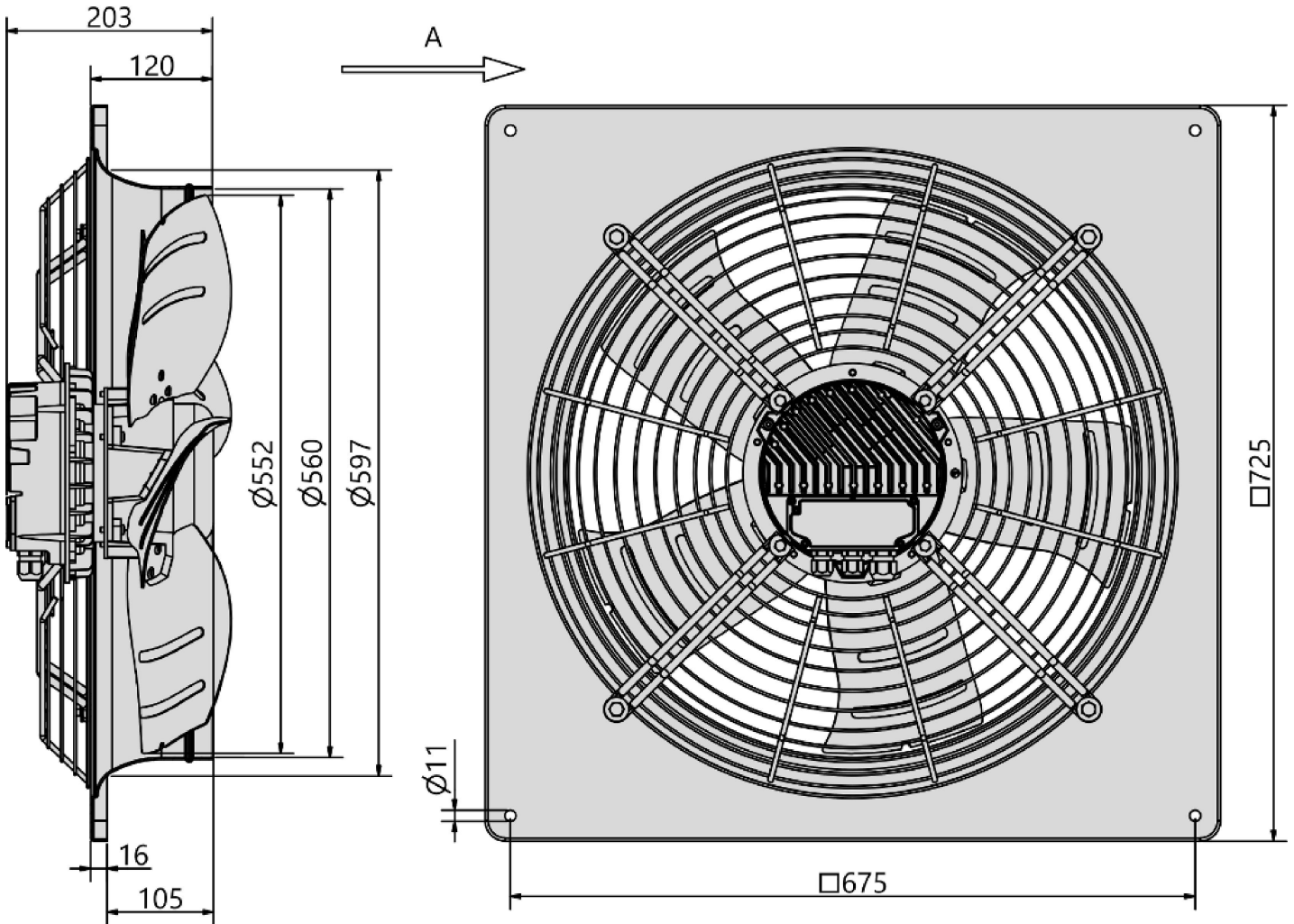
U [V]	f [Hz]	Data @ [V]	P_{ed} [kW]	I_N [A]	n_N [r/min]	t_R [°C]	k_{10} [m²/s/h]	Eff.-Rating	IP	m [kg]
3~380-480	50/60	400	1,28	2,1	1400	-25 .. +60	-	IE5	IP 54	22,5
		460		1,9						

Sound Data:

Frequency	Σ	125Hz	250Hz	500Hz	1kHz	2kHz	4kHz	8kHz	Distances	1 m	4 m
$L_{wA(A,in)}$ [dB(A)]	-	-17	-13	-9	-7	-6	-6	-10	$L_p(A,in)$ [dB(A)]	-7	-17

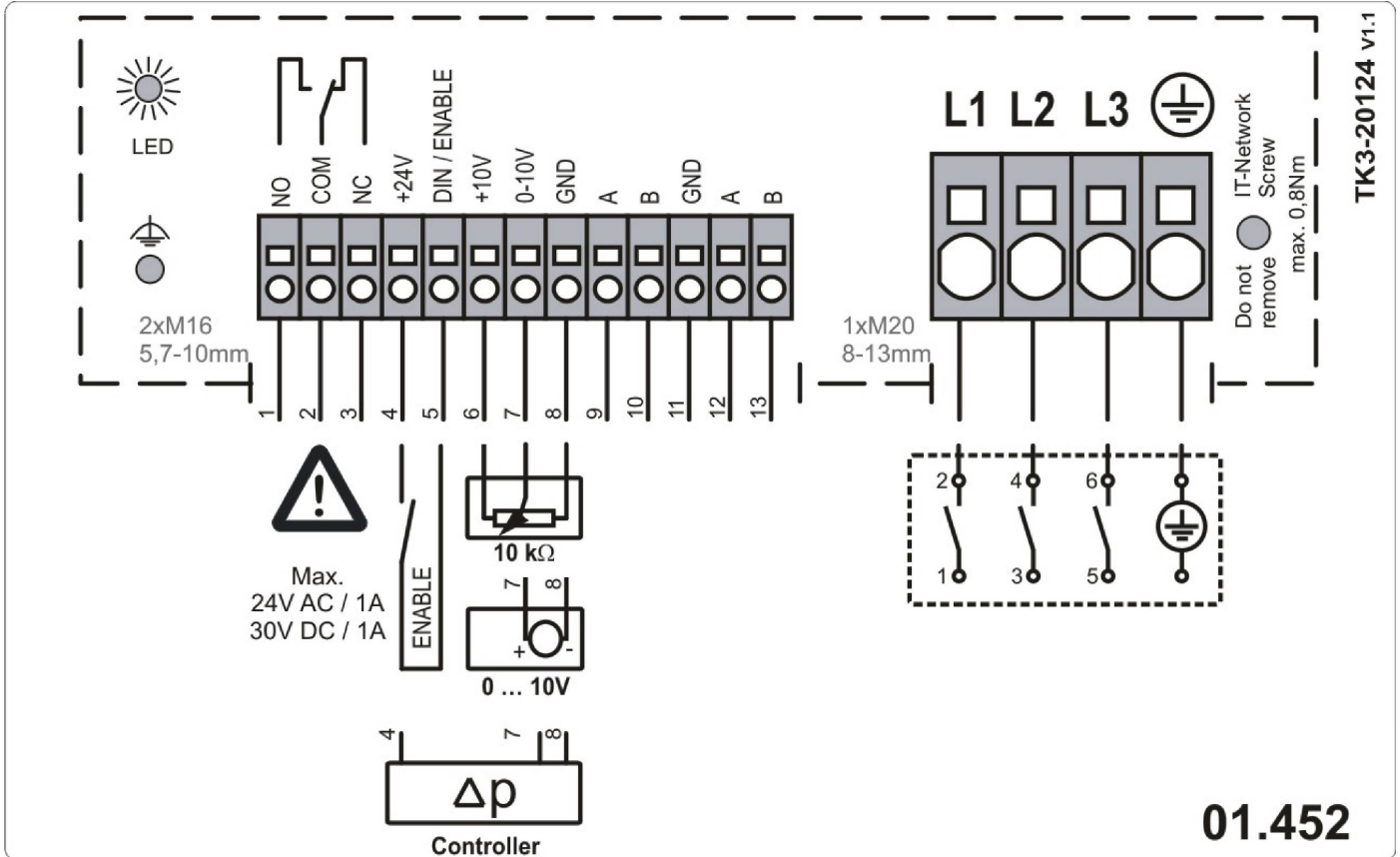


Type: **GQ 560 K.5HF KK Gen3**
 Direction of airflow A (=AKSG 560 K.5HF A5)
 Part no.: E02-56003





Type: **GQ 560 K.5HF KK Gen3**
 Direction of airflow A (=AKSG 560 K.5HF A5)
 Part no.: E02-56003



Axial fan

with square wall plate

Casing made from galvanized and plastic-coated steel, series plate mounted. Mounting either with horizontal or vertical motor shaft. Sickle-shaped Blade made from aluminum or coated steel sheet metal. Energy saving EC external - rotor motor of the 3rd generation. Exceeds in accordance with IEC 60034 -30-2 minimum requirements for IE5 (Ultra Premium Efficiency). Maintenance free ball bearings, closed on both sides with long-term lubrication. Magnets without rare earth elements. Motor made of die casted aluminum. Protection Class IP54 and insulation class F. Electronic with integrated terminal box and environmental resistant cable glands (2x M16 and 1x M20). Status LED integrated. 100% speed controllable with integrated Motor Protection and Soft Start. ModBus RTU Interface integrated. Busconfiguration possible on site by customer. Potential-free Alarm Contact and integrated 24V Supply for accessories. Applicable in all common energy grids and IT-Network. Low noise commutation. Motorized Impeller statically and dynamically balanced according to DIN ISO 21940-11 at least with quality level G6.3. The electrical connection is mounted on the housing by a terminal box. Air volume control is possible over an 0-10V Signal (accessory).

Fan complies with the guidelines required (Machinery -, EMC- and Low Voltage Directive) to comply with installation and conformity declaration as well as CE marking.

Operating Point Data:

Airflow
0 m³/h
ext. Pressure
0 Pa
Input power
0 kW
Current
0 A
Speed
0 r/min
Sound power level
0 Lw(A)
Medium temperature
60 °C

Nominal Data:

Voltage
3~380-480 V
Frequency
50/60 Hz
Input power
1,28 kW
Current
2,1 / 1,9 A
Speed
1400 r/min
Medium temperature
60 °C
Protection Mode
IP 54
Efficiency Class
IE5

Weight

22,5 kg

Dimensions

725 mm / 725 mm / 203 mm

Contact:

Rosenberg Ventilatoren BV

Elandlaan 8

NL - 3734 CP Den Dolder

<http://www.rosenberg.nl>

Type:

GQ 560 K.5HF KK Gen3

Article-No.:

E02-56003