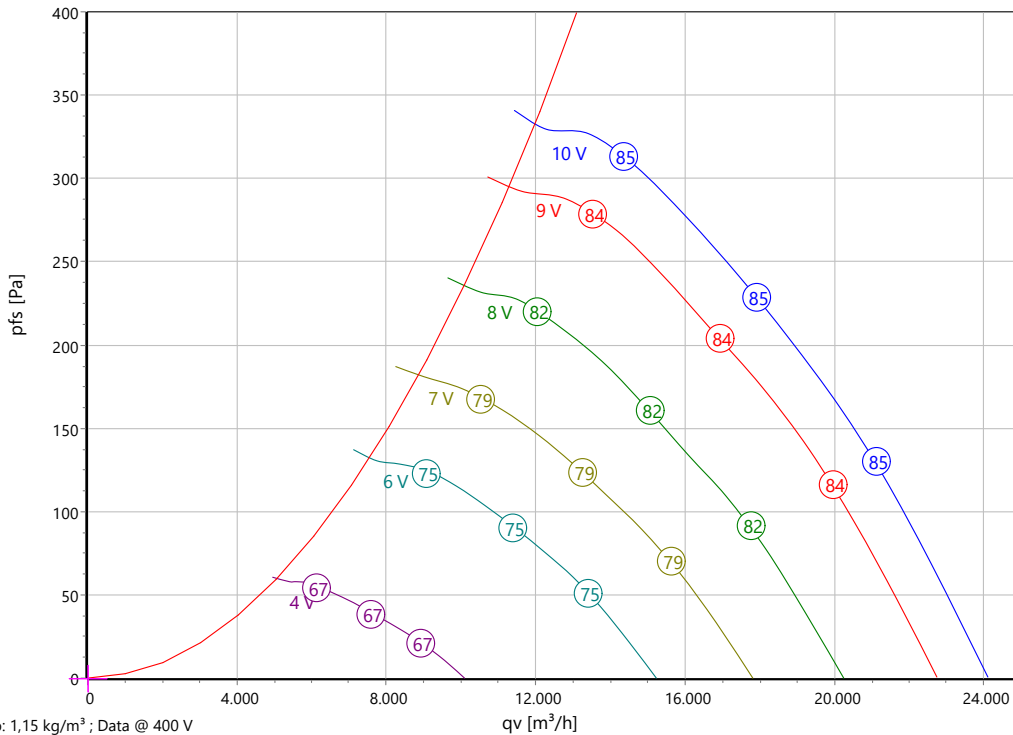




Type: **GQ 710 K.6IF KK Gen3**
Direction of airflow A (=AKFG 710 K.6IF A5)
Part no.: E02-71001



Curve:



ErP-Data:

(EU) Nr. 327/2011	(Lot11)
q _v	14949 m ³ /h
p _{fs}	301 Pa
η _{fs}	43 %
P _{ed}	3,07 kW
n	1330 r/min
N	46
v	10,5 m/s

Operating Point:

q _v	0	m ³ /h
p _{fs}	0	Pa
p _{fd}	0	Pa
η _{ed,fs}	0	%
η _{ed,tot}	0	%
P _{ed}	0	kW
I	0	A
n	0	r/min
L _{WA A,IN}	0	dB(A)
U _c	0	V

SFP	0	Ws/m ³
FEI	0,0	
t _{R, OP}	60	°C

Intersections:

Curve	q _v [m ³ /h]	p _{fs} [Pa]	P _{ed} [kW]	I [A]	n _N [r/min]	L _{WA A,IN} [dB(A)]
10 V	1026	483	2,816	4,35	1107	84
9 V	951,1	416	2,224	3,47	1024	82
8 V	955,8	420	2,244	3,5	1028	82
7 V	912,6	383	1,954	3,07	980	82
6 V	786,2	284	1,244	2,04	841	78
4 V	523,8	126	0,39	0,87	564	70

Nominal Data:

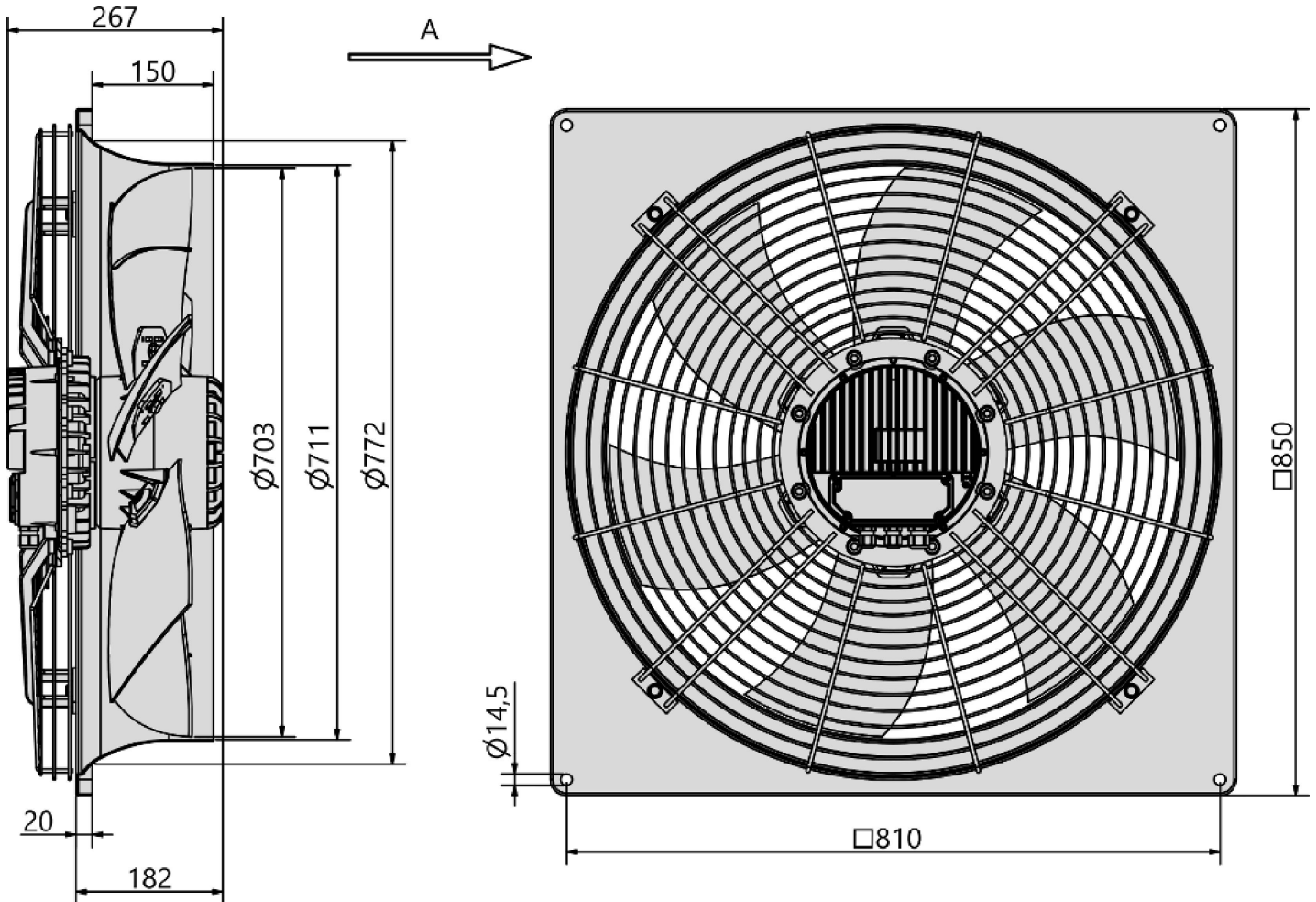
U [V]	f [Hz]	Data @ [V]	P _{ed} [kW]	I _N [A]	n _N [r/min]	t _R [°C]	k ₁₀ [m ² /h]	Eff.-Rating	IP	m [kg]
3~380-480	50/60	400	3,24	5	1330	-25 .. +60	-	IE5	IP 54	38
		460		4,45						

Sound Data:

Frequency	Σ	63Hz	125Hz	250Hz	500Hz	1kHz	2kHz	4kHz	8kHz	Distances	1 m	4 m
L _{WA(A,in)} [dB(A)]		-30	-20	-13	-7	-5	-5	-10	-20	L _{pA(A,in)} [dB(A)]	-7	-17
L _{WA(A,out)} [dB(A)]	2	-27	-10	-6	-5	-4	-5	-7	-21	L _{pA(A,out)} [dB(A)]	-5	-15

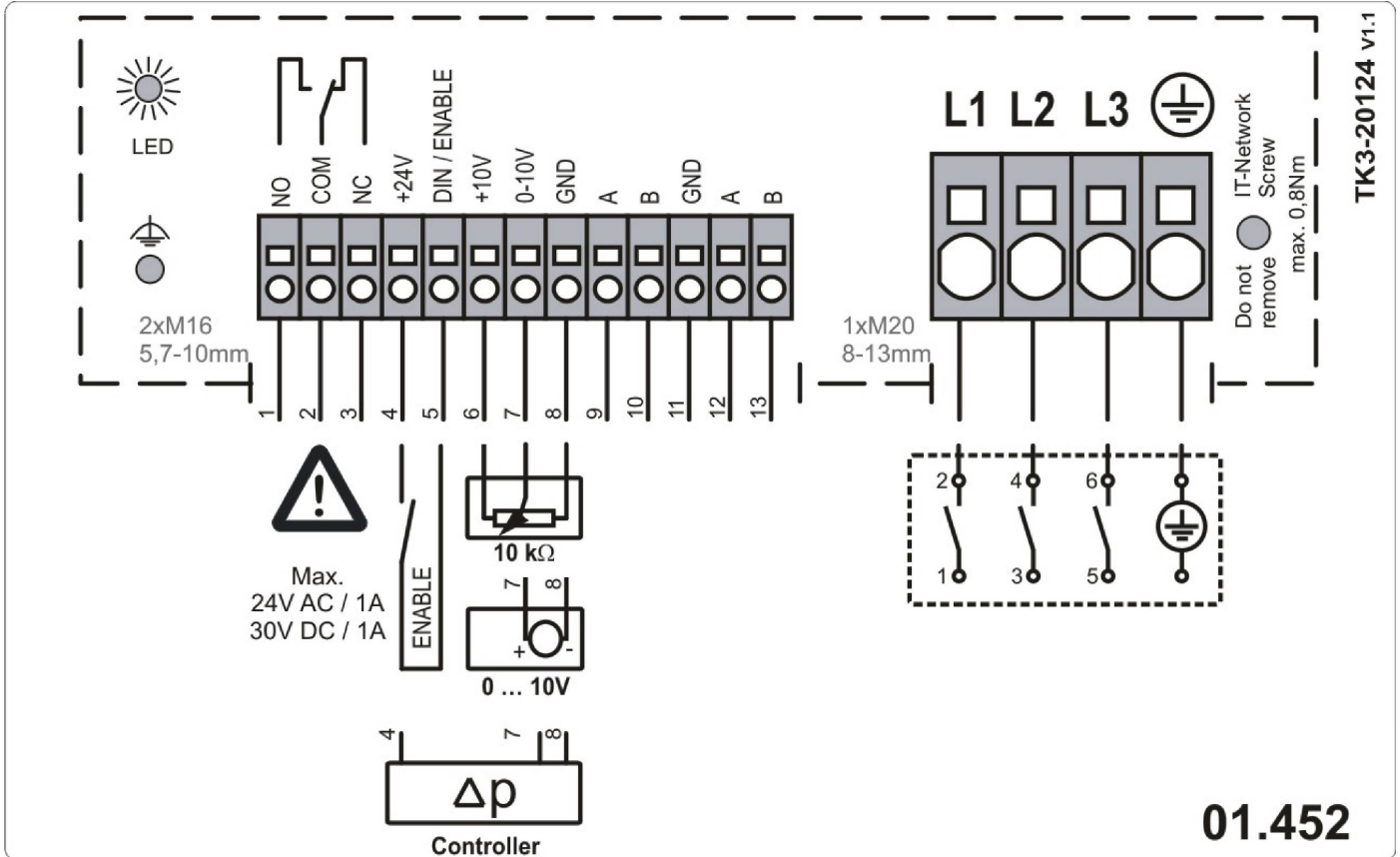


Type: **GQ 710 K.6IF KK Gen3**
 Direction of airflow A (=AKFG 710 K.6IF A5)
 Part no.: E02-71001





Type: **GQ 710 K.6IF KK Gen3**
 Direction of airflow A (=AKFG 710 K.6IF A5)
 Part no.: E02-71001



01.452

Axial fan

with square wall plate

Casing made from galvanized and plastic -coated steel, series plate mounted. Mounting either with horizontal or vertical motor shaft. Blade made of aluminum (AlMg3). Sound and efficiency optimized through fluidic shaped blades. Energy saving EC external -rotor motor of the 3rd generation. Exceeds in accordance with IEC 60034 -30-2 minimum requirements for IE5 (Ultra Premium Efficiency). Maintenance free ball bearings, closed on both sides with long-term lubrication. Magnets without rare earth elements. Motor made of die casted aluminum. Protection Class IP54 and insulation class F. Electronic with integrated terminal box and environmental resistant cable glands (2x M16 and 1x M20). Status LED integrated. 100% speed controllable with integrated Motor Protection and Soft Start. ModBus RTU Interface integrated. Busconfiguration possible on site by customer. Potential -free Alarm Contact and integrated 24V Supply for accessories. Applicable in all common energy grids and IT -Network. Low noise commutation. Motorized Impeller statically and dynamically balanced according to DIN ISO 21940 -11 at least with quality level G6.3. The electrical connection is mounted on the housing by a terminal box. Air volume control is possible over an 0 -10V Signal (accessory).

Fan complies with the guidelines required (Machinery -, EMC- and Low Voltage Directive) to comply with installation and conformity declaration as well as CE marking.

Operating Point Data:

Airflow

0 m³/h

ext. Pressure

0 Pa

Input power

0 kW

Current

0 A

Speed

0 r/min

Sound power level

0 Lw(A)

Medium temperature

60 °C

Nominal Data:

Voltage

3~380-480 V

Frequency

50/60 Hz

Input power

3,24 kW

Current

5 / 4,45 A

Speed

1330 r/min

Medium temperature

60 °C

Protection Mode

IP 54

Efficiency Class

IE5

Weight

38 kg

Dimensions

850 mm / 850 mm / 267 mm

Contact:

Rosenberg Ventilatoren BV

Elandlaan 8

NL - 3734 CP Den Dolder

<http://www.rosenberg.nl>

Type:

GQ 710 K.6IF KK Gen3

Article-No.:

E02-71001