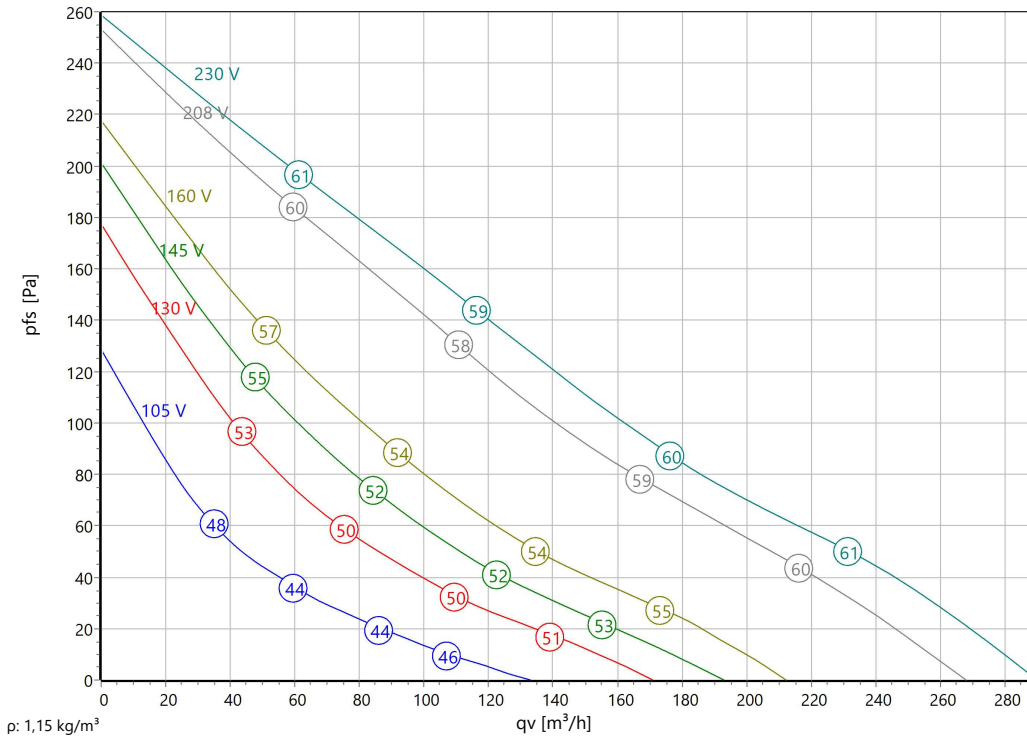


Type: **RS 100 L.2CA**
Part no.: F00-10063



Curve:



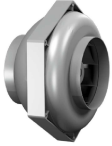
p: 1,15 kg/m³

Nominal Data:

U [V]	f [Hz]	C [µF]	Pe [kW]	IN [A]	nN [r/min]	tR [°C]	k10 [m²s/h]	IA / IN	IP	m [kg]
1-230	50	1	0,029	0,13	2125	-25 .. +70	-	1,2	IP 44	2

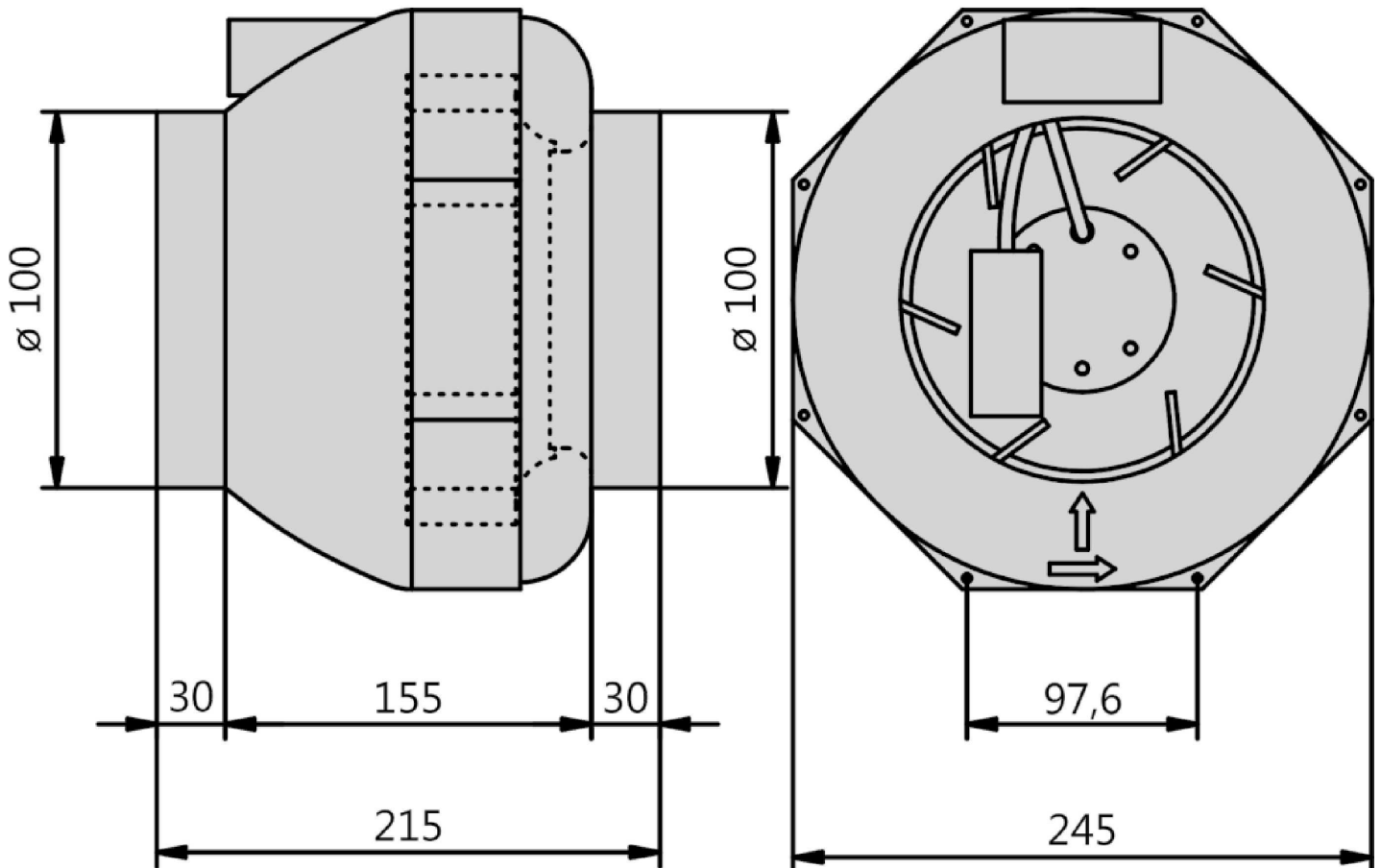
Sound Data:

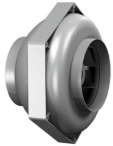
Frequency	Σ	125Hz	250Hz	500Hz	1kHz	2kHz	4kHz	8kHz	Distances	1 m	5 m
LwA(D,in) [dB(A)]	2	-17	-6	-3	-4	-6	-9	-19	LpA(D,in) [dB(A)]	-5	-16
LwA(D,out) [dB(A)]		-18	-7	-6	-6	-7	-11	-20	LpA(D,out) [dB(A)]	-7	-18
LwA(D,cas) [dB(A)]	-9	-28	-18	-16	-13	-16	-22	-33	LpA(D,cas) [dB(A)]	-16	-27



Type: **RS 100 L.2CA**

Part no.: F00-10063





Type: **RS 100 L.2CA**
 Part no.: F00-10063

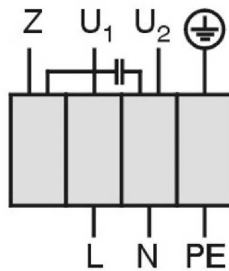


TK3-20005

Einphasenwechselstrommotor mit Betriebskondensator und Thermostatschalter.
 Thermostatschalter intern mit der Wicklung in Reihe geschaltet.

**Single phase A.C. motor with operating capacitor and thermostatic switch.
 Thermostatic switch internal wired in series with windings.**

***Moteur monophasé avec condensateur permanent et interrupteur
 thermostatique en série avec le bobinage en cas de branchement***



U₁ blau / blue / bleu
 U₂ schwarz / black / noir
 Z braun / brown / brun
 PE gelb-grün
 yellow-green
 jaun-vert

01.009

Tube fan

with casing made of plastic

The casing is made from shock-proof, recyclable plastic (PA 6.6 + GF) with integrated terminal box and the possibility to mount a bracket. Inlet and outlet side with duct connection for standard round ducts. Mounting either with horizontal or vertical motor shaft. Impeller made of Polypropylene (PP) UL94 V-0 with backward curved blades. Direct-driven single-phase alternating current motor and three-phase motor with class F insulation system. For single-phase motors, motor protection is provided by thermal contacts built into the winding and connected in series. Three-phase motors have no internal protection system and must be connected to an external protection system. When using an electronic voltage control unit or a frequency converter, a sine filter must be used. Maintenance-free ball bearings, closed on both sides, with long-term lubrication. Motorized Impeller statically and dynamically balanced according to DIN ISO 21940-11 with quality level G2.5. Air volume control: possible by the use of an electronic speed controller or a step transformer (accessory).

Fan complies with the guidelines required (Machinery-, EMC- and Low Voltage Directive) to comply with installation and conformity declaration as well as CE marking.

Nominal Data:

Voltage

1-230 V

Frequency

50 Hz

Input power

0,029 kW

Current

0,13 A

Speed

2125 r/min

Medium temperature

70 °C

Protection Mode

IP 44

Weight

2 kg

Dimensions

220 mm / 245 mm / 245 mm

Contact:

Rosenberg Ventilatoren BV

Elandlaan 8

NL - 3734 CP Den Dolder

www.rosenberg.nl

Type:

RS 100 L.2CA

Article-No.:

F00-10063