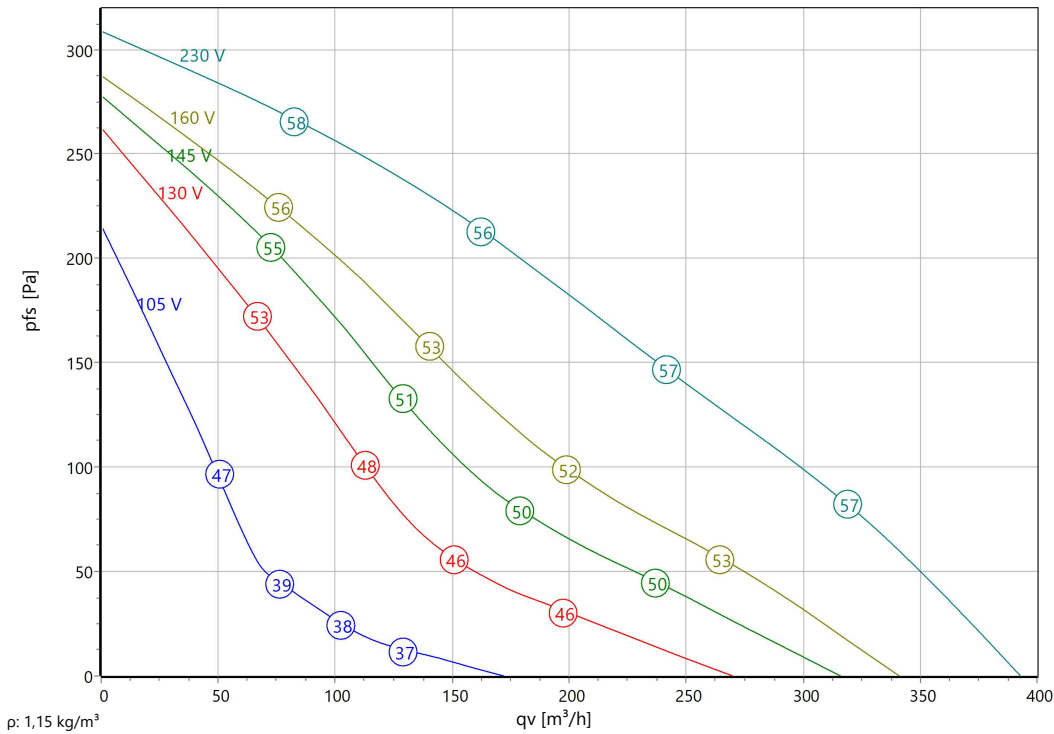


Type: **RS 125 L.3CA**

Part no.: F00-12556



Curve:



ErP-Data:

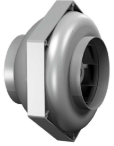
| (EU) Nr. 1253/2014 | (Lot6) | |
|--------------------|--------|-------|
| qV | 175 | m³/h |
| pfs | 213 | Pa |
| ηfs | 26,5 | % |
| Pe | 0,039 | kW |
| n | 2676 | r/min |
| N | 47 | |
| v | 4,38 | m/s |

Nominal Data:

| U [V] | f [Hz] | C [μF] | Pe [kW] | IN [A] | nN [r/min] | tR [°C] | k10 [m²s/h] | IA / IN | IP | m [kg] |
|-------|--------|--------|---------|--------|------------|------------|-------------|---------|-------|--------|
| 1~230 | 50 | 1,5 | 0,042 | 0,19 | 2635 | -25 .. +70 | - | 1,2 | IP 44 | 2,5 |

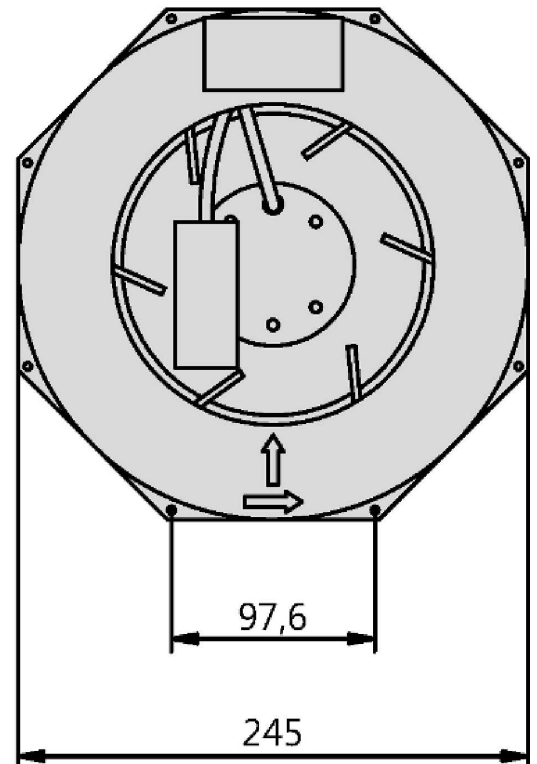
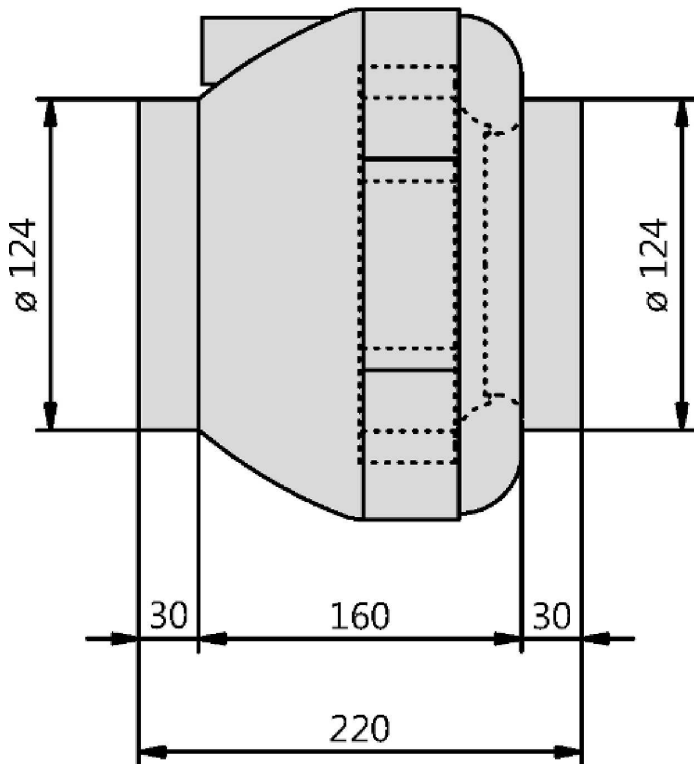
Sound Data:

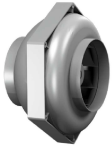
| Frequency | Σ | 63Hz | 125Hz | 250Hz | 500Hz | 1kHz | 2kHz | 4kHz | 8kHz | Distances | 1 m | 5 m |
|--------------------|-----|------|-------|-------|-------|------|------|------|------|--------------------|-----|-----|
| LwA(D,in) [dB(A)] | 3 | -33 | -20 | -10 | -4 | -3 | -2 | -5 | -13 | LpA(D,in) [dB(A)] | -4 | -15 |
| LwA(D,out) [dB(A)] | | -36 | -20 | -11 | -7 | -6 | -6 | -7 | -18 | LpA(D,out) [dB(A)] | -7 | -18 |
| LwA(D,cas) [dB(A)] | -13 | -39 | -27 | -26 | -23 | -17 | -18 | -24 | -33 | LpA(D,cas) [dB(A)] | -20 | -31 |



Type: **RS 125 L.3CA**

Part no.: F00-12556





Type: **RS 125 L.3CA**
 Part no.: F00-12556

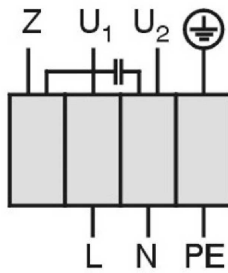


TK3-20005

Einphasenwechselstrommotor mit Betriebskondensator und Thermostatschalter.
 Thermostatschalter intern mit der Wicklung in Reihe geschaltet.

**Single phase A.C. motor with operating capacitor and thermostatic switch.
 Thermostatic switch internal wired in series with windings.**

***Moteur monophasé avec condensateur permanent et interrupteur
 thermostatique en série avec le bobinage en cas de branchement***



U₁ blau / blue / bleu
 U₂ schwarz / black / noir
 Z braun / brown / brun
 PE gelb-grün
 yellow-green
 jaun-vert

01.009

Tube fan

with casing made of plastic

The casing is made from shock-proof, recyclable plastic (PA 6.6 + GF) with integrated terminal box and the possibility to mount a bracket. Inlet and outlet side with duct connection for standard round ducts. Mounting either with horizontal or vertical motor shaft. Impeller made of Polypropylene (PP) UL94 V-0 with backward curved blades. Direct-driven single-phase alternating current motor and three-phase motor with class F insulation system. For single-phase motors, motor protection is provided by thermal contacts built into the winding and connected in series. Three-phase motors have no internal protection system and must be connected to an external protection system. When using an electronic voltage control unit or a frequency converter, a sine filter must be used. Maintenance-free ball bearings, closed on both sides, with long-term lubrication. Motorized Impeller statically and dynamically balanced according to DIN ISO 21940-11 with quality level G2.5. Air volume control: possible by the use of an electronic speed controller or a step transformer (accessory).

Fan complies with the guidelines required (Machinery-, EMC- and Low Voltage Directive) to comply with installation and conformity declaration as well as CE marking.

Nominal Data:

Voltage

1~230 V

Frequency

50 Hz

Input power

0,042 kW

Current

0,19 A

Speed

2635 r/min

Medium temperature

70 °C

Protection Mode

IP 44

Weight

2,5 kg

Dimensions

220 mm / 245 mm / 245 mm

Contact:

Rosenberg Ventilatoren BV

Elandlaan 8

NL - 3734 CP Den Dolder

www.rosenberg.nl

Type:

RS 125 L.3CA

Article-No.:

F00-12556