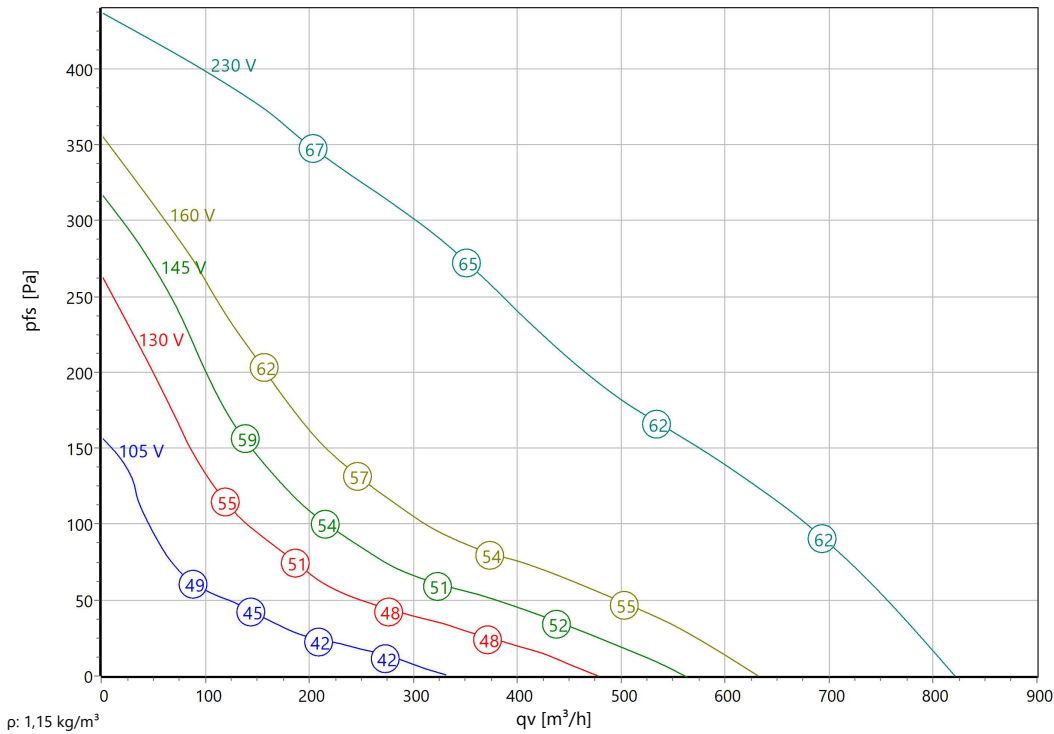


Type: **RS 160 L.3CA**
Part no.: F00-16062



Curve:



ErP-Data:

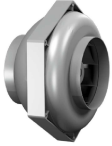
(EU) Nr. 1253/2014	(Lot6)	
qV	365	m³/h
pfs	264	Pa
ηfs	28,6	%
Pe	0,094	kW
n	2408	r/min
N	43	
v	5,04	m/s

Nominal Data:

U [V]	f [Hz]	C [μF]	Pe [kW]	IN [A]	nN [r/min]	tR [°C]	k10 [m²s/h]	IA / IN	IP	m [kg]
1~230	50	2	0,095	0,41	2410	-25 .. +70	-	1,2	IP 44	3,5

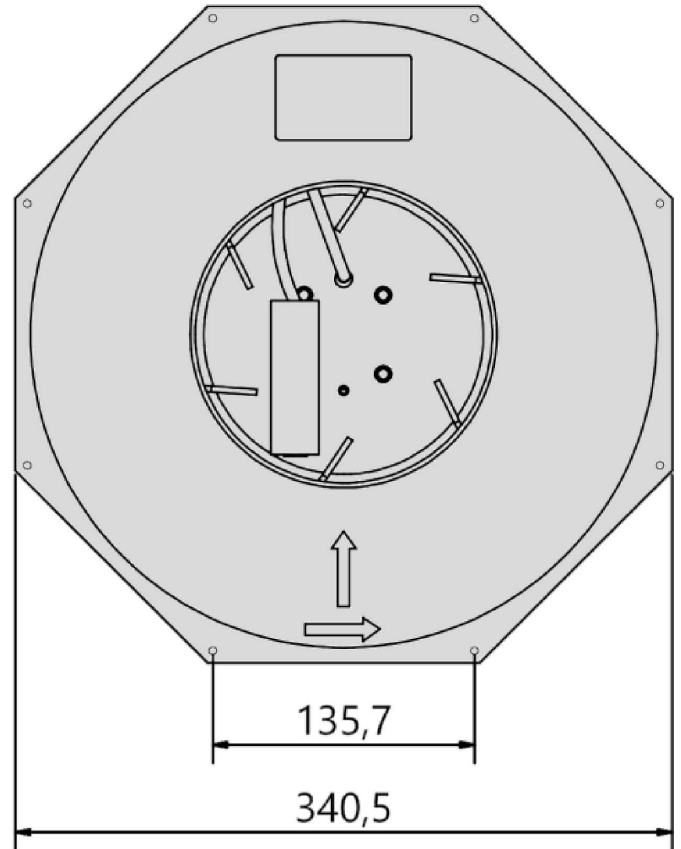
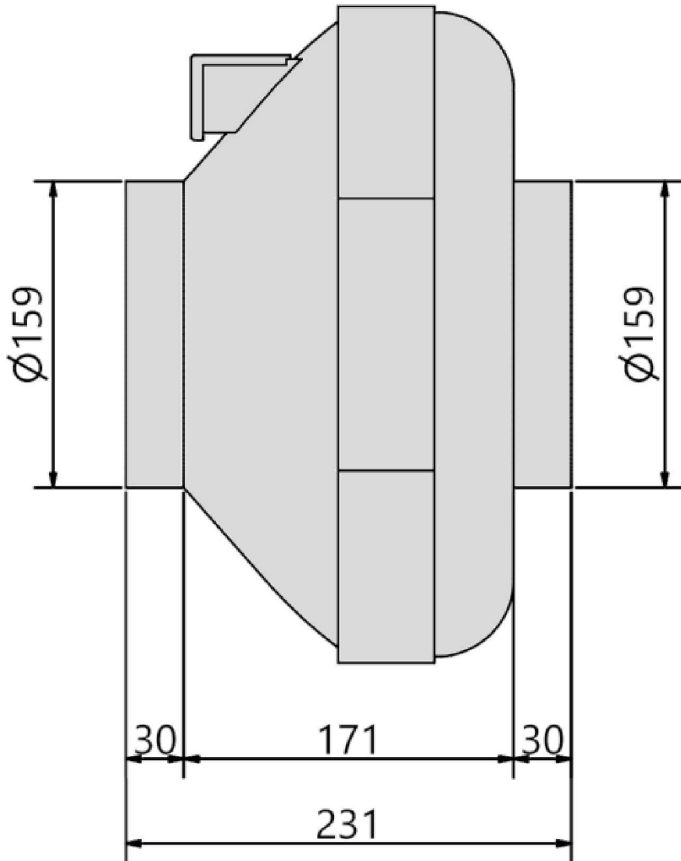
Sound Data:

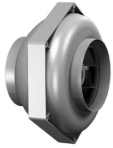
Frequency	Σ	63Hz	125Hz	250Hz	500Hz	1kHz	2kHz	4kHz	8kHz	Distances	1 m	5 m
LwA(D,in) [dB(A)]	1	-43	-23	-10	-6	-4	-5	-8	-16	LpA(D,in) [dB(A)]	-6	-17
LwA(D,out) [dB(A)]		-41	-20	-9	-7	-6	-6	-9	-15	LpA(D,out) [dB(A)]	-7	-18
LwA(D,cas) [dB(A)]	-14	-47	-27	-26	-20	-19	-20	-26	-34	LpA(D,cas) [dB(A)]	-21	-32



Type: **RS 160 L.3CA**

Part no.: F00-16062





Type: **RS 160 L.3CA**
 Part no.: F00-16062

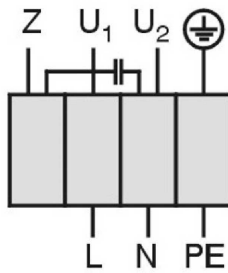


Einphasenwechselstrommotor mit Betriebskondensator und Thermostatschalter.
 Thermostatschalter intern mit der Wicklung in Reihe geschaltet.

**Single phase A.C. motor with operating capacitor and thermostatic switch.
 Thermostatic switch internal wired in series with windings.**

**Moteur monophasé avec condensateur permanent et interrupteur
 thermostatique en série avec le bobinage en cas de branchement**

TK3-20005



U₁ blau / blue / bleu
 U₂ schwarz / black / noir
 Z braun / brown / brun
 PE gelb-grün
 yellow-green
 jaun-vert

01.009

Tube fan

with casing made of plastic

The casing is made from shock-proof, recyclable plastic (PA 6.6 + GF) with integrated terminal box and the possibility to mount a bracket. Inlet and outlet side with duct connection for standard round ducts. Mounting either with horizontal or vertical motor shaft. Impeller made of Polypropylene (PP) UL94 V-0 with backward curved blades. Direct-driven single-phase alternating current motor and three-phase motor with class F insulation system. For single-phase motors, motor protection is provided by thermal contacts built into the winding and connected in series. Three-phase motors have no internal protection system and must be connected to an external protection system. When using an electronic voltage control unit or a frequency converter, a sine filter must be used. Maintenance-free ball bearings, closed on both sides, with long-term lubrication. Motorized Impeller statically and dynamically balanced according to DIN ISO 21940-11 with quality level G2.5. Air volume control: possible by the use of an electronic speed controller or a step transformer (accessory).

Fan complies with the guidelines required (Machinery-, EMC- and Low Voltage Directive) to comply with installation and conformity declaration as well as CE marking.

Nominal Data:

Voltage

1~230 V

Frequency

50 Hz

Input power

0,095 kW

Current

0,41 A

Speed

2410 r/min

Medium temperature

70 °C

Protection Mode

IP 44

Weight

3,5 kg

Dimensions

231 mm / 341 mm / 341 mm

Contact:

Rosenberg Ventilatoren BV

Elandlaan 8

NL - 3734 CP Den Dolder

www.rosenberg.nl

Type:

RS 160 L.3CA

Article-No.:

F00-16062