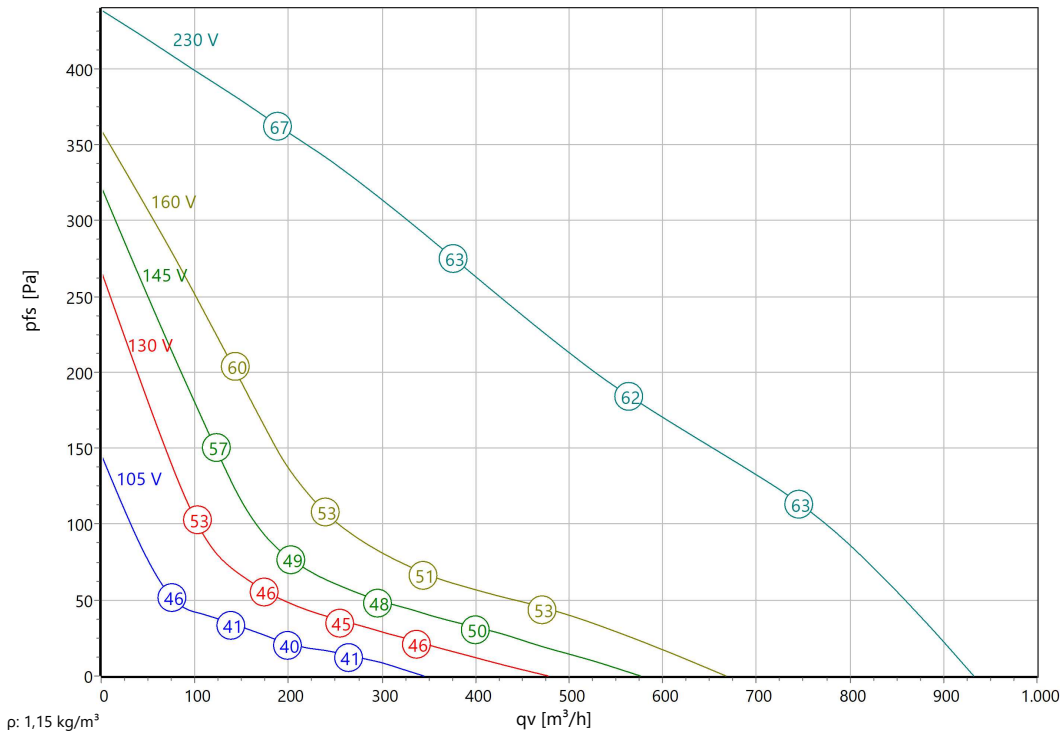


Type: **RS 200.3CF**
Part no.: F00-20053



Curve:



ErP-Data:

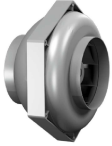
(EU) Nr. 1253/2014	(Lot6)
qV	431 m³/h
pfs	259 Pa
ηfs	31 %
Pe	0,1 kW
n	2343 r/min
N	45
v	4,04 m/s

Nominal Data:

U [V]	f [Hz]	C [μF]	Pe [kW]	IN [A]	nN [r/min]	tR [°C]	k10 [m²s/h]	IA / IN	IP	m [kg]
1~230	50	2	0,102	0,45	2297	-25 .. +70	-	1,2	IP 44	3,8

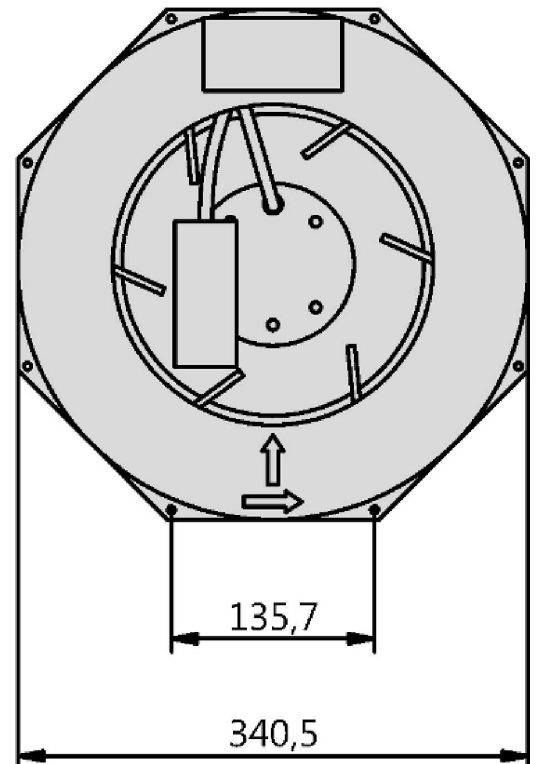
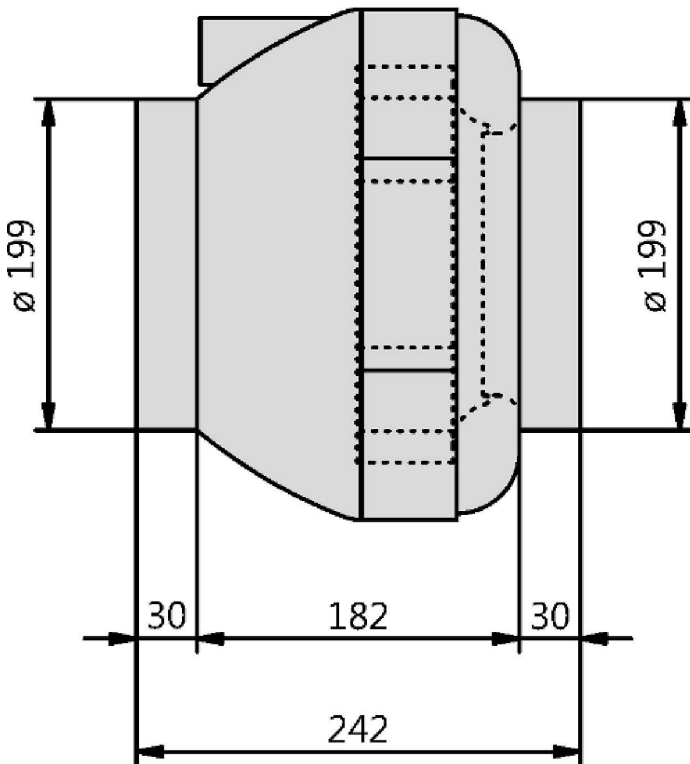
Sound Data:

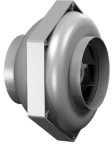
Frequency	Σ	63Hz	125Hz	250Hz	500Hz	1kHz	2kHz	4kHz	8kHz	Distances	1 m	5 m
LwA(D,in) [dB(A)]	2	-34	-16	-6	-5	-4	-4	-8	-15	LpA(D,in) [dB(A)]	-5	-16
LwA(D,out) [dB(A)]		-37	-16	-7	-7	-7	-6	-10	-15	LpA(D,out) [dB(A)]	-7	-18
LwA(D,cas) [dB(A)]	-15	-43	-25	-25	-20	-21	-22	-30	-37	LpA(D,cas) [dB(A)]	-22	-33



Type: **RS 200.3CF**

Part no.: F00-20053





Type: **RS 200.3CF**
 Part no.: F00-20053

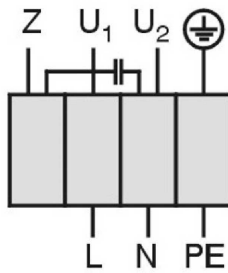


TK3-20005

Einphasenwechselstrommotor mit Betriebskondensator und Thermostatschalter.
 Thermostatschalter intern mit der Wicklung in Reihe geschaltet.

**Single phase A.C. motor with operating capacitor and thermostatic switch.
 Thermostatic switch internal wired in series with windings.**

***Moteur monophasé avec condensateur permanent et interrupteur
 thermostatique en série avec le bobinage en cas de branchement***



U₁ blau / blue / bleu
 U₂ schwarz / black / noir
 Z braun / brown / brun
 PE gelb-grün
 yellow-green
 jaun-vert

01.009

Tube fan

with casing made of plastic

The casing is made from shock-proof, recyclable plastic (PA 6.6 + GF) with integrated terminal box and the possibility to mount a bracket. Inlet and outlet side with duct connection for standard round ducts. Mounting either with horizontal or vertical motor shaft. Impeller made of Polypropylene (PP) UL94 V-0 with backward curved blades. Direct-driven single-phase alternating current motor and three-phase motor with class F insulation system. For single-phase motors, motor protection is provided by thermal contacts built into the winding and connected in series. Three-phase motors have no internal protection system and must be connected to an external protection system. When using an electronic voltage control unit or a frequency converter, a sine filter must be used. Maintenance-free ball bearings, closed on both sides, with long-term lubrication. Motorized Impeller statically and dynamically balanced according to DIN ISO 21940-11 with quality level G2.5. Air volume control: possible by the use of an electronic speed controller or a step transformer (accessory).

Fan complies with the guidelines required (Machinery-, EMC- and Low Voltage Directive) to comply with installation and conformity declaration as well as CE marking.

Nominal Data:

Voltage

1~230 V

Frequency

50 Hz

Input power

0,102 kW

Current

0,45 A

Speed

2297 r/min

Medium temperature

70 °C

Protection Mode

IP 44

Weight

3,8 kg

Dimensions

230 mm / 341 mm / 341 mm

Contact:

Rosenberg Ventilatoren BV

Elandlaan 8

NL - 3734 CP Den Dolder

www.rosenberg.nl

Type:

RS 200.3CF

Article-No.:

F00-20053