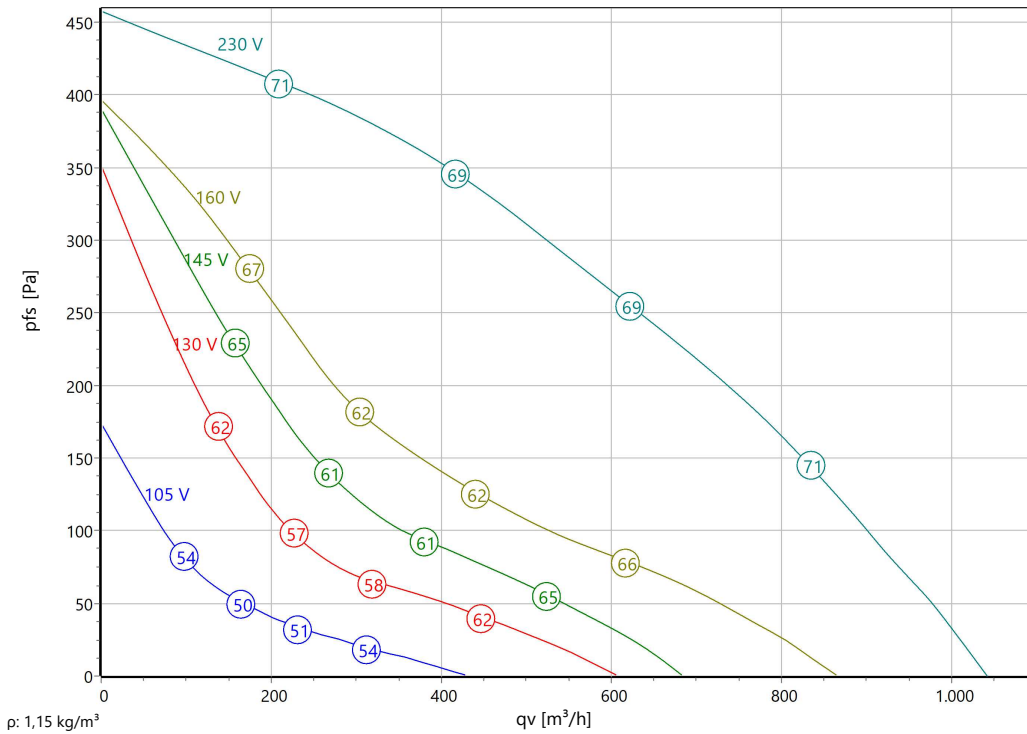


Type: **RS 250 L.3DF**  
Part no.: F00-25061



**Curve:**



**ErP-Data:**

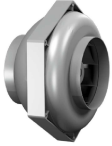
(EU) Nr. 1253/2014	(Lot6)	
qV	567	m³/h
pfs	292	Pa
ηfs	36,1	%
Pe	0,13	kW
n	2469	r/min
N	49	
v	3,21	m/s

**Nominal Data:**

U [V]	f [Hz]	C [μF]	Pe [kW]	IN [A]	nN [r/min]	tR [°C]	k10 [m²s/h]	IA / IN	IP	m [kg]
1~230	50	4	0,13	0,56	2470	-25 .. +70	-	1,8	IP 44	4,6

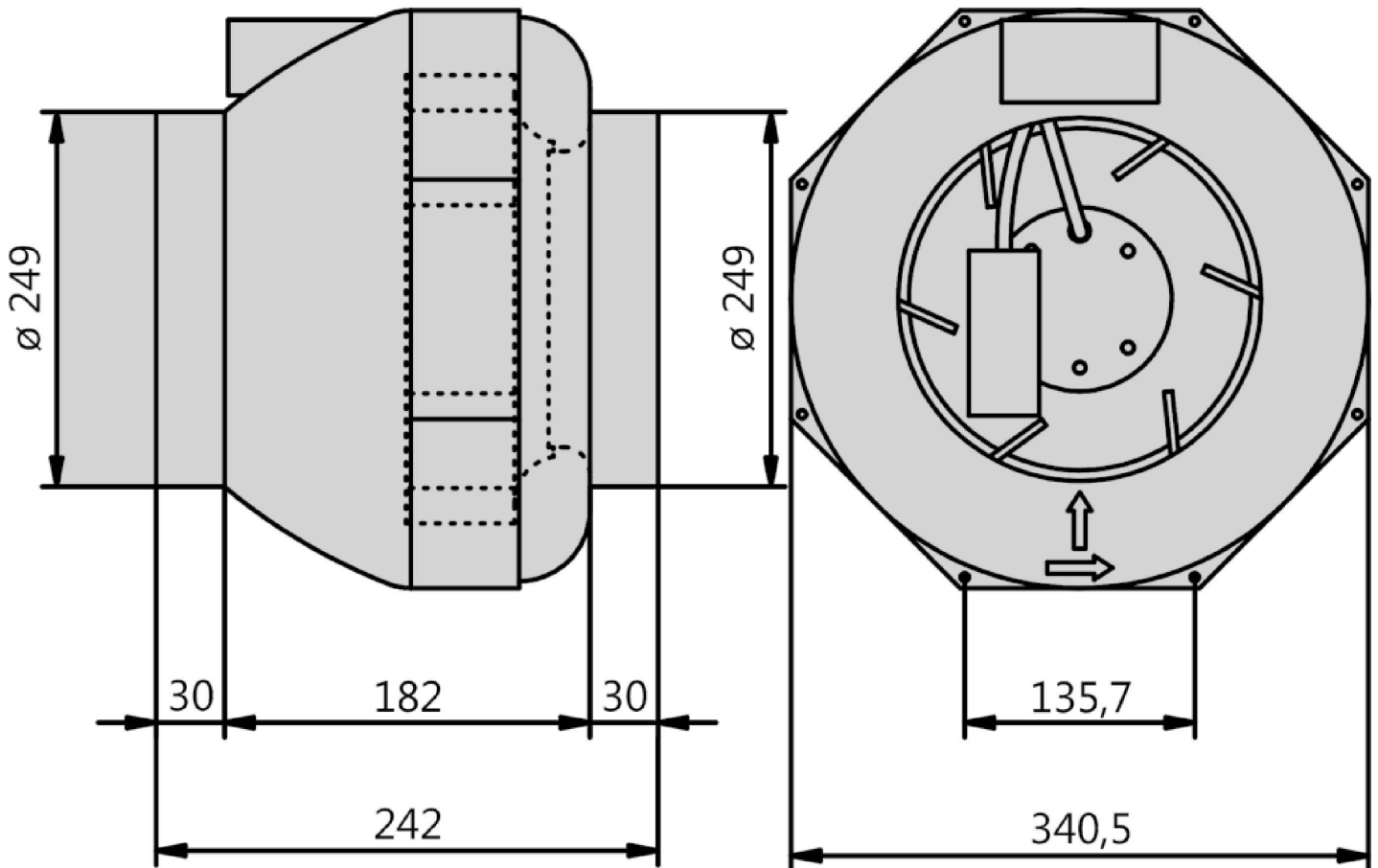
**Sound Data:**

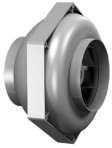
Frequency	Σ	63Hz	125Hz	250Hz	500Hz	1kHz	2kHz	4kHz	8kHz	Distances	1 m	5 m
LwA(D,in) [dB(A)]	2	-32	-18	-5	-4	-4	-5	-9	-18	LpA(D,in) [dB(A)]	-5	-16
LwA(D,out) [dB(A)]		-36	-19	-8	-6	-6	-6	-12	-18	LpA(D,out) [dB(A)]	-7	-18
LwA(D,cas) [dB(A)]	-14	-33	-29	-26	-18	-19	-24	-25	-37	LpA(D,cas) [dB(A)]	-21	-32



Type: **RS 250 L.3DF**

Part no.: F00-25061





Type: **RS 250 L.3DF**  
 Part no.: F00-25061

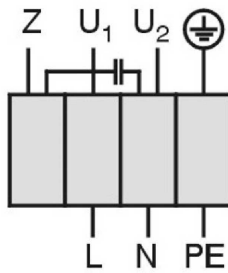


Einphasenwechselstrommotor mit Betriebskondensator und Thermostatschalter.  
 Thermostatschalter intern mit der Wicklung in Reihe geschaltet.

**Single phase A.C. motor with operating capacitor and thermostatic switch.  
 Thermostatic switch internal wired in series with windings.**

**Moteur monophasé avec condensateur permanent et interrupteur  
 thermostatique en série avec le bobinage en cas de branchement**

TK3-20005



U<sub>1</sub> blau / blue / bleu  
 U<sub>2</sub> schwarz / black / noir  
 Z braun / brown / brun  
 PE gelb-grün  
 yellow-green  
 jaun-vert

01.009

### Tube fan

with casing made of plastic

The casing is made from shock-proof, recyclable plastic (PA 6.6 + GF) with integrated terminal box and the possibility to mount a bracket. Inlet and outlet side with duct connection for standard round ducts. Mounting either with horizontal or vertical motor shaft. Impeller made of Polypropylene (PP) UL94 V-0 with backward curved blades. Direct-driven single-phase alternating current motor and three-phase motor with class F insulation system. For single-phase motors, motor protection is provided by thermal contacts built into the winding and connected in series. Three-phase motors have no internal protection system and must be connected to an external protection system. When using an electronic voltage control unit or a frequency converter, a sine filter must be used. Maintenance-free ball bearings, closed on both sides, with long-term lubrication. Motorized Impeller statically and dynamically balanced according to DIN ISO 21940-11 with quality level G2.5. Air volume control: possible by the use of an electronic speed controller or a step transformer (accessory).

Fan complies with the guidelines required (Machinery-, EMC- and Low Voltage Directive) to comply with installation and conformity declaration as well as CE marking.

### Nominal Data:

Voltage

1~230 V

Frequency

50 Hz

Input power

0,13 kW

Current

0,56 A

Speed

2470 r/min

Medium temperature

70 °C

Protection Mode

IP 44

Weight

4,6 kg

Dimensions

230 mm / 341 mm / 341 mm

### Contact:

Rosenberg Ventilatoren BV

Elandlaan 8

NL - 3734 CP Den Dolder

[www.rosenberg.nl](http://www.rosenberg.nl)

### Type:

RS 250 L.3DF

### Article-No.:

F00-25061