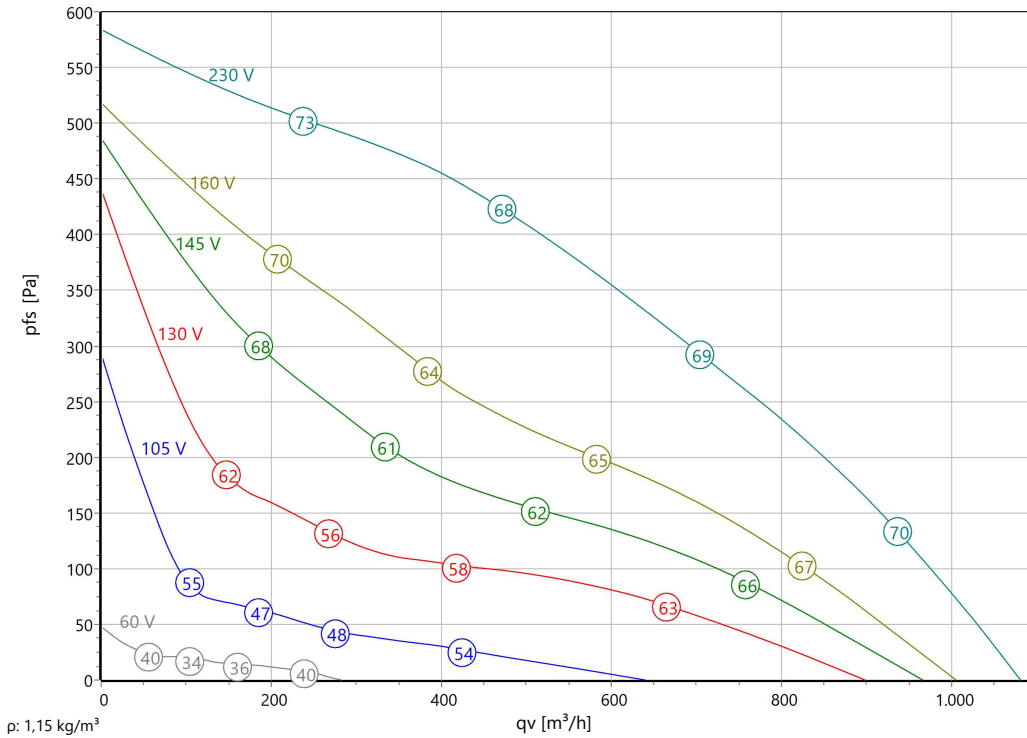


Type: **RS 315.3EF**  
Part no.: F00-31554



**Curve:**



**ErP-Data:**

	(EU) Nr. 1253/2014	(Lot6)
qV	622	m³/h
pfs	368	Pa
ηfs	37,9	%
Pe	0,17	kW
n	2691	r/min
N	49	
v	2,22	m/s
ηfs Lot11	43,7	%

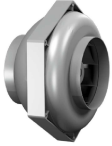
**Nominal Data:**

U [V]	f [Hz]	C [μF]	Pe [kW]	IN [A]	nN [r/min]	tR [°C]	k10 [m²s/h]	IA / IN	IP	m [kg]
1-230	50	4	0,17	0,75	2690	-25 .. +70	-	3	IP 44	-

ΔI 29 %

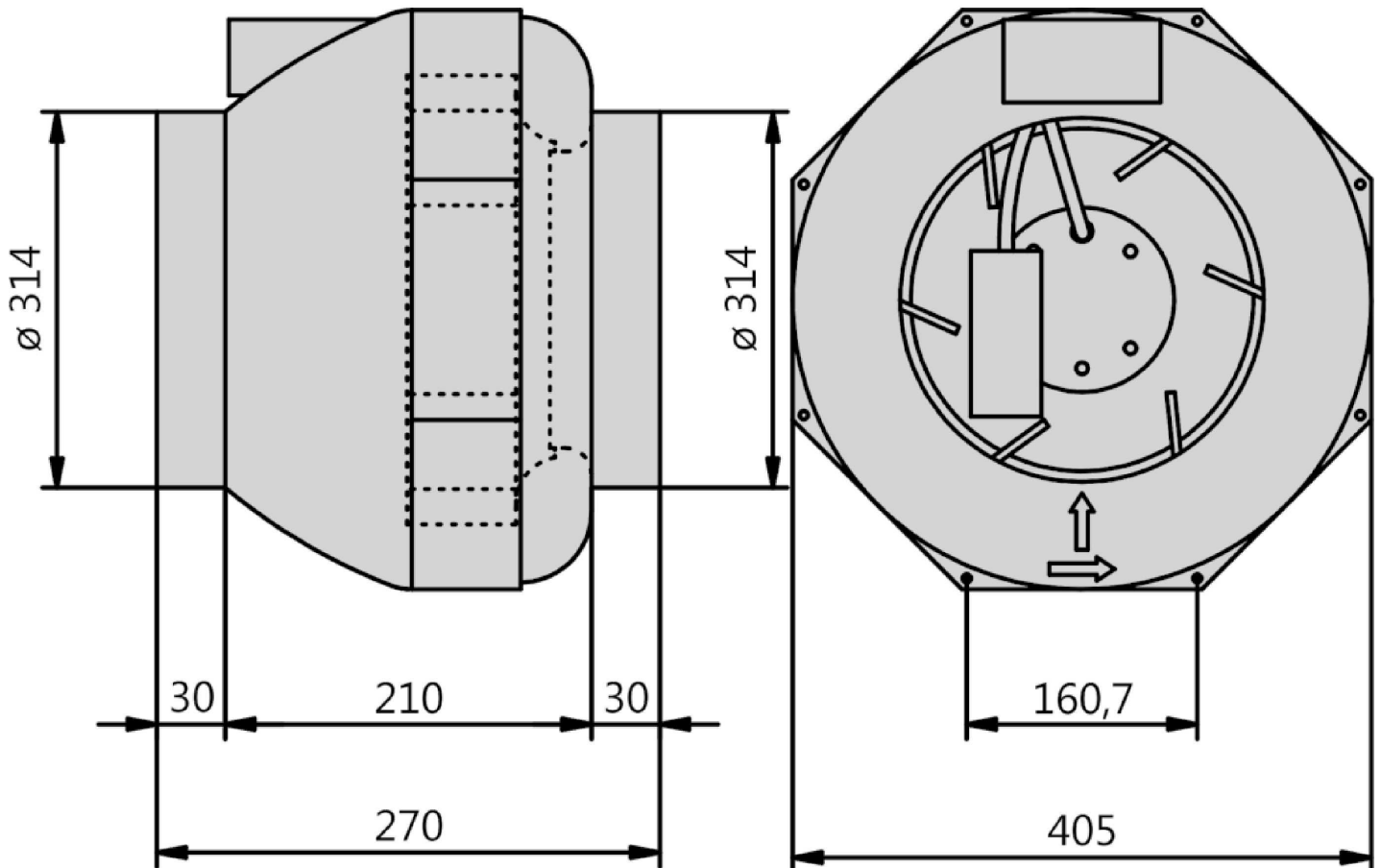
**Sound Data:**

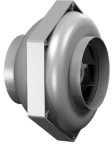
Frequency	Σ	125Hz	250Hz	500Hz	1kHz	2kHz	4kHz	8kHz	Distances	1 m	5 m
LwA(D,in) [dB(A)]	1	-23	-7	-5	-5	-7	-7	-16	LpA(D,in) [dB(A)]	-6	-17
LwA(D,out) [dB(A)]		-20	-8	-8	-7	-6	-11	-18	LpA(D,out) [dB(A)]	-7	-18
LwA(D,cas) [dB(A)]	-16	-31	-26	-23	-21	-22	-27	-34	LpA(D,cas) [dB(A)]	-23	-34



Type: **RS 315.3EF**

Part no.: F00-31554





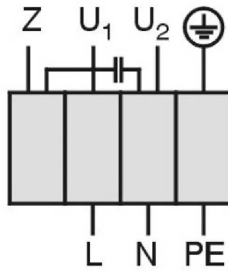
Type: **RS 315.3EF**  
Part no.: F00-31554



Einphasenwechselstrommotor mit Betriebskondensator und Thermostatschalter.  
Thermostatschalter intern mit der Wicklung in Reihe geschaltet.

**Single phase A.C. motor with operating capacitor and thermostatic switch.  
Thermostatic switch internal wired in series with windings.**

**Moteur monophasé avec condensateur permanent et interrupteur  
thermostatique en série avec le bobinage en cas de branchement**



U<sub>1</sub> blau / blue / bleu  
 U<sub>2</sub> schwarz / black / noir  
 Z braun / brown / brun  
 PE gelb-grün  
 yellow-green  
 jaun-vert

TK3-20005

01.009

### Tube fan

with casing made of plastic

The casing is made from shock-proof, recyclable plastic (PA 6.6 + GF) with integrated terminal box and the possibility to mount a bracket. Inlet and outlet side with duct connection for standard round ducts. Mounting either with horizontal or vertical motor shaft. Impeller made of galvanised steel with backward curved blades. Direct-driven single-phase alternating current motor and three-phase motor with class F insulation system. For single-phase motors, motor protection is provided by thermal contacts built into the winding and connected in series. Three-phase motors have no internal protection system and must be connected to an external protection system. When using an electronic voltage control unit or a frequency converter, a sine filter must be used. Maintenance-free ball bearings, closed on both sides, with long-term lubrication. Motorized Impeller statically and dynamically balanced according to DIN ISO 21940-11 with quality level G2.5. The electrical connection is mounted on the housing by a terminal box. Air volume control: possible by the use of an electronic speed controller or a step transformer (accessory).

Fan complies with the guidelines required (Machinery-, EMC- and Low Voltage Directive) to comply with installation and conformity declaration as well as CE marking.

### Nominal Data:

Voltage

1-230 V

Frequency

50 Hz

Input power

0,17 kW

Current

0,75 A

Speed

2690 r/min

Medium temperature

70 °C

Protection Mode

IP 44

Dimensions

275 mm / 405 mm / 405 mm

### Contact:

Rosenberg Ventilatoren BV

Elandlaan 8

NL - 3734 CP Den Dolder

[www.rosenberg.nl](http://www.rosenberg.nl)

### Type:

RS 315.3EF

### Article-No.:

F00-31554