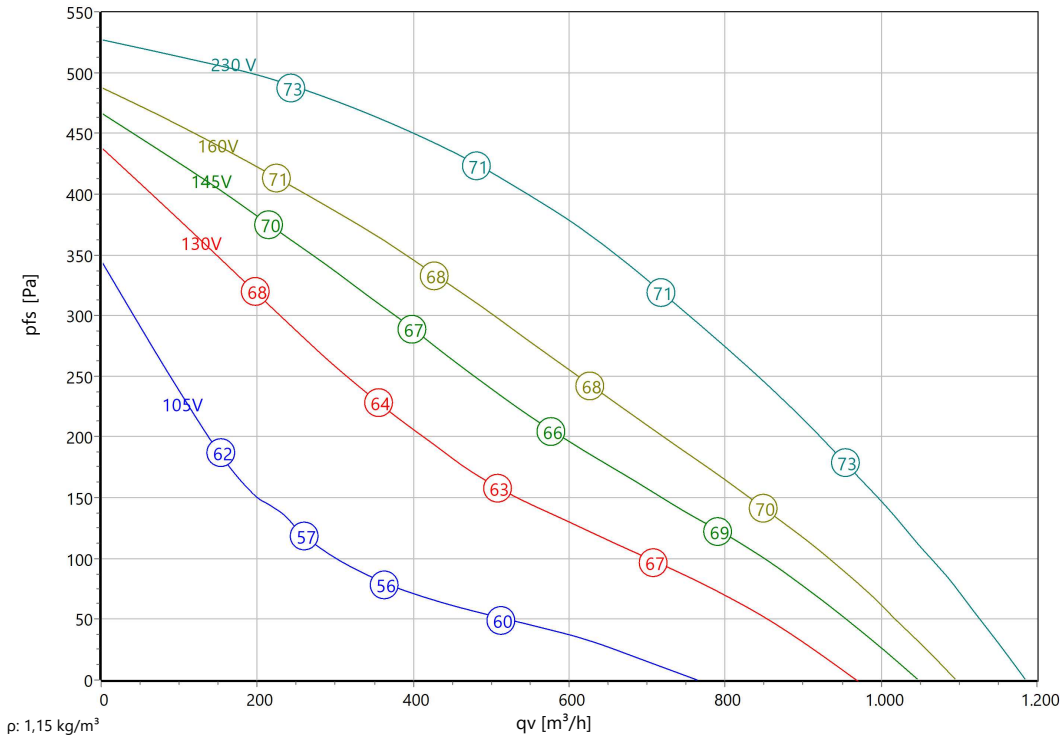


Type: **RS 315 M.3EF**

Part no.: F00-31563



**Curve:**



**ErP-Data:**

|           | (EU) Nr. 1253/2014 | (Lot6) |
|-----------|--------------------|--------|
| qV        | 619                | m³/h   |
| pfs       | 369                | Pa     |
| ηfs       | 37,3               | %      |
| Pe        | 0,17               | kW     |
| n         | 2703               | r/min  |
| N         | 48                 |        |
| v         | 2,21               | m/s    |
| ηfs Lot11 | 46,6               | %      |

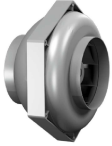
**Nominal Data:**

| U [V] | f [Hz] | C [μF] | Pe [kW] | IN [A] | nN [r/min] | tR [°C]    | k10 [m²s/h] | IA / IN | IP    | m [kg] |
|-------|--------|--------|---------|--------|------------|------------|-------------|---------|-------|--------|
| 1~230 | 50     | 6      | 0,17    | 0,75   | 2700       | -25 .. +70 | -           | 2       | IP 44 | 5,4    |

ΔI 16 %

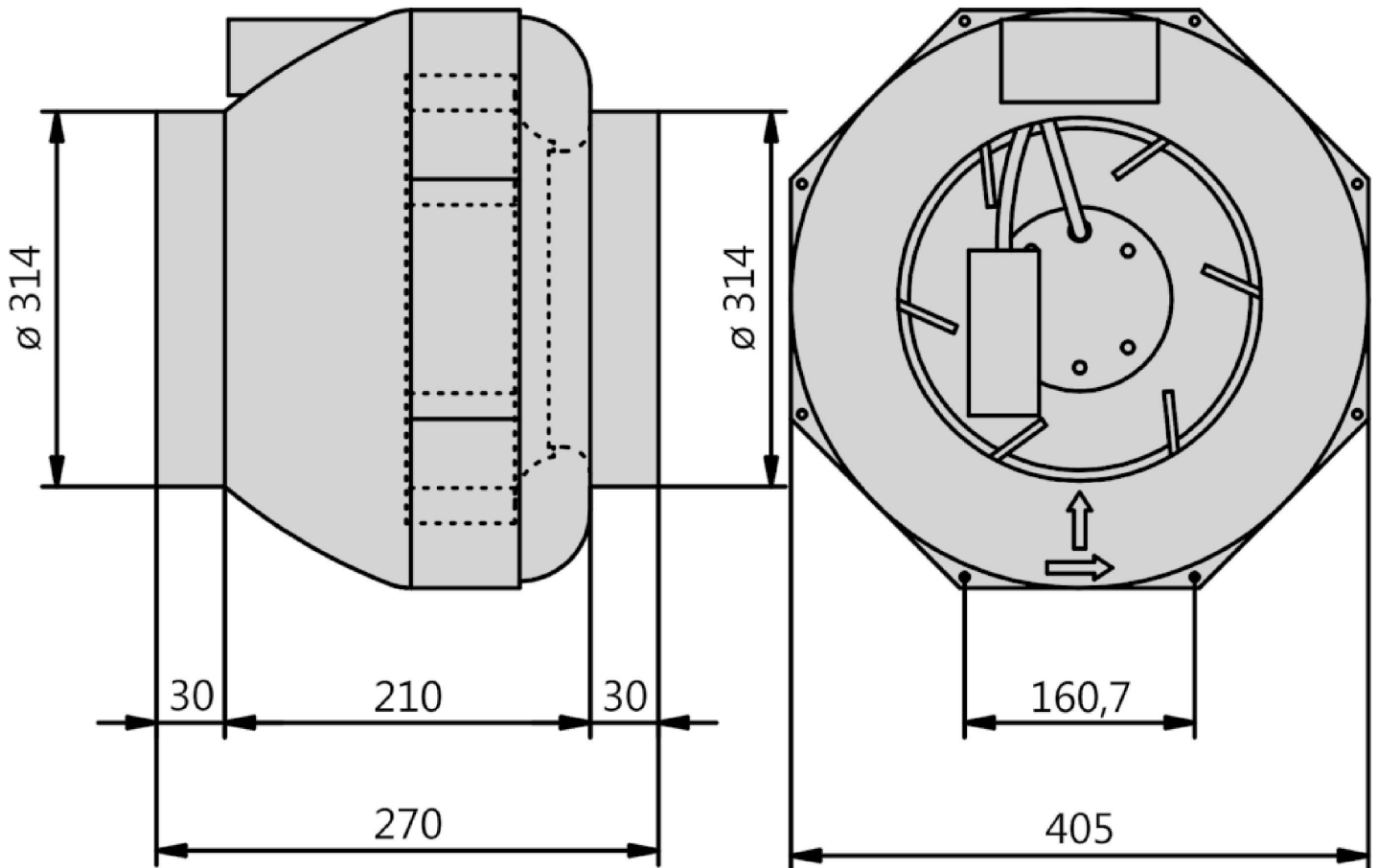
**Sound Data:**

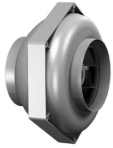
| Frequency          | Σ   | 63Hz | 125Hz | 250Hz | 500Hz | 1kHz | 2kHz | 4kHz | 8kHz | Distances          | 1 m | 5 m |
|--------------------|-----|------|-------|-------|-------|------|------|------|------|--------------------|-----|-----|
| LwA(D,in) [dB(A)]  | 2   | -31  | -12   | -6    | -4    | -3   | -7   | -9   | -14  | LpA(D,in) [dB(A)]  | -5  | -16 |
| LwA(D,out) [dB(A)] |     | -33  | -15   | -9    | -7    | -6   | -6   | -9   | -18  | LpA(D,out) [dB(A)] | -7  | -18 |
| LwA(D,cas) [dB(A)] | -17 | -43  | -27   | -26   | -23   | -23  | -24  | -29  | -42  | LpA(D,cas) [dB(A)] | -24 | -35 |



Type: **RS 315 M.3EF**

Part no.: F00-31563





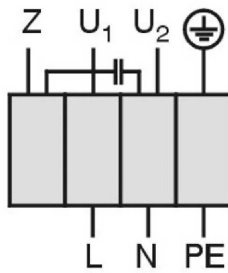
Type: **RS 315 M.3EF**  
 Part no.: F00-31563



Einphasenwechselstrommotor mit Betriebskondensator und Thermostatschalter.  
 Thermostatschalter intern mit der Wicklung in Reihe geschaltet.

**Single phase A.C. motor with operating capacitor and thermostatic switch.  
 Thermostatic switch internal wired in series with windings.**

**Moteur monophasé avec condensateur permanent et interrupteur  
 thermostatique en série avec le bobinage en cas de branchement**



U<sub>1</sub> blau / blue / bleu  
 U<sub>2</sub> schwarz / black / noir  
 Z braun / brown / brun  
 PE gelb-grün  
 yellow-green  
 jaun-vert

TK3-20005

01.009

### Tube fan

with casing made of plastic

The casing is made from shock-proof, recyclable plastic (PA 6.6 + GF) with integrated terminal box and the possibility to mount a bracket. Inlet and outlet side with duct connection for standard round ducts. Mounting either with horizontal or vertical motor shaft. Impeller made of galvanised steel with backward curved blades. Direct-driven single-phase alternating current motor and three-phase motor with class F insulation system. For single-phase motors, motor protection is provided by thermal contacts built into the winding and connected in series. Three-phase motors have no internal protection system and must be connected to an external protection system. When using an electronic voltage control unit or a frequency converter, a sine filter must be used. Maintenance-free ball bearings, closed on both sides, with long-term lubrication. Motorized Impeller statically and dynamically balanced according to DIN ISO 21940-11 with quality level G2.5. The electrical connection is mounted on the housing by a terminal box. Air volume control: possible by the use of an electronic speed controller or a step transformer (accessory).

Fan complies with the guidelines required (Machinery-, EMC- and Low Voltage Directive) to comply with installation and conformity declaration as well as CE marking.

### Nominal Data:

Voltage

1~230 V

Frequency

50 Hz

Input power

0,17 kW

Current

0,75 A

Speed

2700 r/min

Medium temperature

70 °C

Protection Mode

IP 44

Weight

5,4 kg

Dimensions

275 mm / 405 mm / 405 mm

### Contact:

Rosenberg Ventilatoren BV

Elandlaan 8

NL - 3734 CP Den Dolder

[www.rosenberg.nl](http://www.rosenberg.nl)

### Type:

RS 315 M.3EF

### Article-No.:

F00-31563