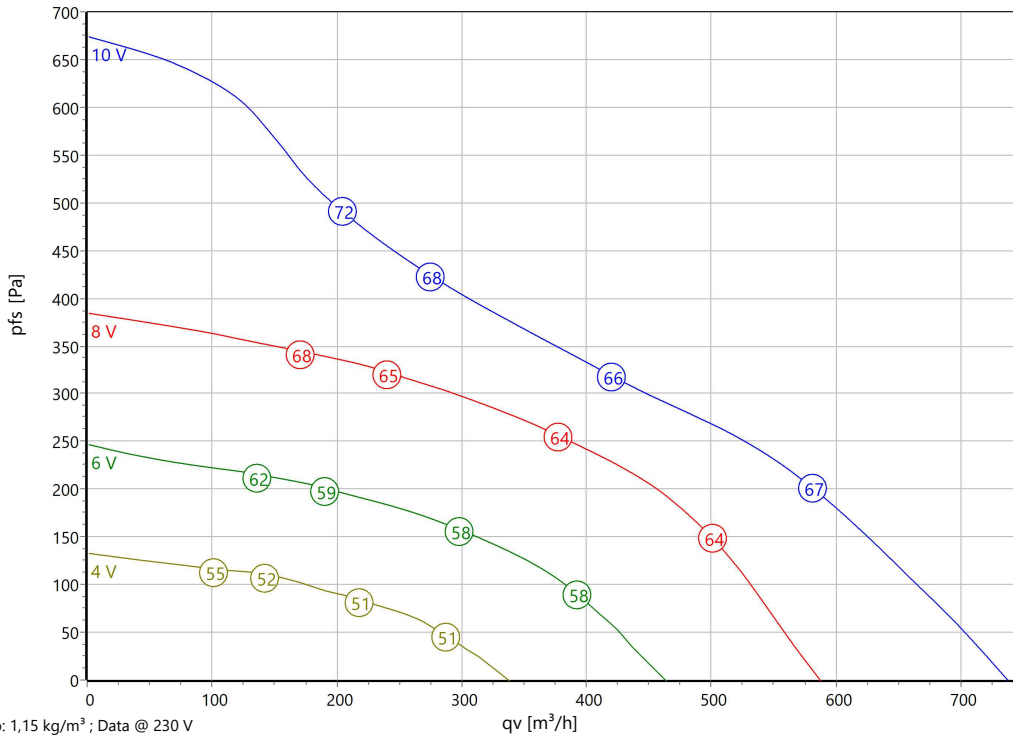




Type: **R 160 G.2BK**
 Part no.: F02-16002



Curve:



p: 1,15 kg/m³ ; Data @ 230 V

ErP-Data:

	(EU) Nr. 1253/2014	(Lot6)
qV	457	m³/h
pfs	295	Pa
ηfs	42,6	%
Ped	0,0881	kW
n	3262	r/min
N	58	
v	6,32	m/s

Nominal Data:

U [V]	f [Hz]	Data @ [V]	Ped [kW]	IN [A]	nN [r/min]	tR [°C]	k10 [m²s/h]	IA / IN	IP	m [kg]
1~200-240	50/60	230	0,089	0,75	3260	-20 .. +60	-	-	IP 54	3,2

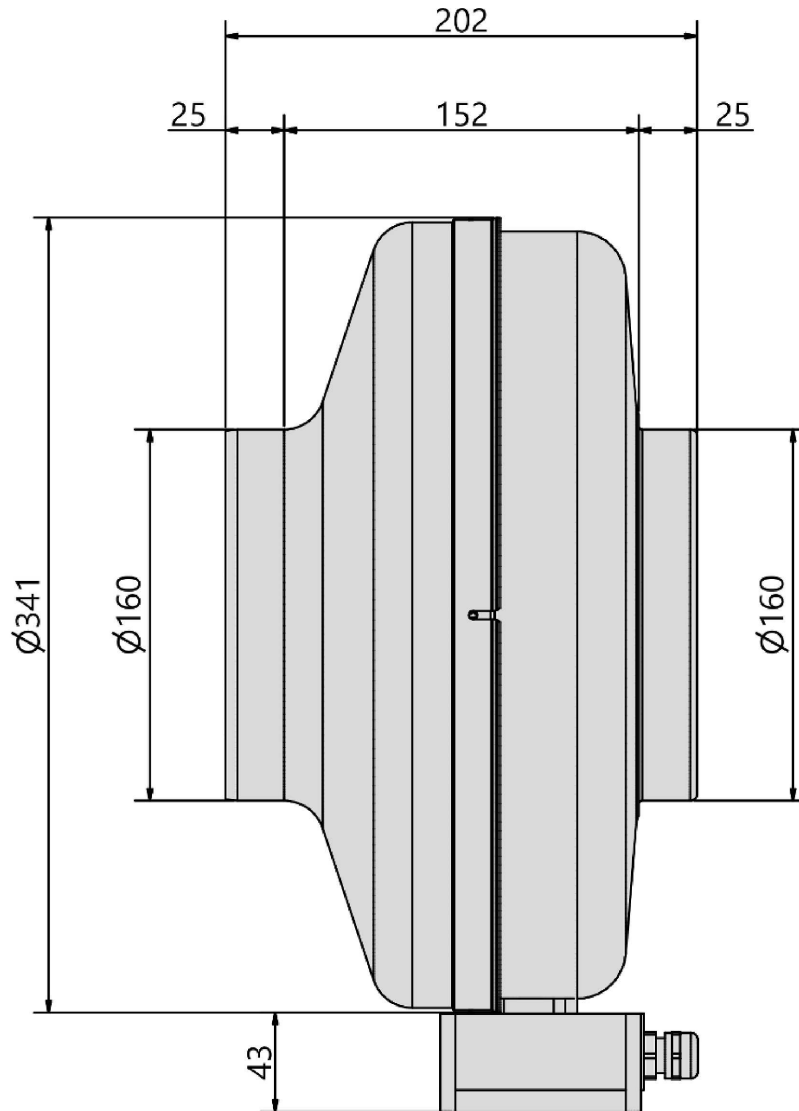
Sound Data:

Frequency	Σ	63Hz	125Hz	250Hz	500Hz	1kHz	2kHz	4kHz	8kHz	Distances	1 m	5 m
LwA(D,in) [dB(A)]	1	-42	-23	-9	-7	-5	-5	-6	-13	LpA(D,in) [dB(A)]	-6	-17
LwA(D,out) [dB(A)]		-38	-20	-9	-9	-7	-5	-7	-17	LpA(D,out) [dB(A)]	-7	-18
LwA(D,cas) [dB(A)]	-18	-42	-27	-25	-26	-24	-25	-31	-38	LpA(D,cas) [dB(A)]	-25	-36



Type: **R 160 G.2BK**

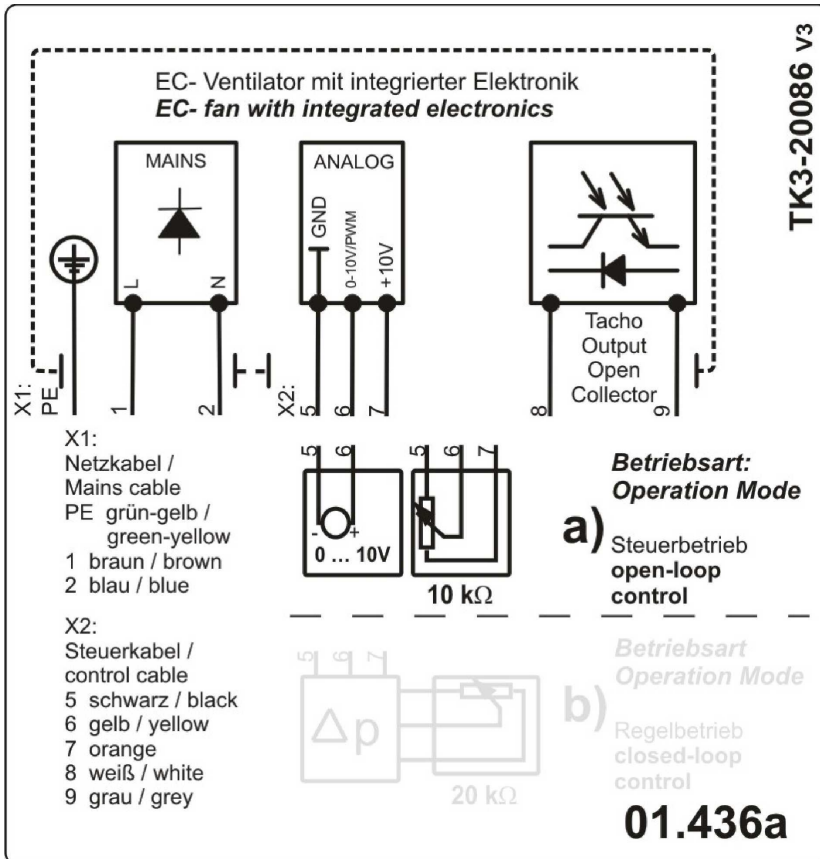
Part no.: F02-16002





Type: **R 160 G.2BK**

Part no.: F02-16002



Tube fan

with casing made of galvanized sheet steel

The Casing is made from galvanized sheet steel. Inlet and outlet side with duct connection for standard round ducts. Mounting either with horizontal or vertical motor shaft. Impeller made of Polypropylene (PP) UL94 V-0 with backward curved blades. Energy saving EC external-rotor motor. Maintenance free ball bearings, closed on both sides with long-term lubrication. Motor coated black and/or electrogalvanized. Cable for supply and controlling connection. 100% speed controllable with integrated Motor Protection. Soft Start. Applicable in all common energy grids. Motorized Impeller statically and dynamically balanced according to DIN ISO 21940-11 with quality level G2.5. The electrical connection is mounted on the housing by a IP44 terminal box. Air volume control is possible over an 0-10V Signal (accessory).

Fan complies with the guidelines required (Machinery-, EMC- and Low Voltage Directive) to comply with installation and conformity declaration as well as CE marking.

Nominal Data:

Voltage

1~200-240 V

Frequency

50/60 Hz

Input power

0,089 kW

Current

0,75 A

Speed

3260 r/min

Medium temperature

60 °C

Protection Mode

IP 54

Weight

3,2 kg

Dimensions

202 mm / 341 mm / 341 mm

Contact:

Rosenberg Ventilatoren BV

Elandlaan 8

NL - 3734 CP Den Dolder

www.rosenberg.nl

Type:

R 160 G.2BK

Article-No.:

F02-16002